

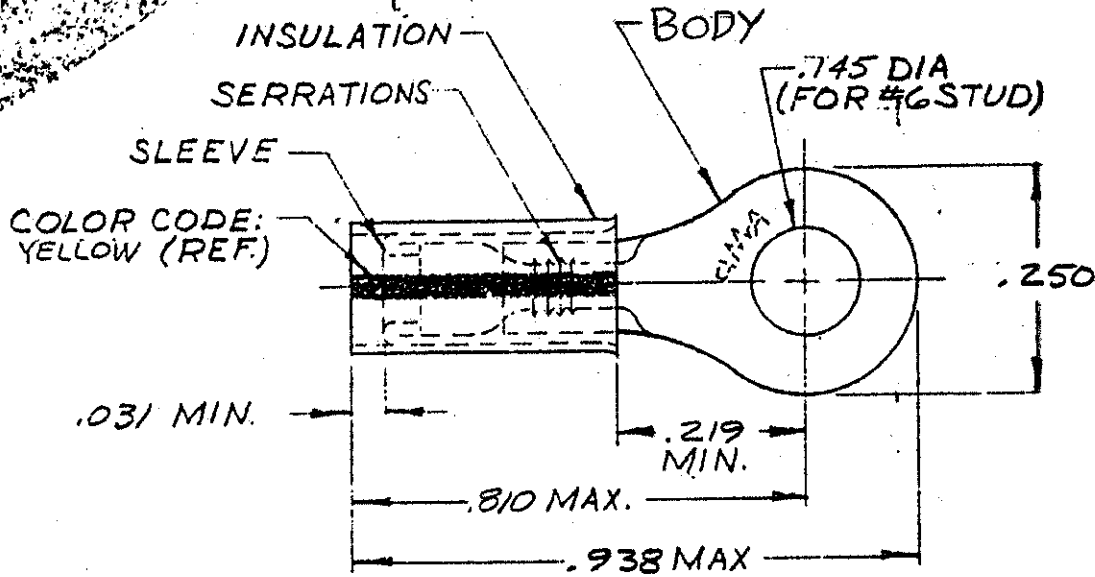
LOC G D.F.S.J 14

DRAWING MADE IN THIRD ANGLE PROJECTION

© COPYRIGHT 1978 BY AMP INCORPORATED, HARRISBURG, PA. ALL INTERNATIONAL RIGHTS RESERVED. AMP INCORPORATED PRODUCTS COVERED BY U.S. AND FOREIGN PATENTS AND OR PATENTS PENDING.

REVISIONS			
LTR	DESCRIPTION	DATE	APPROVED
G	REV PER 063A-0246-99	15 Nov 79	NR/CP
H	REV PER 063A-0582-04	9/04	NR/TM

54593-1



TONGUE MATERIAL THK. = .039 ± .002 FOR .150 TO .230 WIRE INS. DIA.

BODY: COPPER ASTM B152,
‡ TIN/LEAD (93-7) PLATE PER
‡ ASTM B545 (3% MIN LEAD CONTENT)
SLEEVE:

54593-1

INSULATION: PVF₂
COLOR: TRANSLUCENT

MATERIAL & FINISH	PART NO. ON TAPE	PART NO
-------------------	------------------	---------

UNLESS OTHERWISE SPECIFIED DIMENSIONS ARE IN INCHES. TOLERANCES ON: DECIMALS ±.008 ANGLES ±5°	CONTRACT NO	AMP INCORPORATED Harrisburg, Pa.
	OR C. Kuster 3-2-78	
MATERIAL	CHK T. J. 3-2-78	NAME WIRE TERMINAL
SEE TABLE	APPD	PVF ₂ - PIDG - RING TONGUE
FINISH	DSGN APPD J. P. Benschaw 3-2-78	WIRE SIZE: 12-10
SEE TABLE	OTHER APPD	SIZE A
		CODE IDENT NO 00779
		NUMBER 54593
		SCALE NTS
		SHEET 1 OF 1