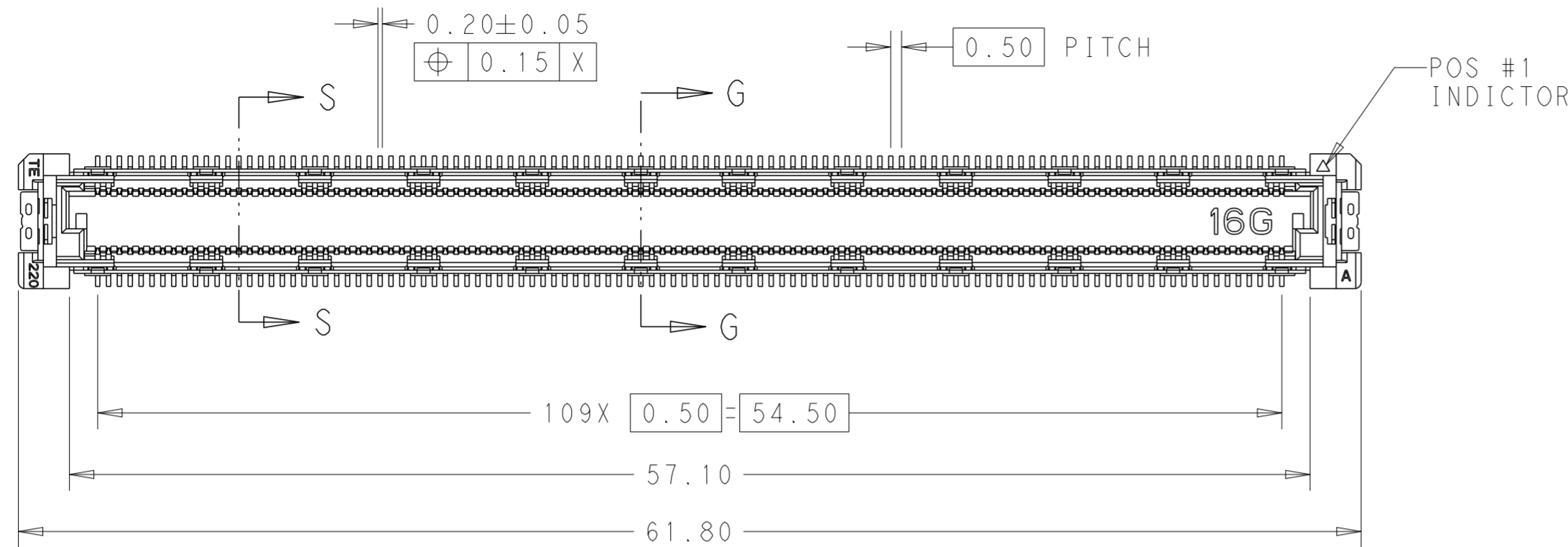
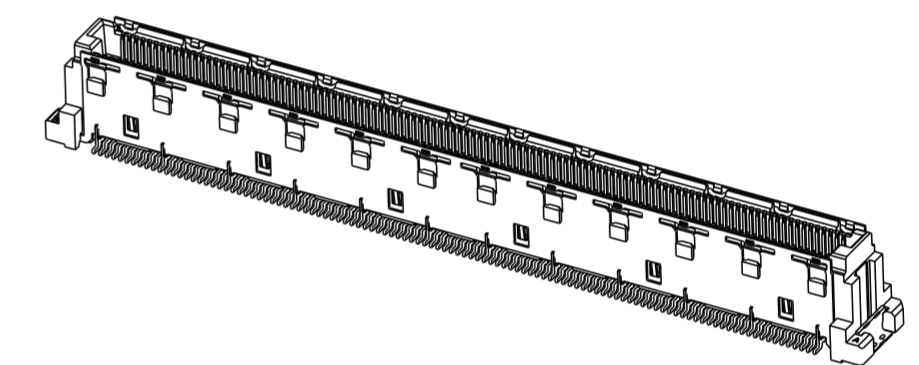
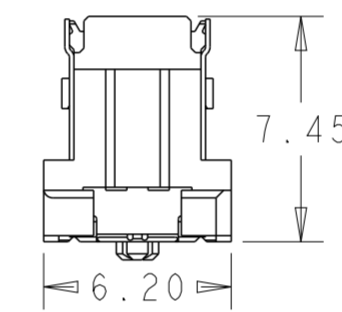
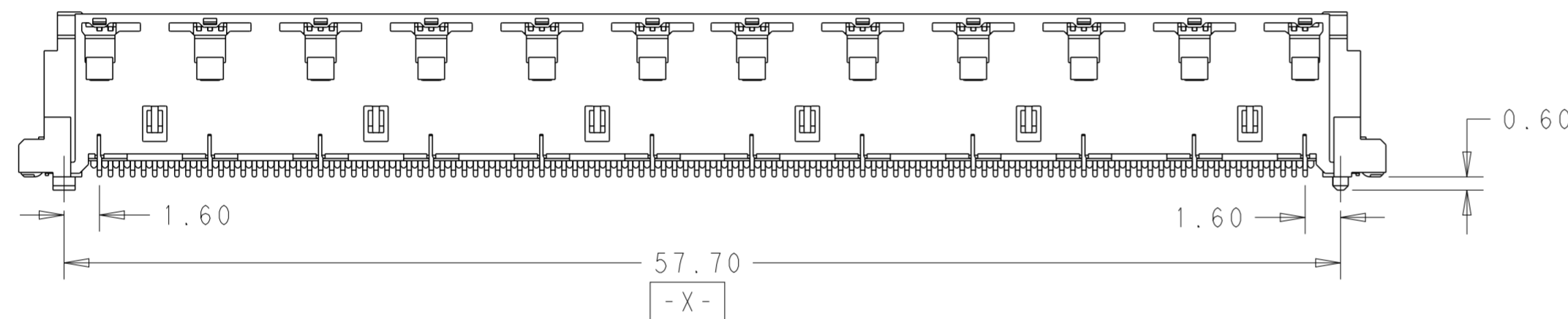


| REVISIONS | | | | |
|-----------|-----|---------------------------|-----------|---------|
| P | LTR | DESCRIPTION | DATE | APVD |
| 3 | | CORRECT NOTE DESCRIPTION | 01APR2020 | A.L H.L |
| A | | FORMAL RELEASE | 13OCT2020 | A.L H.L |
| A1 | | REVISED PER ECN-22-134287 | 12JAN2022 | A.L H.L |
| B | | ADD NEW PN | 09JAN2023 | M.C H.L |

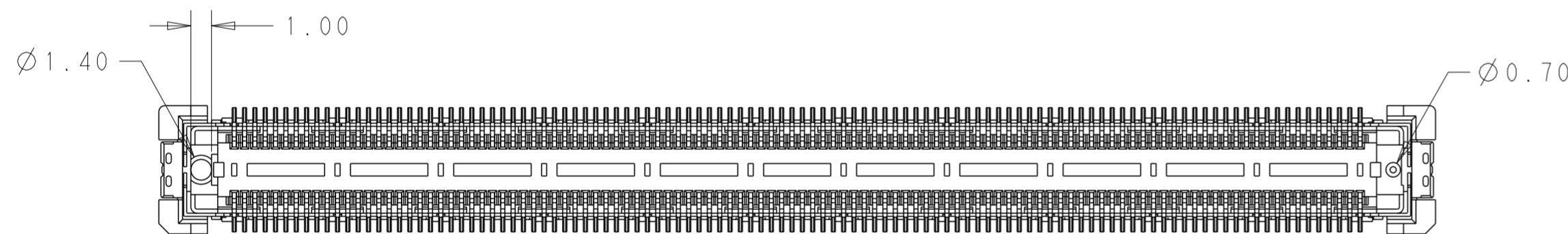


NOTES:

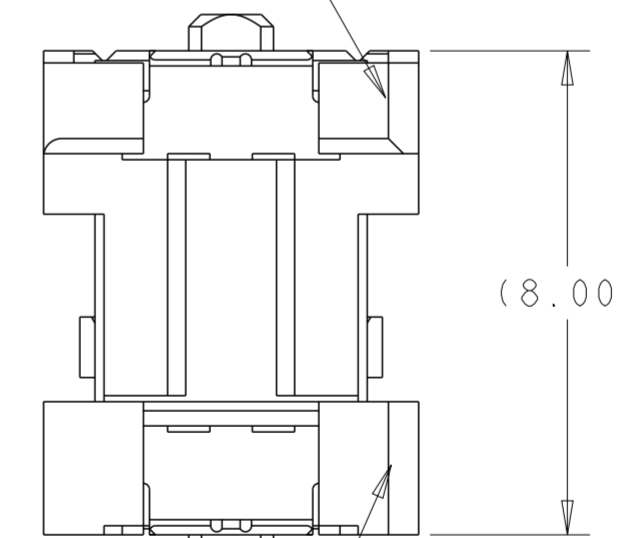
- MATERIAL
 HOUSING : HIGH TEMP THERMO PLASTIC UL94V-0
 CONTACT : COPPER ALLOY
 SOLDER PEG : COPPER ALLOY
 GROUND PLATE : COPPER ALLOY
- FINISH
 UNDERPLATED : 1.27um MIN. NICKEL ALL OVER
 CONTACT MATING AREA : MEETS THE PERFORMANCE REQUIREMENTS OF TE CONNECTIVITY PRODUCT SPECIFICATION 108-32658.
 SOLDER AREA : MATTE TIN



SCALE 2:1

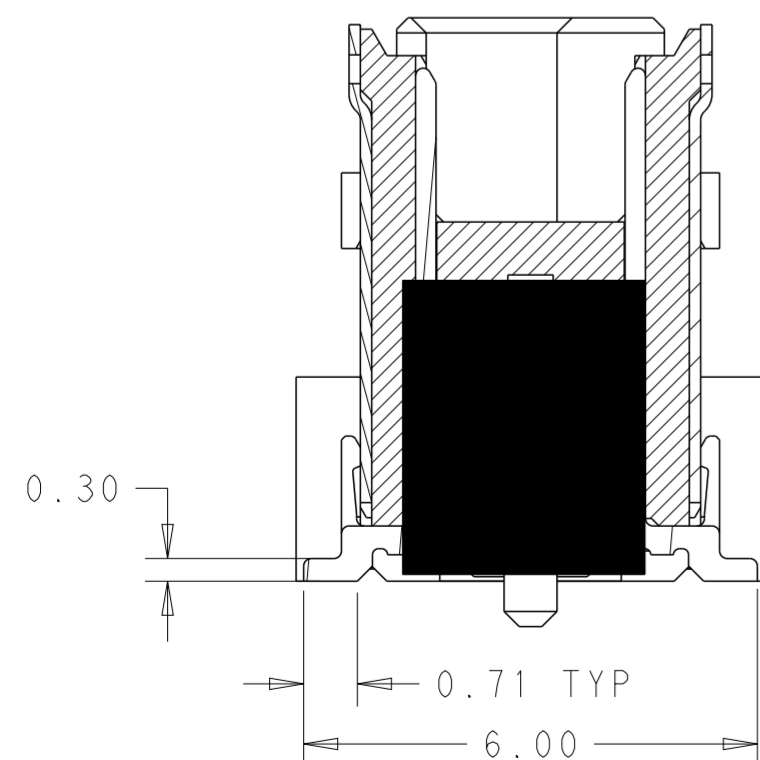


PLUG CONNECTOR
 P/N: 2357798-*

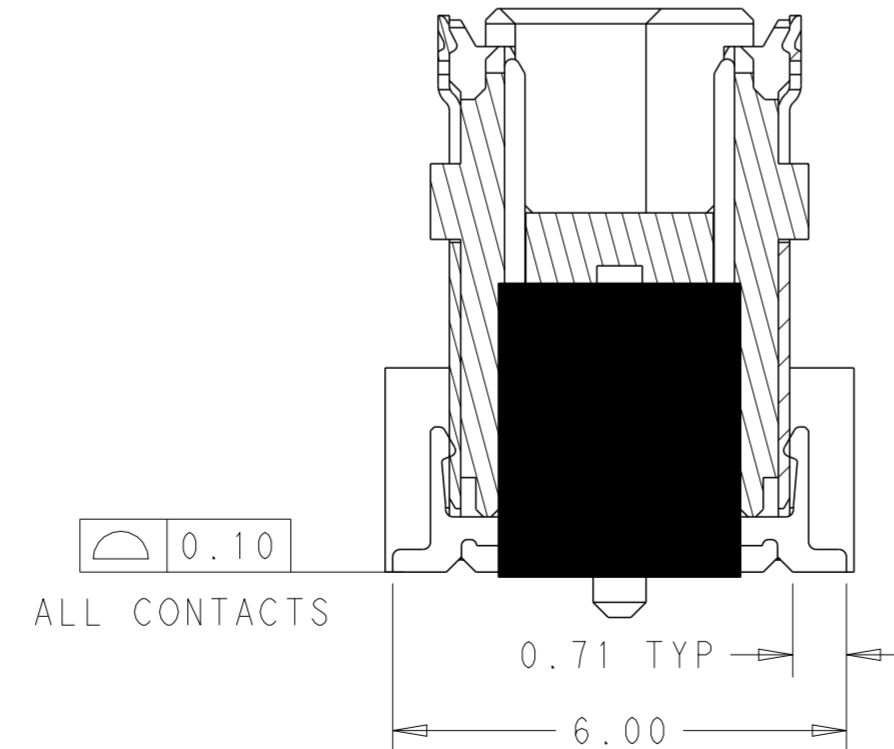


REC CONNECTOR
 P/N: 2357739-*
 SCALE 8:1

FULL-MATED CONDITION



SECTION S-S
 SCALE 10:1
 (SIGNAL CONTACTS)

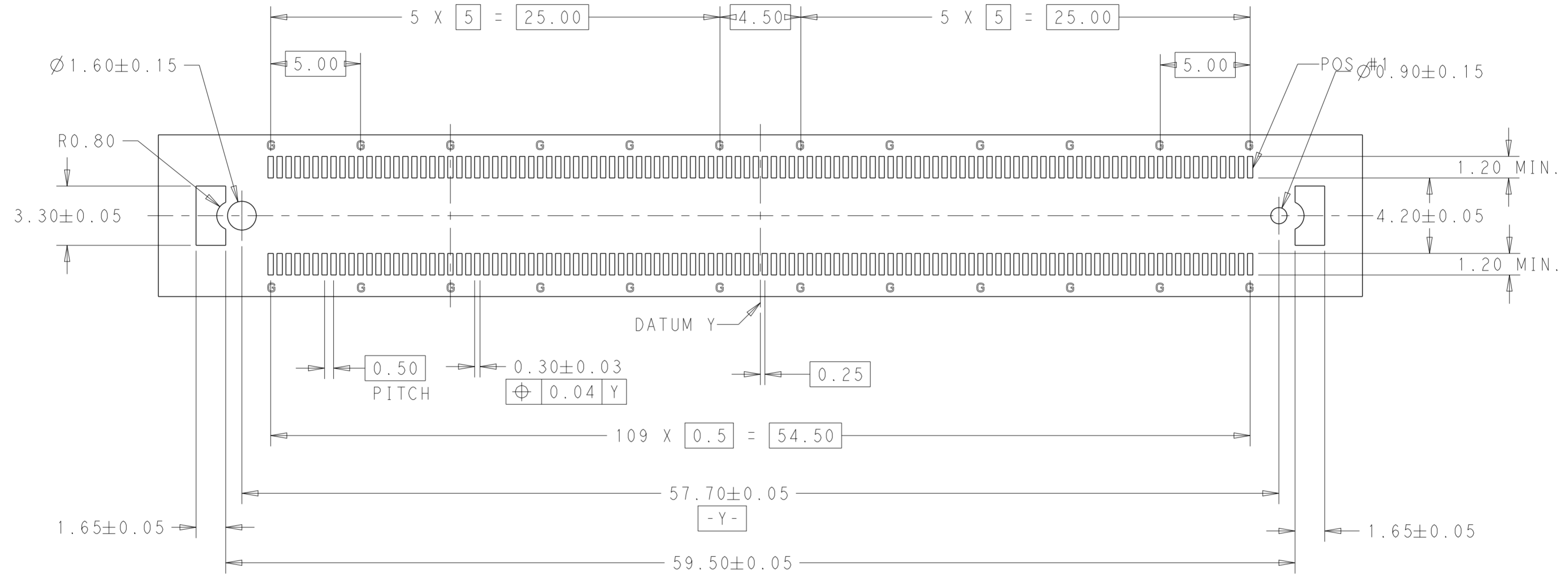


ALL CONTACTS
 SECTION G-G
 SCALE 10:1
 (GROUND CONTACTS)

| SIZE | PACKAGE | WITH | P/N |
|------------------------------|-------------|---------|-----------|
| 30u" | HARD TRAY | WITH | 2357798-6 |
| 8u" | TAPE & REEL | WITHOUT | 2357798-4 |
| 8u" | TAPE & REEL | WITH | 2357798-3 |
| 8u" | HARD TRAY | WITH | 2357798-2 |
| 8u" | HARD TRAY | WITHOUT | 2357798-1 |
| MATING ZONE PRECIOUS PLATING | PACKAGE | CAP | P/N |

| | | | | |
|--|--------------|-----------------------------|--------------------------|-----------------|
| THIS DRAWING IS A CONTROLLED DOCUMENT. | | DWN ART LIN 24JUN2019 | TE Connectivity | |
| DIMENSIONS: mm | | CHK HOPE LU 10OCT2019 | | |
| TOLERANCES UNLESS OTHERWISE SPECIFIED: | | APVD HOPE LU 10OCT2019 | NAME 8H PLUG ASSY 220POS | |
| 0 PLC ±1 | 1 PLC ±0.3 | PRODUCT SPEC 108-32658 | FH 0.5MM BTB 16Gbps | |
| 2 PLC ±0.15 | 3 PLC ±0.050 | APPLICATION SPEC 114-115003 | WITH G-PLATE | |
| 4 PLC ±0.0250 | ANGLES ±3° | WEIGHT - | SIZE A2 | CAGE CODE 00779 |
| MATERIAL - | FINISH - | CUSTOMER DRAWING | DRAWING NO C-2357798 | RESTRICTED TO - |
| SEE NOTE 1 | SEE NOTE 2 | SCALE 1:1 | SHEET 1 OF 6 | REV B |

| P | LTR | DESCRIPTION | DATE | DWN | APVD |
|---|-----|-------------|------|-----|------|
| - | | SEE SHEET 1 | - | - | - |
| | | | | | |
| | | | | | |

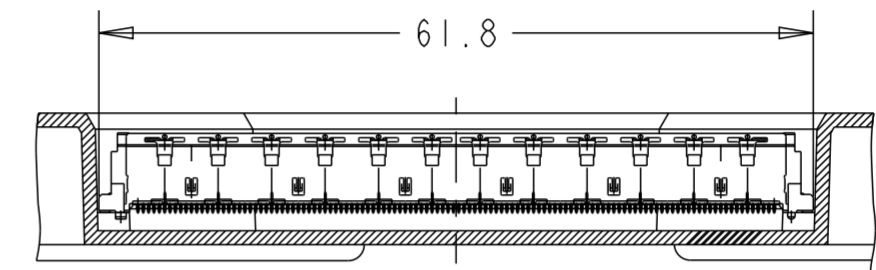
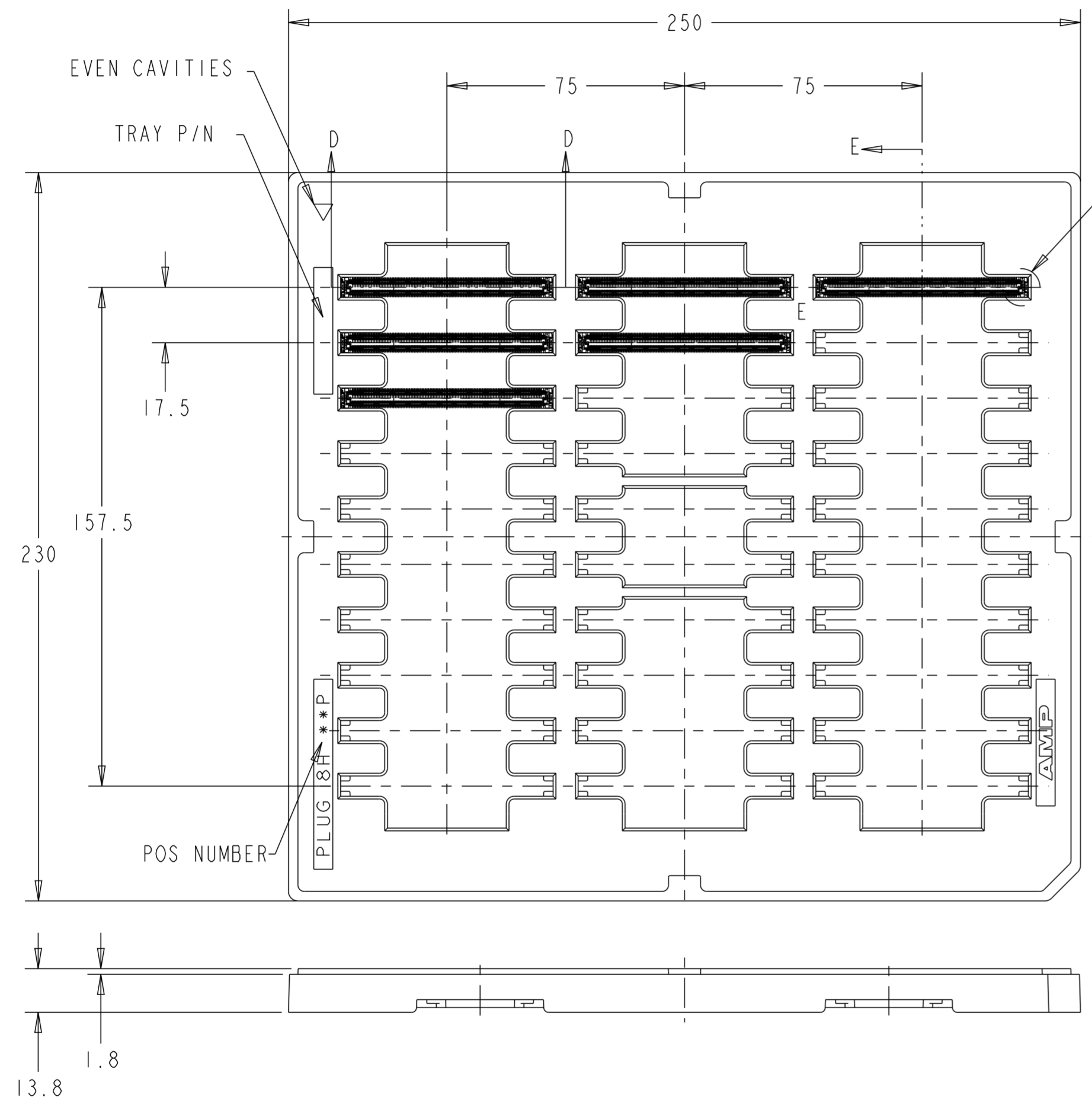


REFERENCE P.C. BOARD LAYOUT
G: GROUND

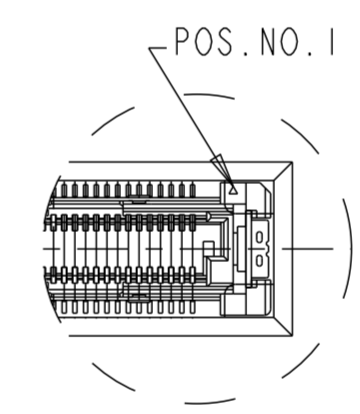
| | | | | |
|--|--|--------------------------------|--|----------------------------------|
| THIS DRAWING IS A CONTROLLED DOCUMENT. | | DWN ART LIN 24JUN2019 | TE Connectivity | |
| DIMENSIONS: mm | | CHK HOPE LU 10OCT2019 | | |
| TOLERANCES UNLESS OTHERWISE SPECIFIED: | | APVD HOPE LU 10OCT2019 | NAME 8H PLUG ASSY 220POS FH 0.5MM BTB 16Gbps WITH G-PLATE | |
| 0 PLC ±1 1 PLC ±0.3 2 PLC ±0.15 3 PLC ±0.050 4 PLC ±0.0250 ANGLES ±3° | | PRODUCT SPEC 108-32658 | SIZE A200779 | |
| MATERIAL - SEE NOTE 1 | | APPLICATION SPEC 114-115003 | CAGE CODE C-2357798 | DRAWING NO - RESTRICTED TO |
| FINISH - SEE NOTE 2 | | WEIGHT - | SCALE 1:1 | SHEET 2 OF 6 |
| CUSTOMER DRAWING | | REV B | | |

WITHOUT PICK UP CAP
2357798-1

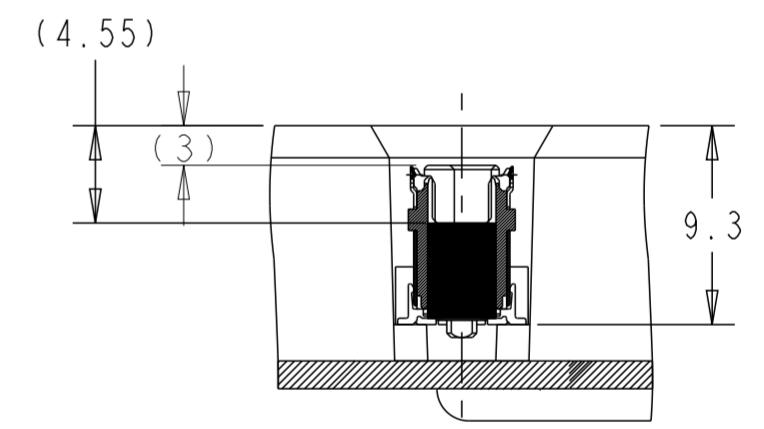
| REVISIONS | | | | |
|-----------|-----|-------------|------|------|
| P | LTR | DESCRIPTION | DATE | APVD |
| - | | SEE SHEET 1 | - | - |
| | | | | |
| | | | | |



SECT. D-D
(SCALE 2:1)
(CONNECTOR NOT SECTION)



DETAIL C
(SCALE 2:1)

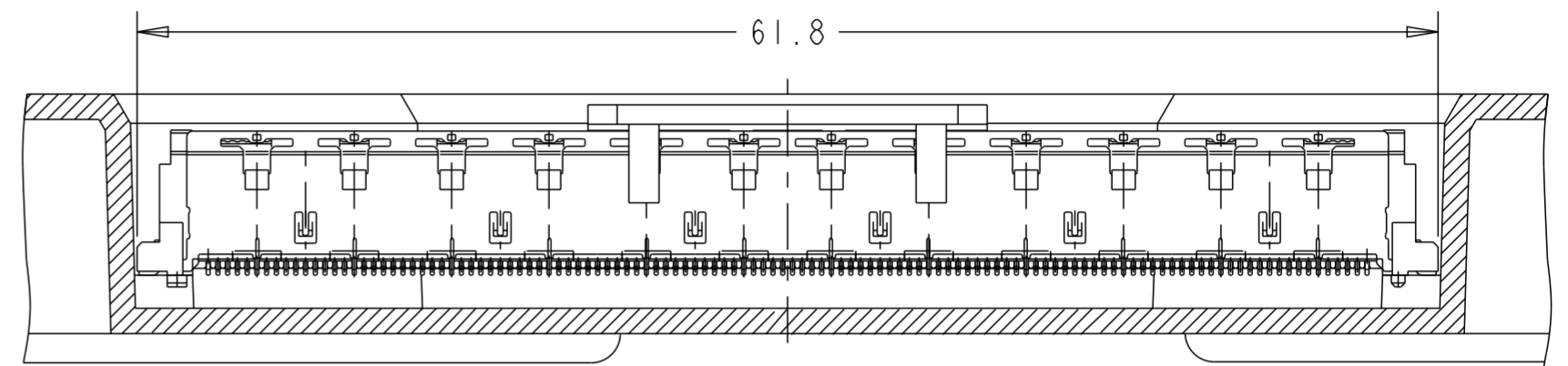
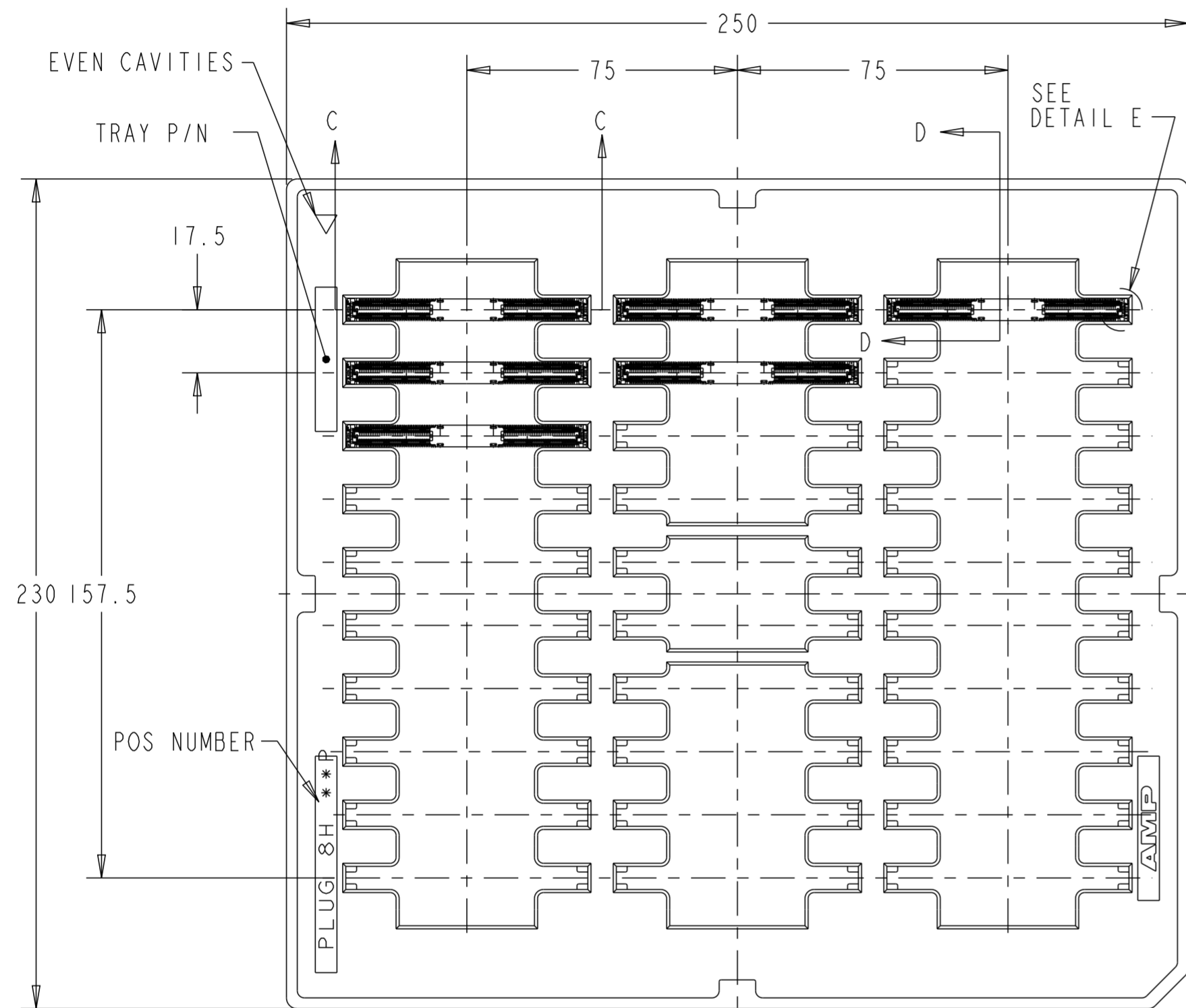


SECT. E-E
(SCALE 2:1)

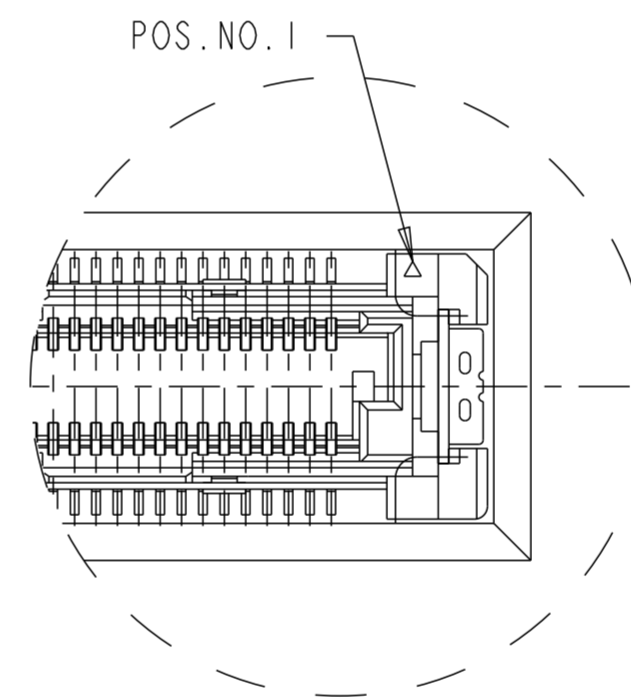
| | | | | |
|--|--|--------------------------------|--|--|
| THIS DRAWING IS A CONTROLLED DOCUMENT. | | DWN ART LIN 24JUN2019 | TE Connectivity | |
| DIMENSIONS: mm | | CHK HOPE LU 10OCT2019 | | |
| TOLERANCES UNLESS OTHERWISE SPECIFIED: | | APVD HOPE LU 10OCT2019 | NAME 8H PLUG ASSY 220POS FH 0.5MM BTB 16Gbps WITH G-PLATE | |
| 0 PLC ±1 | | PRODUCT SPEC 108-32658 | SIZE A200779 | |
| 1 PLC ±0.3 | | APPLICATION SPEC 114-115003 | CAGE CODE C-2357798 | |
| 2 PLC ±0.15 | | WEIGHT - | DRAWING NO - | |
| 3 PLC ±0.050 | | RESTRICTED TO - | | |
| 4 PLC ±0.0250 | | SCALE 1:1 SHEET 3 OF 6 REV B | | |
| ANGLES ±3° | | CUSTOMER DRAWING | | |
| FINISH - | | | | |
| MATERIAL - | | | | |
| SEE NOTE 1 | | | | |
| SEE NOTE 2 | | | | |

WITH PICK UP CAP
2357798-2&6

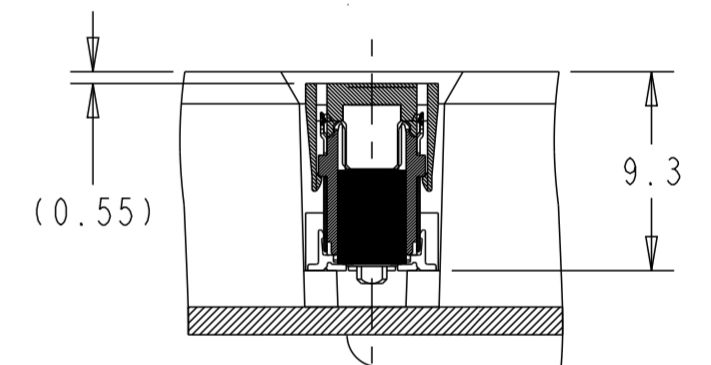
| REVISIONS | | | | |
|-----------|-----|-------------|------|------|
| P | LTR | DESCRIPTION | DATE | APVD |
| - | | SEE SHEET 1 | - | - |
| | | | | |
| | | | | |



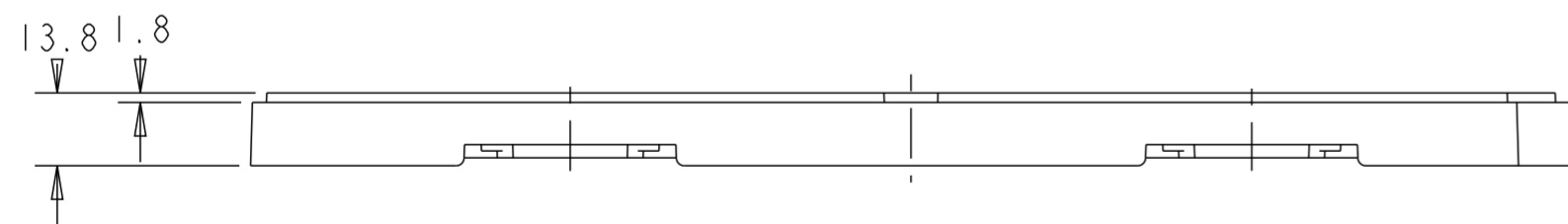
SECT. C-C
(SCALE 2:1)



DETAIL E
(SCALE 4:1)



SECT. D-D
(SCALE 2:1)

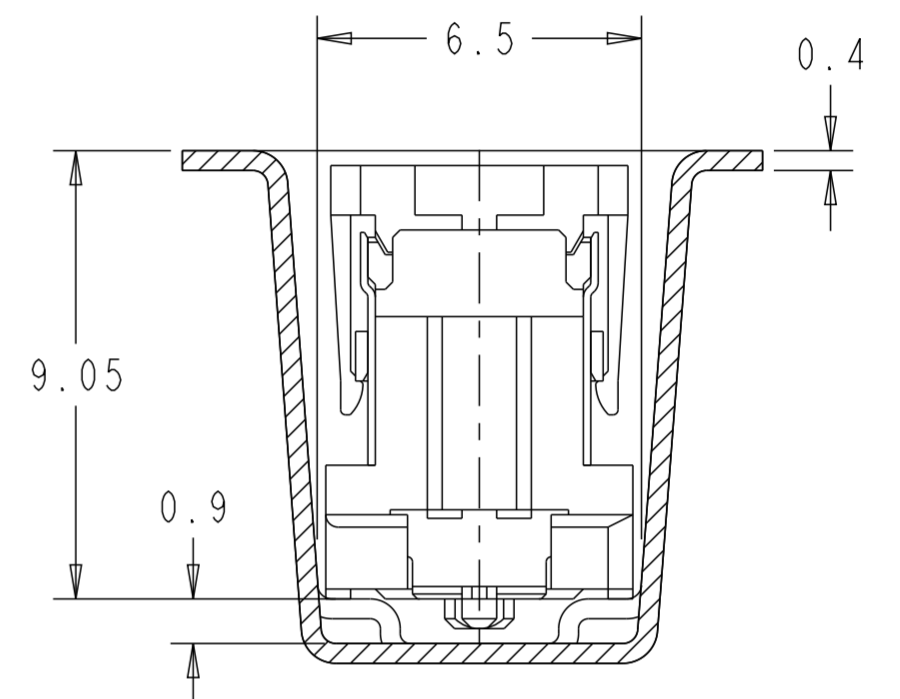
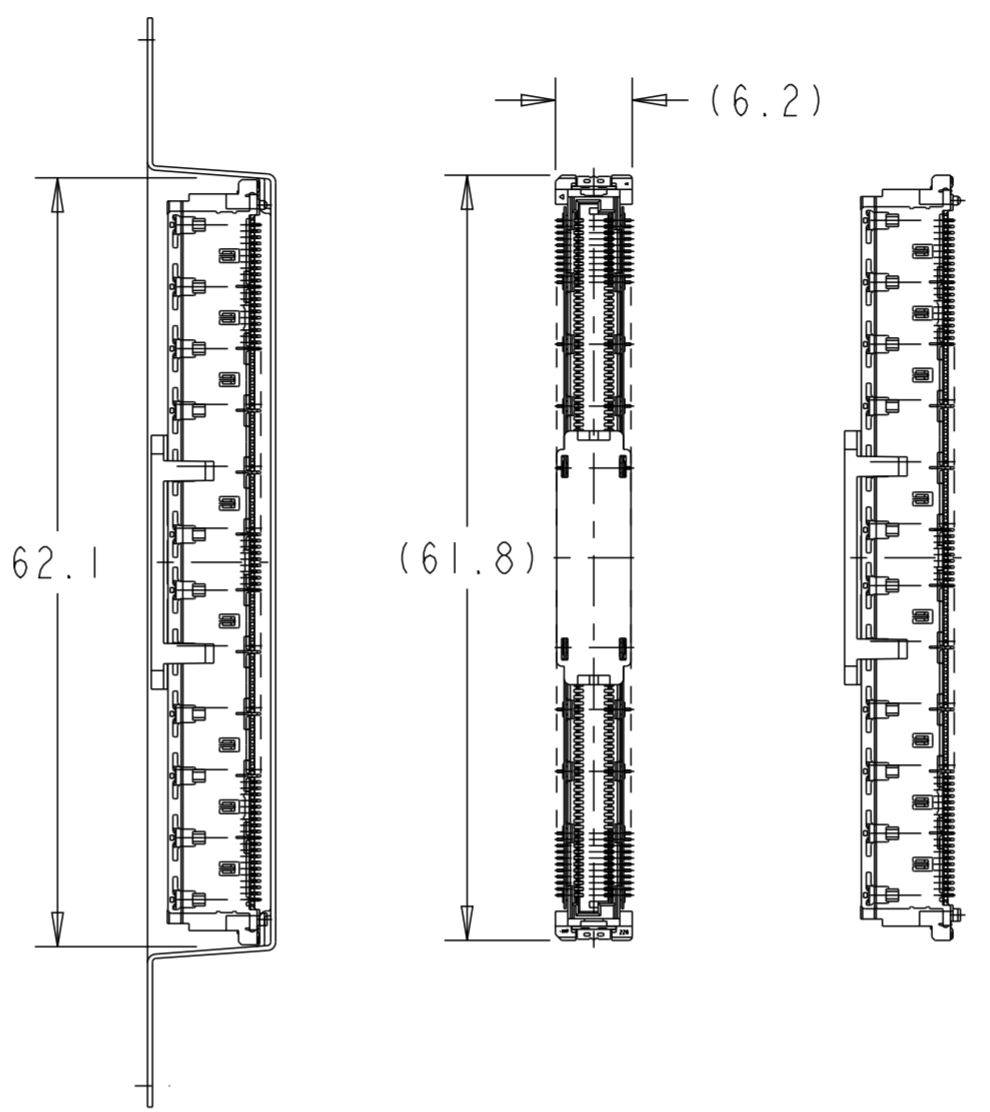
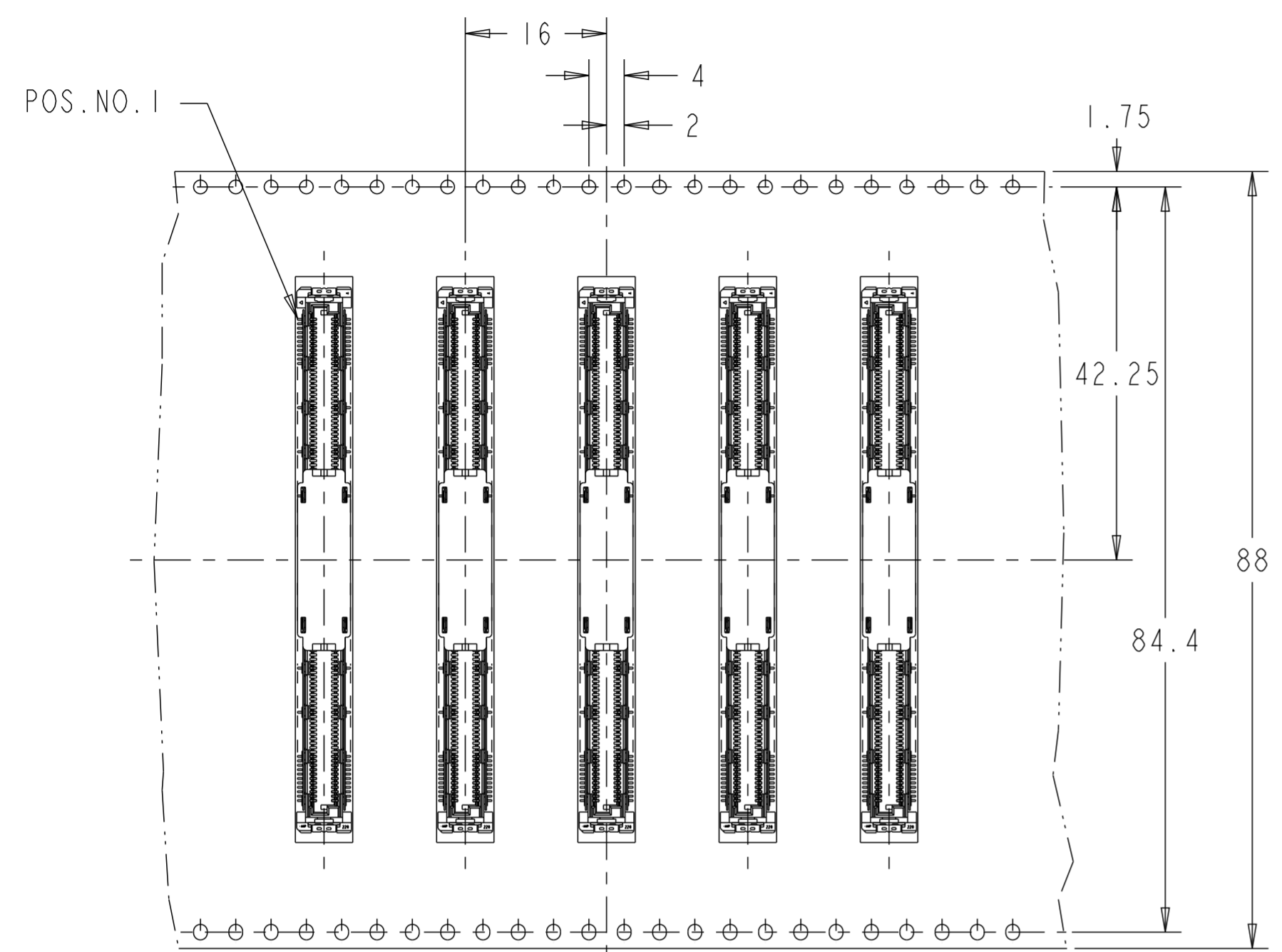


| | | | | |
|--|--------------|--------------------------------|--|--------------------|
| THIS DRAWING IS A CONTROLLED DOCUMENT. | | DWN ART LIN 24JUN2019 | TE Connectivity | |
| DIMENSIONS: mm | | CHK HOPE LU 10OCT2019 | | |
| TOLERANCES UNLESS OTHERWISE SPECIFIED: | | APVD HOPE LU 10OCT2019 | NAME 8H PLUG ASSY 220POS FH 0.5MM BTB 16Gbps WITH G-PLATE | |
| 0 PLC ±1 | 1 PLC ±0.3 | PRODUCT SPEC 108-32658 | SIZE A2 | CAGE CODE 00779 |
| 2 PLC ±0.15 | 3 PLC ±0.050 | APPLICATION SPEC 114-115003 | DRAWING NO C-2357798 | RESTRICTED TO - |
| 4 PLC ±0.0250 | ANGLES ±3° | WEIGHT - | SCALE 1:1 SHEET 4 OF 6 REV B | |
| MATERIAL - | FINISH - | CUSTOMER DRAWING | | |
| SEE NOTE 1 | SEE NOTE 2 | | | |

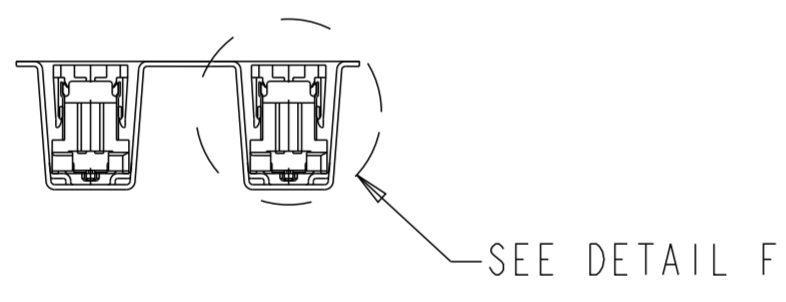
DIRECTION OFF TOP OF REEL →

REEL WITH PICK UP CAP
2357798-3

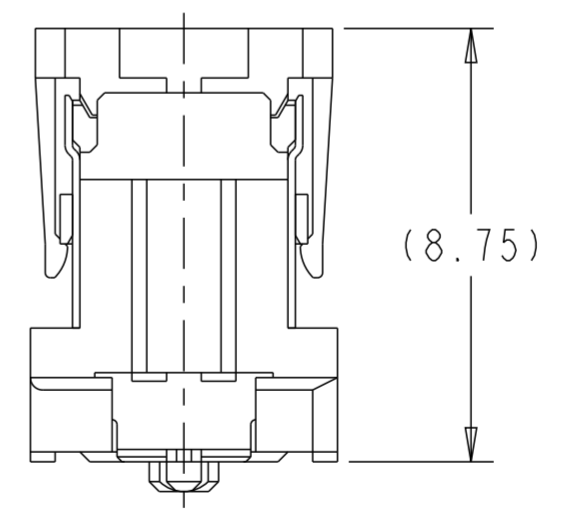
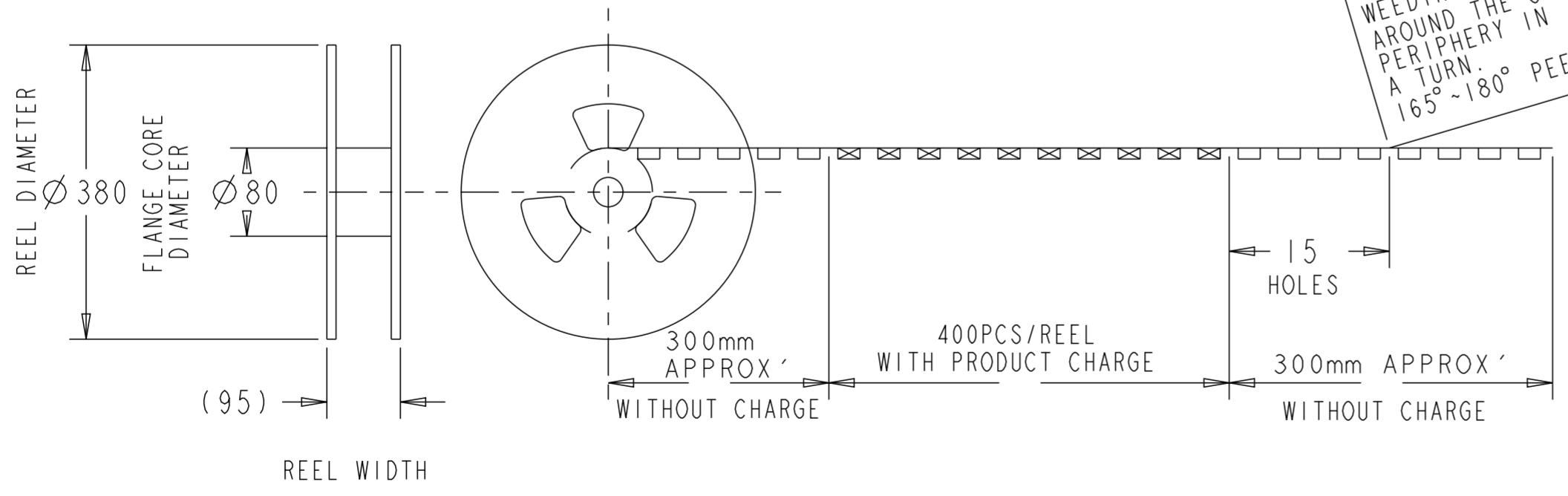
| REVISIONS | | | | |
|-----------|-----|-------------|------|------|
| P | LTR | DESCRIPTION | DATE | APVD |
| - | - | SEE SHEET 1 | - | - |
| | | | | |
| | | | | |



DETAIL F
(SCALE 4:1)



WEEDING THE COVER TAPE
AROUND THE OUTER
PERIPHERY IN
A TURN.
165°-180° PEELING ANGLE

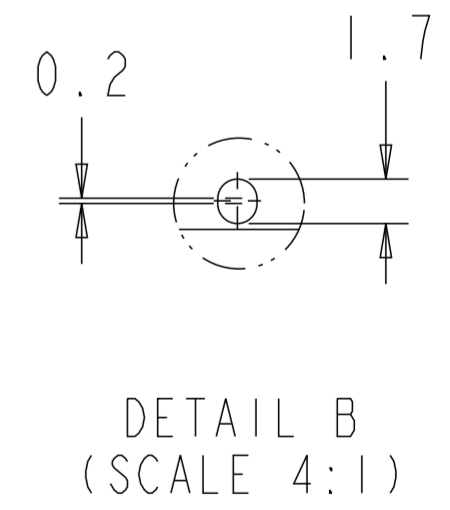
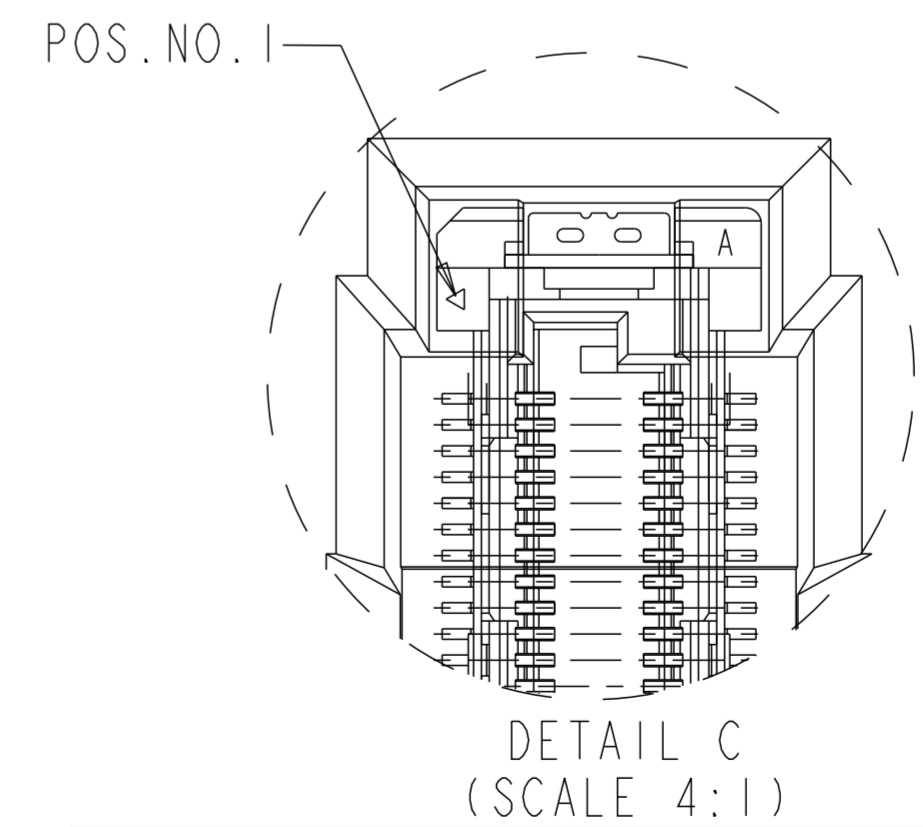
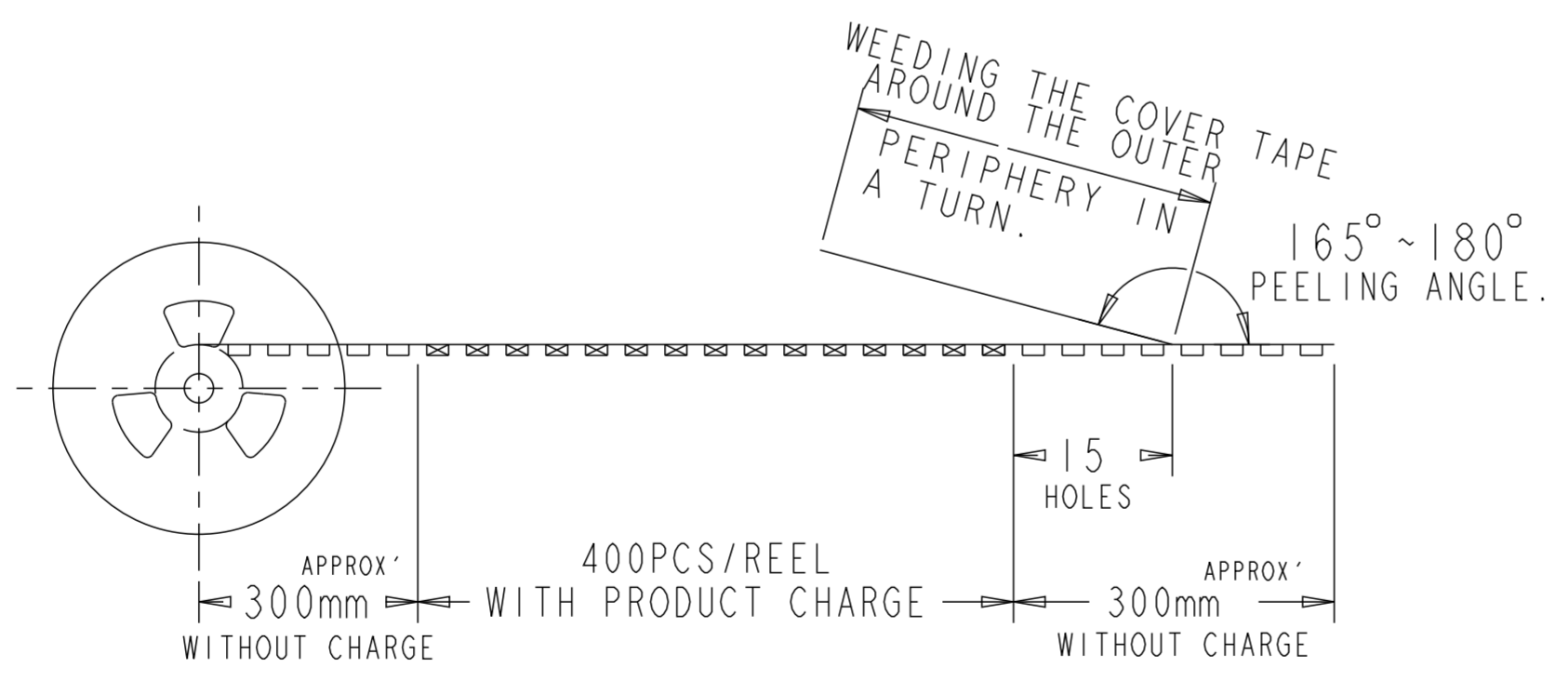
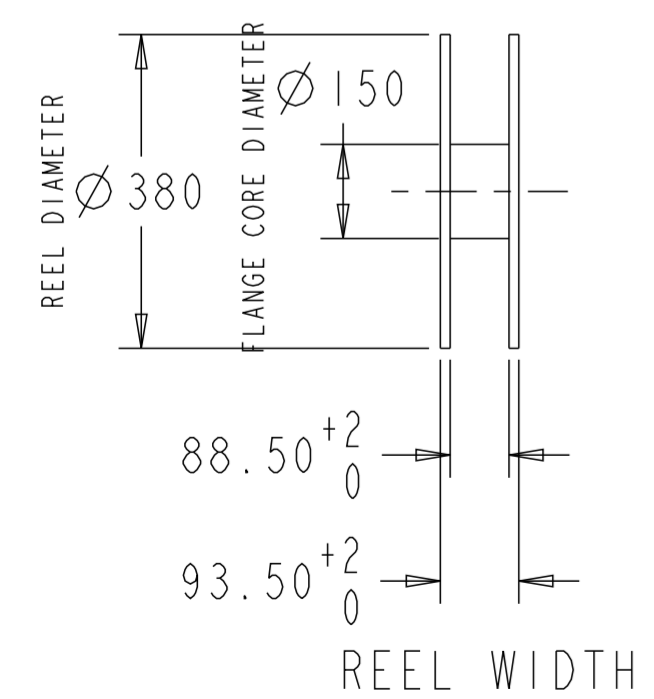
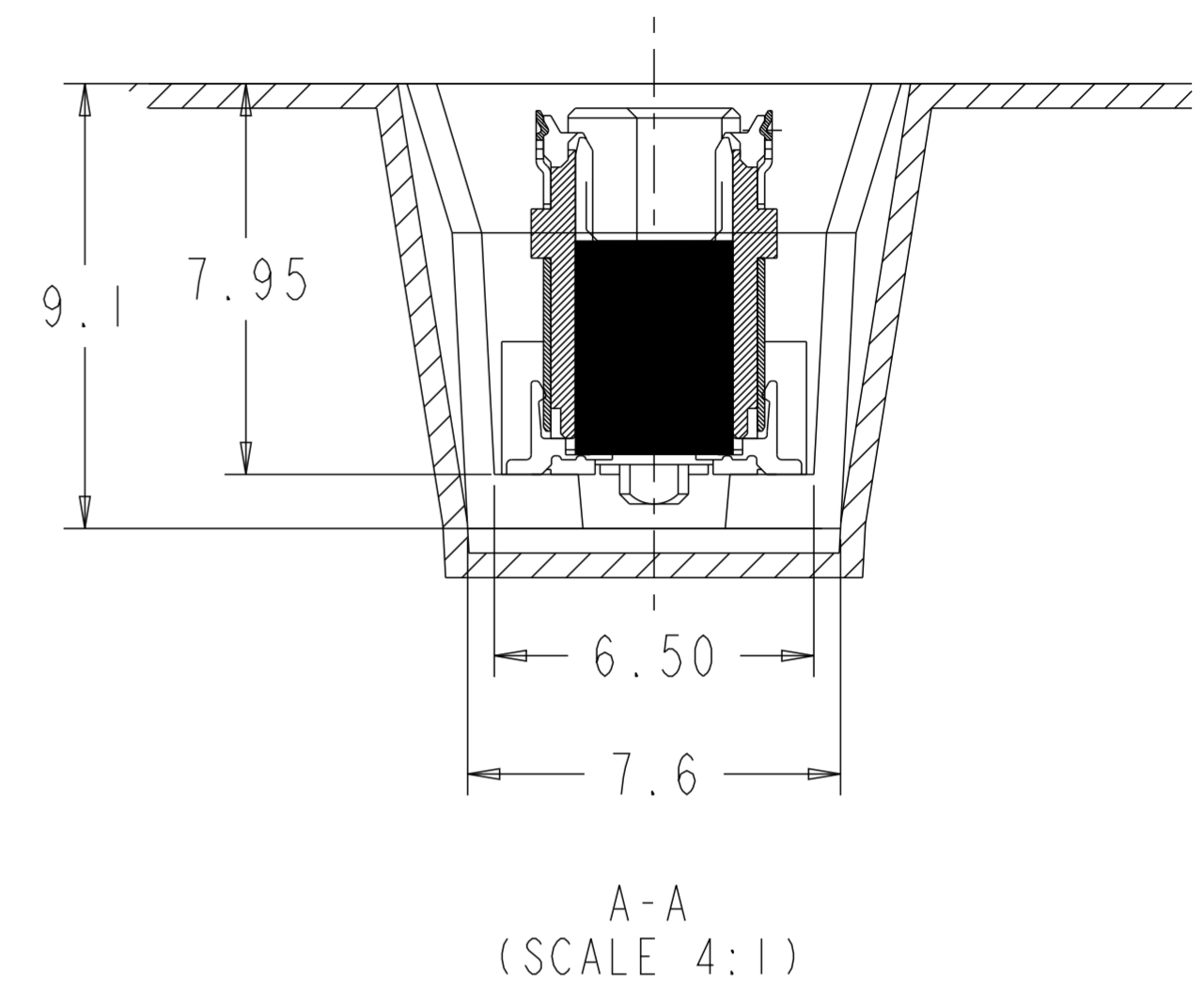
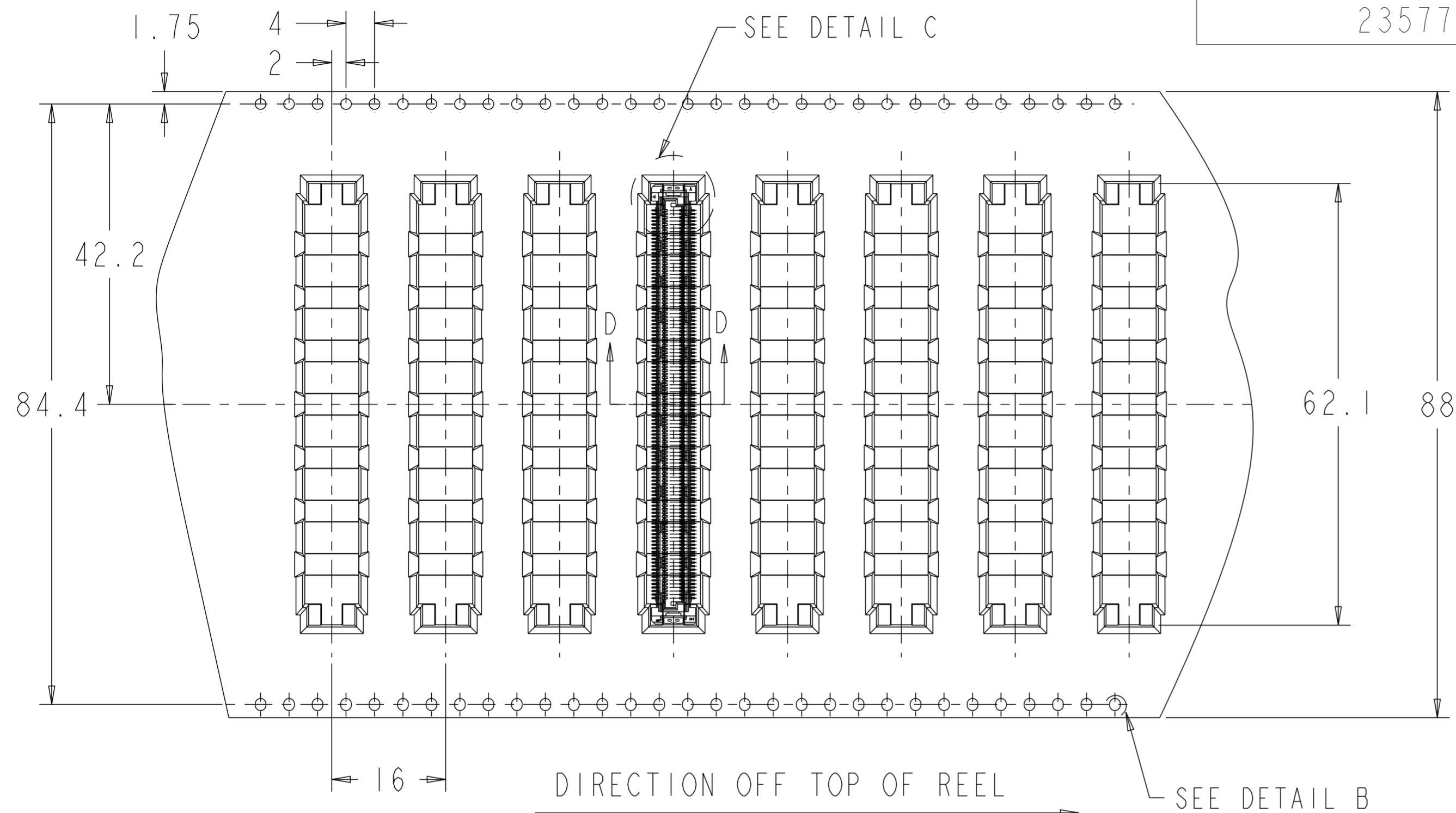


CONNECTOR DETAIL

| | | | | |
|--|--|--------------------------------|--|--|
| THIS DRAWING IS A CONTROLLED DOCUMENT. | | DWN ART LIN 24JUN2019 | TE Connectivity | |
| DIMENSIONS: mm | | CHK HOPE LU 10OCT2019 | | |
| TOLERANCES UNLESS OTHERWISE SPECIFIED: | | APVD HOPE LU 10OCT2019 | NAME 8H PLUG ASSY 220POS FH 0.5MM BTB 16Gbps WITH G-PLATE | |
| 0 PLC ±1 | | PRODUCT SPEC 108-32658 | SIZE A200779 | |
| 1 PLC ±0.3 | | APPLICATION SPEC 114-115003 | CAGE CODE C-2357798 | |
| 2 PLC ±0.15 | | WEIGHT - | DRAWING NO - | |
| 3 PLC ±0.050 | | MATERIAL - | RESTRICTED TO - | |
| 4 PLC ±0.0250 | | SEE NOTE 1 | SCALE 1:1 | |
| ANGLES ±3° | | SEE NOTE 2 | SHEET 5 OF 6 | |
| FINISH - | | CUSTOMER DRAWING | REV B | |

REEL WITHOUT PICK UP CAP
2357798-4

| REVISIONS | | | | |
|-----------|-----|-------------|------|------|
| P | LTR | DESCRIPTION | DATE | APVD |
| - | | SEE SHEET 1 | - | - |
| | | | | |
| | | | | |



| | | | | |
|--|--|--------------------------------|--|--|
| THIS DRAWING IS A CONTROLLED DOCUMENT. | | DWN ART LIN 24JUN2019 | TE Connectivity | |
| DIMENSIONS: mm | | CHK HOPE LU 10OCT2019 | | |
| TOLERANCES UNLESS OTHERWISE SPECIFIED: | | APVD HOPE LU 10OCT2019 | NAME 8H PLUG ASSY 220POS FH 0.5MM BTB 16Gbps WITH G-PLATE | |
| 0 PLC ±1 | | PRODUCT SPEC 108-32658 | SIZE A200779 | |
| 1 PLC ±0.3 | | APPLICATION SPEC 114-115003 | CAGE CODE C-2357798 | |
| 2 PLC ±0.15 | | WEIGHT - | DRAWING NO - | |
| 3 PLC ±0.050 | | MATERIAL SEE NOTE 1 | RESTRICTED TO - | |
| 4 PLC ±0.0250 | | FINISH - | SCALE 1:1 | |
| ANGLES ±3° | | CUSTOMER DRAWING | SHEET 6 OF 6 | |
| FINISH | | | REV B | |