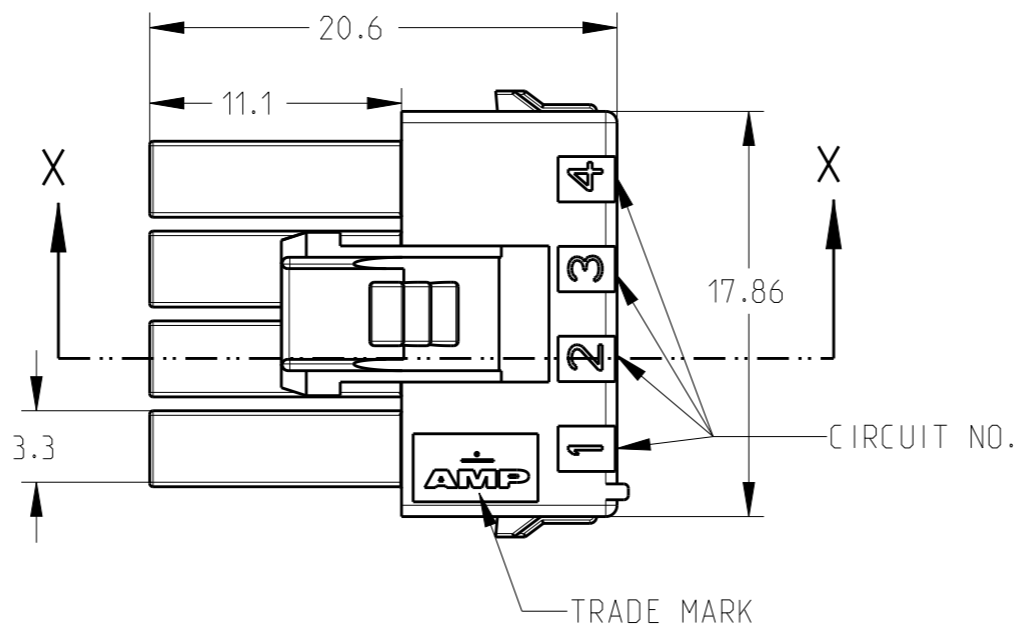
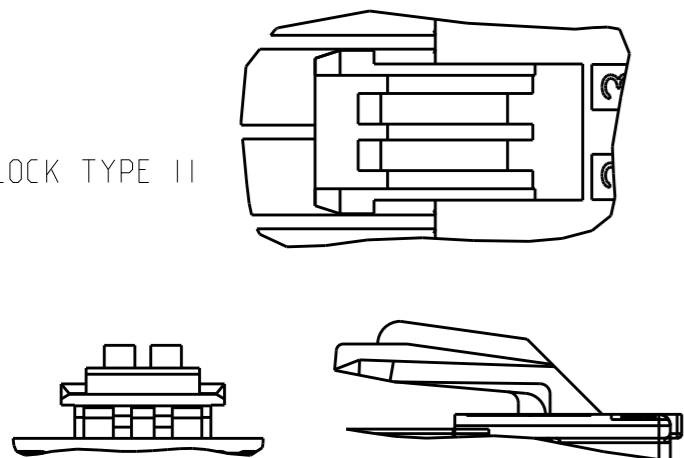


THIS DRAWING IS UNPUBLISHED. RELEASED FOR PUBLICATION 20  
 © COPYRIGHT 20 BY - ALL RIGHTS RESERVED.

REVISIONS

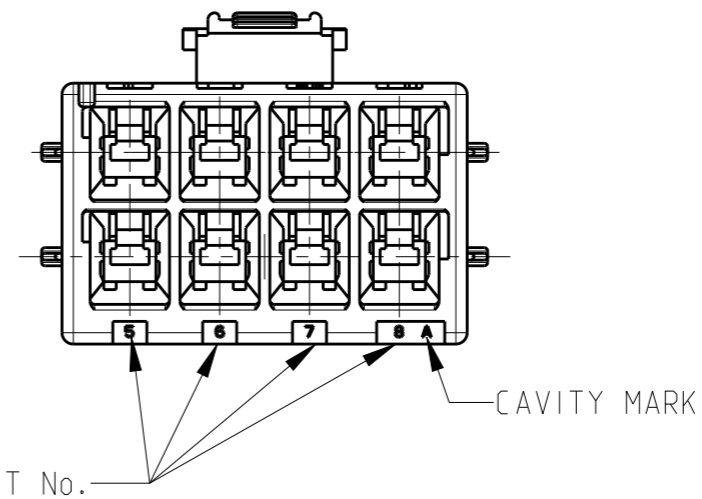
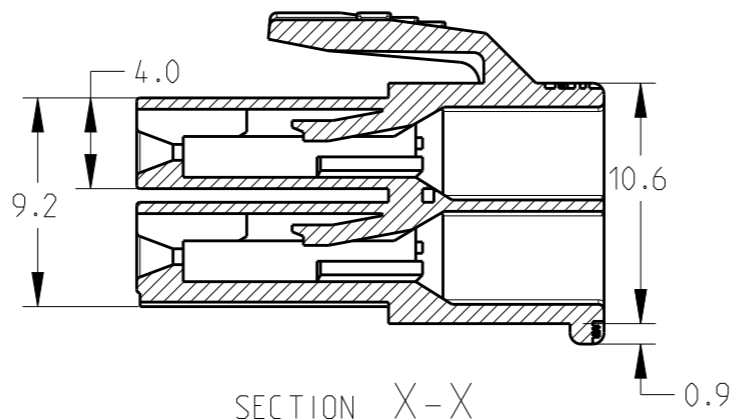
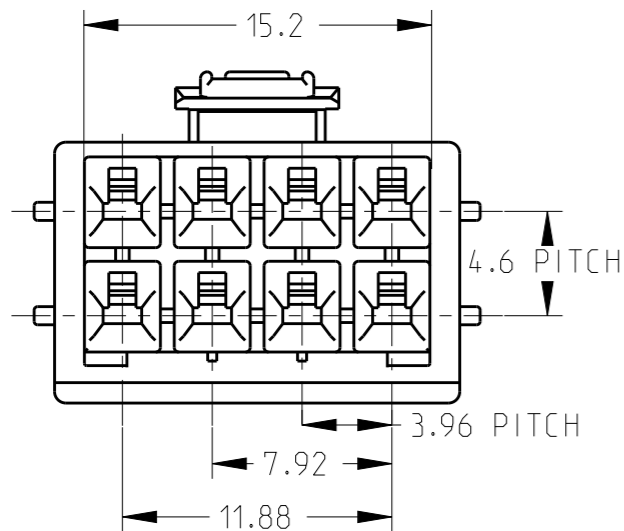
P	LTR	DESCRIPTION	DATE	DWN	APVD
A1		REVISED PER ECR-17-000605	15FEB2017	N.L	D.Z
B		REVISED PER ECR-19-009721	01JUL2019	M.G	D.Z

LOCK TYPE II



NOTES:

- THIS HOUSING ACCEPTS RECEPTACLE TERMINAL:  
 REC CONTACT:177915-[ ](#20-#16AW G)  
 177914-[ ](#26-#22AW G)
- MATING CONN. P/N  
 CAP HSG:1971600-[ ](FREE HANGING)  
 TAB CONTACT:177917-[ ](#20-#16AW G)  
 177916-[ ](#26-#22AW G)
- APPLICABLE PLATE P/N:177920-[ ]
- INSTRUCTION SHEET:411-5638
- MATERIAL: PA66 UL94V-0
- COMPLY WITH GLOW WIRE REQUIREMENT FOR PARTS OF NO-METALLIC MATERIAL SUPPORTING A CURRENT-CARRYING CONNECTOR DETAILED IN IEC60335-1, SECTION 30(GWT)



8	NATURAL	1971598-1
POS	HOUSING COLOR	P/N

THIS DRAWING IS A CONTROLLED DOCUMENT.		DWN SAI, CHEN 25SEP2009	TE Connectivity	
DIMENSIONS: mm		CHK HAPYE WU 25AUG2009		
TOLERANCES UNLESS OTHERWISE SPECIFIED:		APVD JULIAN ZHOU 25SEP2009	NAME POWER DBL LOCK CONN 3.96mm PITCH 8 POS PLUG HOUSING, DBL ROW (GWT)	
0 PLC ±0.5		PRODUCT SPEC 108-5410	SIZE A3	CAGE CODE -
1 PLC ±0.3		APPLICATION SPEC 114-5175	DRAWING NO. C=1971598	RESTRICTED TO -
2 PLC ±		WEIGHT -	SCALE 3:1	SHEET 1 OF 1
3 PLC ±		CUSTOMER DRAWING	REV B	
4 PLC ±				
ANGLES ±				
MATERIAL 6				
FINISH -				