

PART NUMBER LEGEND

151013-X X Y Y

PLATING OPTIONS:

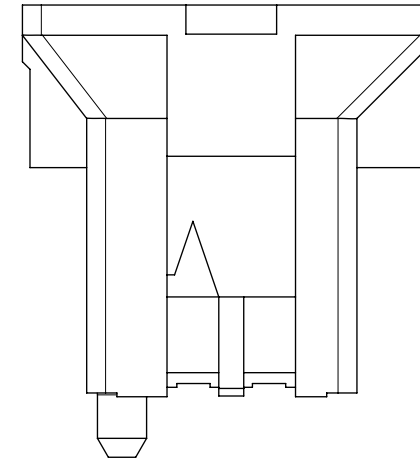
DIM E - PIN LENGTHS:

- 0: 2.60mm
- 1: 4.00mm
- 2: 3.00mm
- 3: 3.50mm
- 4: 4.50mm
- 5: 2.10mm

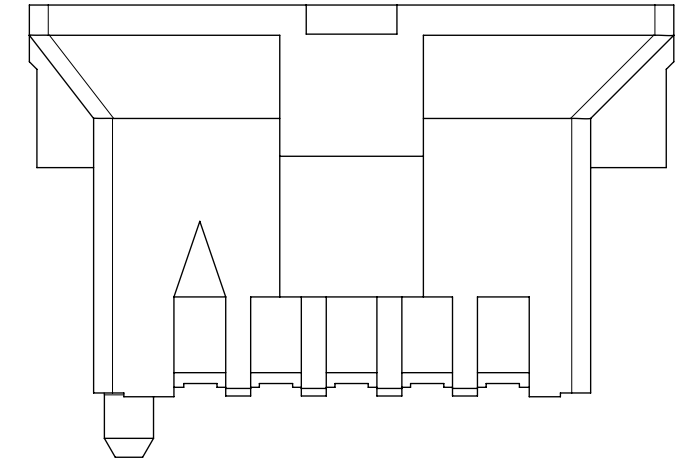
| | |
|---------|--|
| 04 - 20 | 04 - 20 CKT IN TUBE |
| 64 - 80 | 64 - 80 CKT IN T&R WITHOUT KAPTON TAPE |
| | 64 = 04CKT |
| | 66 = 06CKT |
| | - |
| | - |
| 84 - 98 | 84 - 98 CKT IN T&R WITH KAPTON TAPE |
| | 84 = 04CKT |
| | 86 = 06CKT |
| | - |
| | 98 = 18CKT |
| | 00 = 20CKT |

| ASSEMBLY PART NUMBER | CKT SIZE | DIM A | DIM B | DIM C | DIM D | DIM F |
|----------------------|----------|-------|-------|-------|-------|-------|
| 151013-XX04 | 4 | 4.85 | 11.05 | 2.00 | 7.15 | 9.25 |
| 151013-XX06 | 6 | 6.85 | 13.05 | 4.00 | 9.15 | 11.25 |
| 151013-XX08 | 8 | 8.85 | 15.05 | 6.00 | 11.15 | 13.25 |
| 151013-XX10 | 10 | 10.85 | 17.05 | 8.00 | 13.15 | 15.25 |
| 151013-XX12 | 12 | 12.85 | 19.05 | 10.00 | 15.15 | 17.25 |
| 151013-XX14 | 14 | 14.85 | 21.05 | 12.00 | 17.15 | 19.25 |
| 151013-XX16 | 16 | 16.85 | 23.05 | 14.00 | 19.15 | 21.25 |
| 151013-XX18 | 18 | 18.85 | 25.05 | 16.00 | 21.15 | 23.25 |
| 151013-XX20 | 20 | 20.85 | 27.05 | 18.00 | 23.15 | 25.25 |

CIRCUIT IDENTIFICATION ON HOUSING



FOR 4 & 6 CIRCUITS

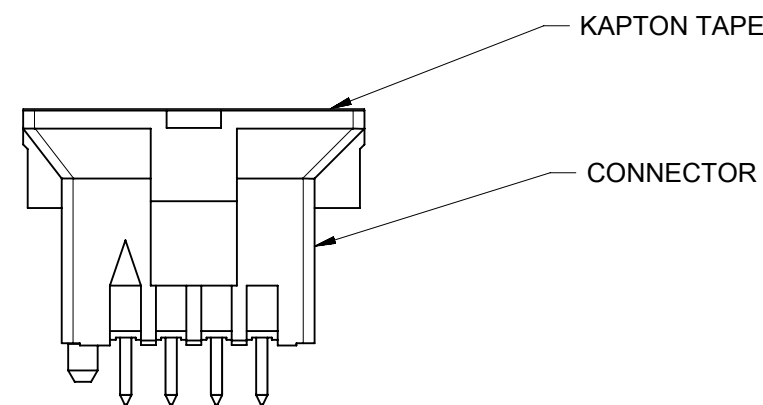
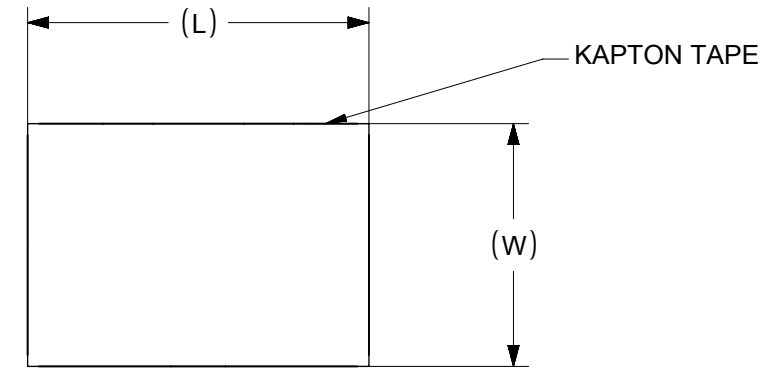


FOR 8 TO 20 CIRCUITS

| PLATING THICKNESS | PLATING ID MARK |
|--|-----------------|
| 2 OR 6: 0.76µm MIN. GOLD ON CONTACT, 1.27µm MATTE TIN ON SOLDER TAIL OVER 1.27µm MIN. NICKEL UNDERPLATE OVERALL | |
| 3: 0.38µm MIN. GOLD ON CONTACT, 1.27µm MATTE TIN ON SOLDER TAIL OVER 1.27µm MIN. NICKEL UNDERPLATE OVERALL | / |
| 4: 0.05µm MIN. GOLD FLASH ON CONTACT, 1.27µm MATTE TIN ON SOLDER TAIL OVER 1.27µm MIN. NICKEL UNDERPLATE OVERALL | < |
| 5: 2.50µm MIN. MATTE TIN ON CONTACT, 1.27µm MATTE TIN ON SOLDER TAIL OVER 1.27µm MIN. NICKEL UNDERPLATE OVERALL | |

| | | | | |
|---|---|--|--|--|
| SYMBOLS DIMENSION UNITS: mm SCALE: 1:1 GENERAL TOLERANCES (UNLESS SPECIFIED): ANGULAR TOL ± 3.0° 4 PLACES ± 3 PLACES ± 2 PLACES ± 0.25 1 PLACE ± 0 PLACES ± DRAFT WHERE APPLICABLE MUST REMAIN WITHIN DIMENSIONS THIRD ANGLE PROJECTION DRAWING: A3-SIZE SERIES: 151013 | THIS DRAWING CONTAINS INFORMATION THAT IS PROPRIETARY TO MOLEX ELECTRONIC TECHNOLOGIES, LLC AND SHOULD NOT BE USED WITHOUT WRITTEN PERMISSION CURRENT REV DESC: EC NO: 749893 DRWN: DANUSA 2023/01/04 CHK'D: SUAIFR 2023/05/22 APPR: MRAMAKRISHNA 2023/05/22 INITIAL REVISION: DRWN: GMENARLY 2014/05/02 APPR: KHLIM 2014/06/30 | | 2MM PITCH MILLIGRID BMI VERTICAL HEADER PRODUCT CUSTOMER DRAWING | |
| | DOCUMENT NUMBER: SD-151013-0001 DOC TYPE: PSD DOC PART: 000 REVISION: A10 | | MATERIAL NUMBER: SEE TABLE CUSTOMER: GENERAL MARKET SHEET NUMBER: 2 OF 3 | |

| ASSEMBLY PART NUMBER TUBE | ASSEMBLY PART NUMBER TAPE & REEL | CKT SIZE | DIM A | DIM B | DIM C | DIM D | DIM F | KAPTON TAPE |
|---------------------------|----------------------------------|----------|-------|-------|-------|-------|-------|-------------|
| ---- | 151013-2092 | 12 | 12.85 | 19.05 | 10.00 | 15.15 | 17.25 | YES |
| ---- | 151013-2096 | 16 | 16.85 | 23.05 | 14.00 | 19.15 | 21.25 | YES |
| ---- | 151013-2076 | 16 | 16.85 | 23.05 | 14.00 | 19.15 | 21.25 | NO |
| 151013-3020 | ---- | 20 | 20.85 | 27.05 | 18.00 | 23.15 | 25.25 | NO |
| 151013-3520 | 151013-3580 | 20 | 20.85 | 27.05 | 18.00 | 23.15 | 25.25 | NO |
| 151013-2520 | 151013-2500 | 20 | 20.85 | 27.05 | 18.00 | 23.15 | 25.25 | YES |
| | 151013-2580 | 20 | 20.85 | 27.05 | 18.00 | 23.15 | 25.25 | NO |
| 151013-2220 | 151013-2200 | 20 | 20.85 | 27.05 | 18.00 | 23.15 | 25.25 | YES |



PART WITH KAPTON TAPE
8CKT SHOWN FOR ILLUSTRATION ONLY

NOTE:
IN TABLE HIGHLIGHTED F.G PART FOLLOWS PART LEGENDS FOR LENOVO & INTEL

| ASSEMBLY PART NUMBER TUBE | CKT SIZE | DIM A | DIM B | DIM C | DIM D PIN LENGTH | KAPTON TAPE |
|---------------------------|----------|-------|-------|-------|------------------|-------------|
| 151013-6508 | 08 | 8.85 | 15.05 | 6.00 | 2.1 | YES |

| | | | | |
|---|---|--|---|--|
| SYMBOLS DIMENSION UNITS: mm SCALE: 1:1 GENERAL TOLERANCES (UNLESS SPECIFIED): ANGULAR TOL ± 3.0° 4 PLACES ± 3 PLACES ± 2 PLACES ± 0.25 1 PLACE ± 0 PLACES ± DRAFT WHERE APPLICABLE MUST REMAIN WITHIN DIMENSIONS THIRD ANGLE PROJECTION DRAWING: A3-SIZE SERIES: 151013 | THIS DRAWING CONTAINS INFORMATION THAT IS PROPRIETARY TO MOLEX ELECTRONIC TECHNOLOGIES, LLC AND SHOULD NOT BE USED WITHOUT WRITTEN PERMISSION CURRENT REV DESC: EC NO: 749893 DRWN: DANUSA 2023/01/04 CHK'D: SUAIFR 2023/05/22 APPR: MRAMAKRISHNA 2023/05/22 | | 2MM PITCH MILLIGRID BMI VERTICAL HEADER | |
| | INITIAL REVISION: DRWN: GMENARLY 2014/05/02 APPR: KHLIM 2014/06/30 | | | |
| | DOCUMENT NUMBER: SD-151013-0001 DOC TYPE: PSD DOC PART: 000 REVISION: A10 | | SHEET NUMBER: 3 OF 3 | |
| | MATERIAL NUMBER: SEE CHART CUSTOMER: GENERAL MARKET | | | |