



The ultimate high-density memory interconnect for multi-processor server chipsets, Aerodynamic DDR3 DIMM sockets maximize air flow as well as space and cost savings, with low power consumption

Technology trends driving the use of multi-core processors for higher instruction and data bandwidth using Intel's QuickPath[†] architecture (particularly in high-density memory server applications) have brought about design challenges in implementing DDR3 DIMM interconnect interfaces on server chipsets.

These challenges range from the appropriate choice of the interconnect, its contact resistance and termination style, thermal and airflow characteristics, power consumption and delivery, its implementation at board level given space constraints that affect trace routings, down to the ease of using the socket.

Aerodynamic DDR3 DIMM sockets surpass these challenges and satisfy high-density memory interconnect interface requirements for mega-memory, multi-processor server platforms.

Aerodynamic DDR3 DIMM sockets feature very streamlined housing and latch designs to eliminate trapping of hot air around memory modules during operation. Ergonomically designed latches enable quick actuation and easy removal of high-density memory modules.

The sockets' low (2.40mm) seating plane optimizes vertical space for more flexible module design heights. Press-fit sockets feature smaller Eye-Of-Needle compliant pins than standard press-fit terminals to increase trace routing density between via holes on the PCB as well as to save valuable PCB real estate.

The low-level contact resistance of these sockets supports the use of Registered DIMM (RDIMM) modules for lower power consumption in blade servers.

All Low-Profile (LP) and Very-Low-Profile (VLP) SMT and Press-fit sockets are RoHS-compliant. SMT versions are lead-free.

For more information, visit our website at: www.molex.com/link/ddr3.html

Aerodynamic DDR3 DIMM Sockets, Low Seating Plane (LSP), Low Level Contact Resistance (LLCR), Lead-free, 1.00mm Pitch, 240 circuits

78315 Very Low Profile, Press-fit (Connector Height: 14.26mm)

78556 Low Profile, Press-fit (Connector Height: 22.03mm)

78565 Low Profile, SMT, Halogen-free (Connector Height: 21.34mm)

78603 Very Low Profile, SMT, Halogen-free (Connector Height: 14.20mm)



Aerodynamic DDR3 DIMM Sockets provide better airflow around memory modules during operation



Standard latch design



Ergonomically designed latch

Streamlined housing and latch designs

[†] QuickPath Interconnect is a high-speed, packetized, point-to-point interconnect used in Intel's next generation of microprocessors. QuickPath Interconnect and QPI are trademarks or registered trademarks of Intel Corporation.

Features and Benefits

Aerodynamically designed socket housing and latches	Minimize trapping of hot air around high-density memory modules during operation
Low-level contact resistance (LLCR) of 10milliohms (maximum initial)	Supports the use of Registered DIMM (RDIMM) modules and reduces power consumption in blade servers
Reduced Eye-Of-Needle (EON) compliant-pin terminals	Free up valuable PCB real estate for higher-density trace routing on PCBs
Lower Seating Plane (LSP) of 2.40mm versus standard 3.30mm designs	Allows more vertical space for use of high-density DIMMs while maintaining the same design height; Enables the use of very low-profile modules with seating heights below 2.80mm (maximum) in ATCA* blade systems
Ergonomically designed socket latches	For easier actuation and removal of memory module
Circuit number indicators on the socket interface with voltage key	Ensure correct module orientation and positioning

Aerodynamic DDR3 DIMM Sockets, Low Seating Plane (LSP), Low Level Contact Resistance (LLCR), Lead-free, 1.00mm Pitch, 240 circuits

Specifications

Reference Information

Key Position: Center 1.5V
Packaging:
Soft tray (78565-0001);
Tray (others)
UL File No.: TBA
CSA File No.: TBA
Mates With:
SO-014 modules (78565, 78603)
SO-012 modules (78315, 78556)
Designed In: mm
RoHS: Yes
Halogen Free:
Yes (SMT); No (Press-fit)
Glow Wire Compliant: No

Electrical

Voltage (max.):
30V AC (RMS)/DC (78315, 78556)
29V AC (RMS)/DC (78565, 78603)
Current (max.): 1.0A per pin
Low Level Contact Resistance:
10 milliohms (max.) initial
Dielectric Withstanding Voltage:
500V AC (1 minute)
Insulation Resistance: 1 megaohm

Mechanical

Module Insertion Force
(with latches): 10.8 kgf max.
Terminal Retention Force (min.):
Contact: 0.25kgf
Fork lock: 1.36kgf (78565, 78603)
Durability: 25 cycles

Physical

Housing:
Polyamide (PA), glass-filled,
UL94-V0 (78315, 78556)
LCP, glass-filled, UL94-V0
(78565, 78603)
Latches:
Polyamide (PA), glass-filled,
UL94-V0 (78315, 78556)
Nylon, glass-filled, UL94-V0
(78565, 78603)
Terminal: Copper Alloy
Plating:
Contact Area —
0.76µm (30µ'') Gold (Au)
Solder Tail Area —
0.38 to 1.52µm (15 to 60µ'')
Matte Tin (Sn) for
Series 78315, 78556
2.54µm (100µ'') pure Matte Tin
(Sn) for Series 78565, 78603
Underplating —
1.27µm (50µ'') Nickel (Ni)
Recommended PCB Thickness:
Operating Temperature:
-55 to +85°C

* The Advanced Telecom Computing Architecture (AdvancedTCA or ATCA) specifications, denoted PICMG † 3.X, are a series of PICMG specifications, targeted to requirements for the next generation of 'carrier grade' communications equipment. This series of specifications incorporates the latest trends in high-speed interconnect technologies, next-generation processors and improved reliability, manageability and serviceability.

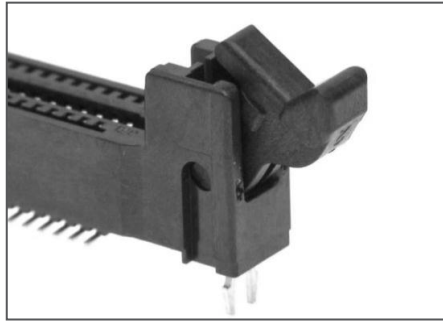


Product Configuration

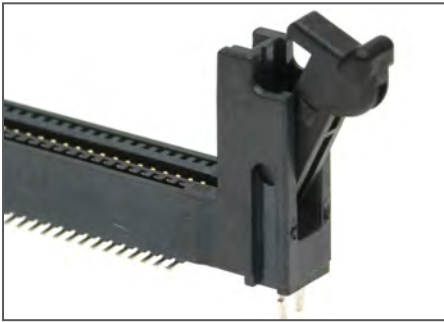
Aerodynamic DDR3 DIMM Sockets, Low Seating Plane (LSP), Low Level Contact Resistance (LLCR), Lead-free, 1.00mm Pitch, 240 circuits



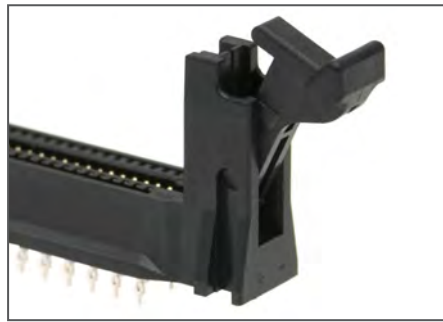
Very Low Profile, Press-fit DDR3 DIMM Socket (Series 78315)



Very Low Profile, SMT DDR3 DIMM Socket (Series 78603)



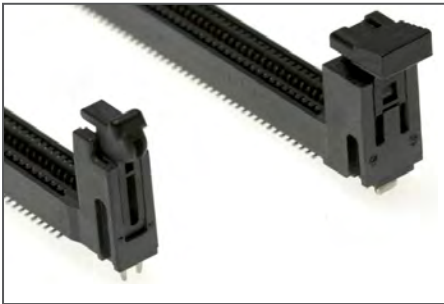
Low Profile, SMT DDR3 DIMM Socket (Series 78565)



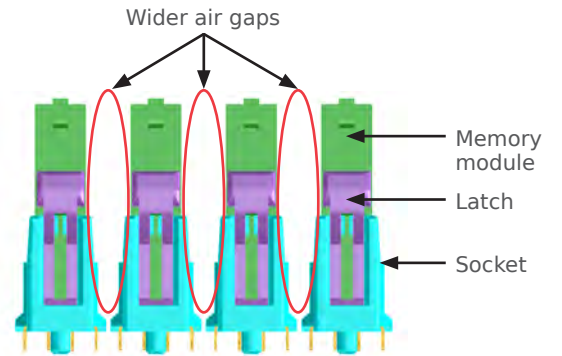
Low Profile, Press-fit DDR3 DIMM Socket (Series 78556) [Remark: This socket has a broad connector base to give it added stability when mounted]

Product Features

- Unlike conventional (standard) sockets, the Aerodynamic DDR3 DIMM sockets come with a sleek housing and latch design to enhance airflow around operating memory modules

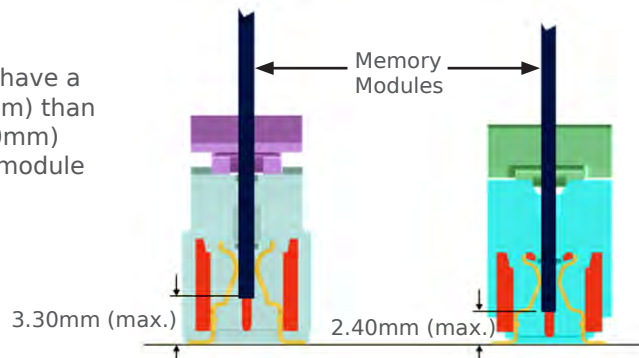


Housing and latch design differences between an Aerodynamic and Standard SMT DDR3 DIMM socket (Picture on extreme left shows the Series 78556 Aerodynamic DDR3 DIMM connector)



Aerodynamic housing with its slim tower design allows more airflow between each memory module during operation

- Aerodynamic DDR3 DIMMs have a lower seating plane (2.40mm) than the standard versions (3.30mm) for greater optimization of module height designs

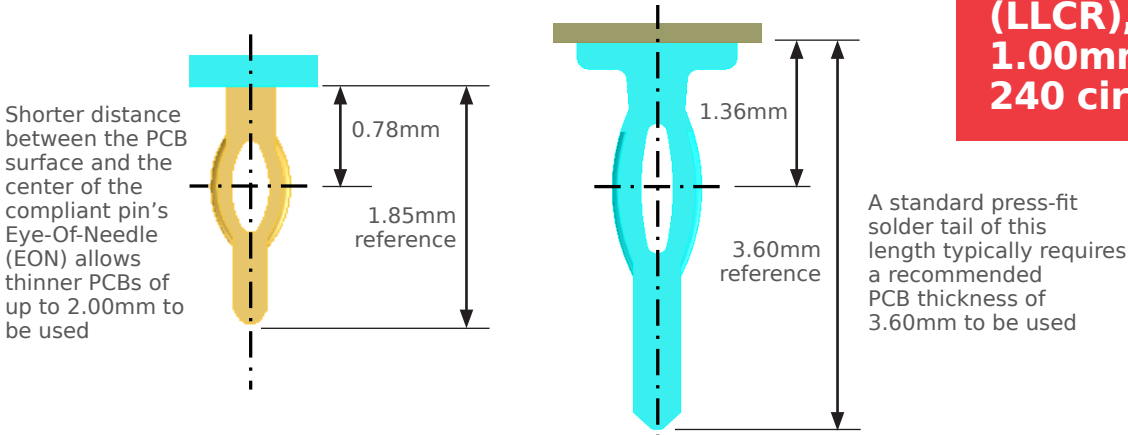


Comparison of Very Low Profile (VLP) DDR3 DIMMs' lower 2.40mm seating plane than standard DDR3 DIMM socket versions (3.30mm)

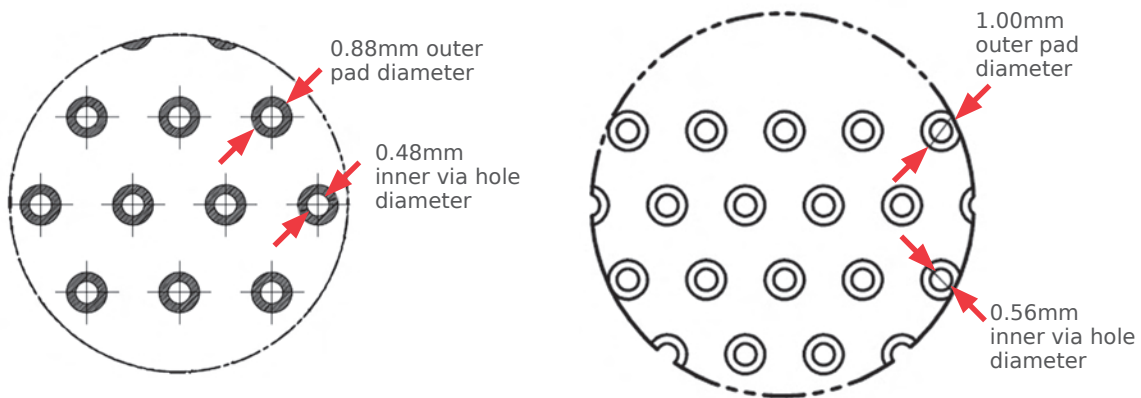
Product Features

- Aerodynamic press-fit sockets feature smaller Eye-Of-Needle (EON) compliant pin size than standard press-fit terminals. Smaller via hole dimensions allow more traces to be routed between them

Aerodynamic DDR3 DIMM Sockets, Low Seating Plane (LSP), Low Level Contact Resistance (LLCR), Lead-free, 1.00mm Pitch, 240 circuits

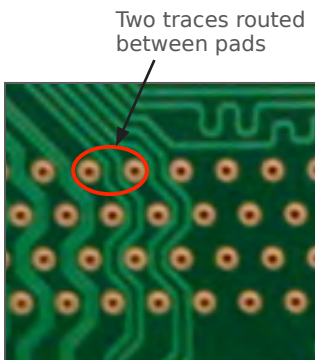


The Aerodynamic DDR3 DIMM sockets feature smaller Eye-Of-Needle (left) than standard press-fit sizes (right)

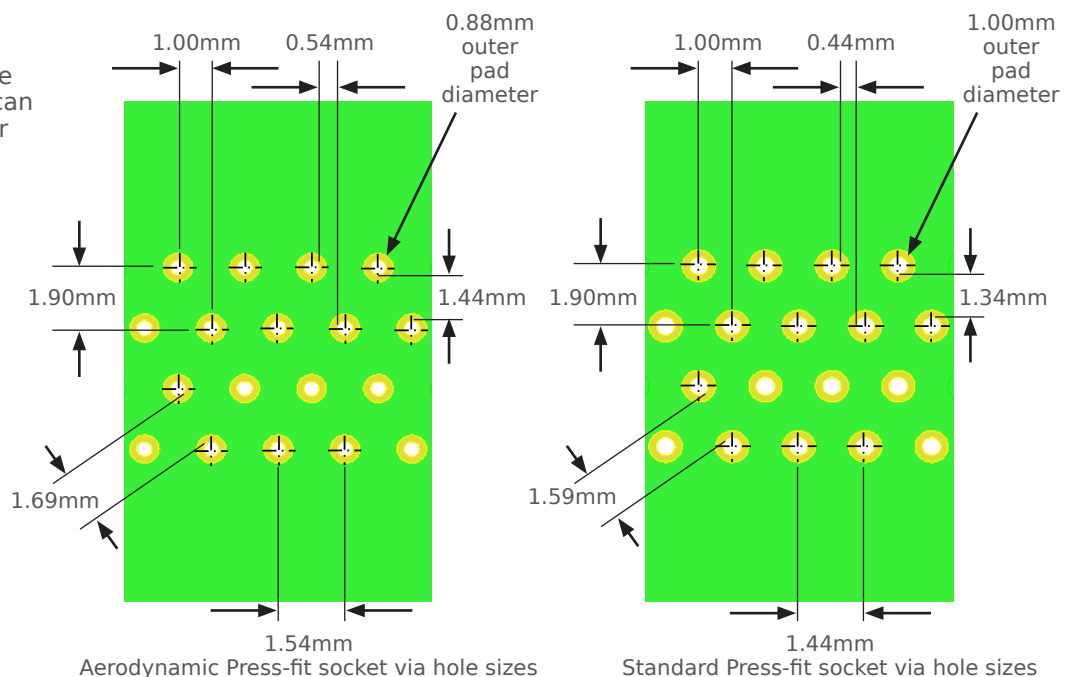


The Aerodynamic DDR3 DIMM socket uses a smaller (0.48mm) via hole than that (0.56mm) of standard press-fit terminals

- With a smaller compliant pin and via hole size, more valuable PCB real estate can be freed up to pack higher density traces on board



Example of enhanced trace routing



Increased trace routing space between adjacent pads of the Aerodynamic compliant pin versus standard press-fit designs

Applications

Data/Network/Telecom

- Desktop PCs
- Servers
- Workstations
- Routers
- Switches
- Storage systems
- Base stations
- Server farms
- Voice gateways

Industrial

- Programmable logic systems

Medical

- Advanced imaging devices



Programmable logic control systems



Medical imaging devices

**Aerodynamic DDR3
DIMM Sockets,
Low Seating Plane
(LSP), Low Level
Contact Resistance
(LLCR), Lead-free,
1.00mm Pitch,
240 circuits**



Servers, routers, switches, data centers and more

Ordering Information

Order No.	Configuration	Connector Height (mm)	Mounting Styles	Housing and Latch Colors
78315-0001	Very Low Profile	14.26	Press-fit	Black
78315-0011				Blue
78315-0051				Black
78556-5001	Low Profile	22.03		Blue
78556-5051				Natural
78556-5061				
78565-0001		21.34	SMT	Black
78603-0001	Very Low Profile	14.20		

www.molex.com/link/ddr3.html