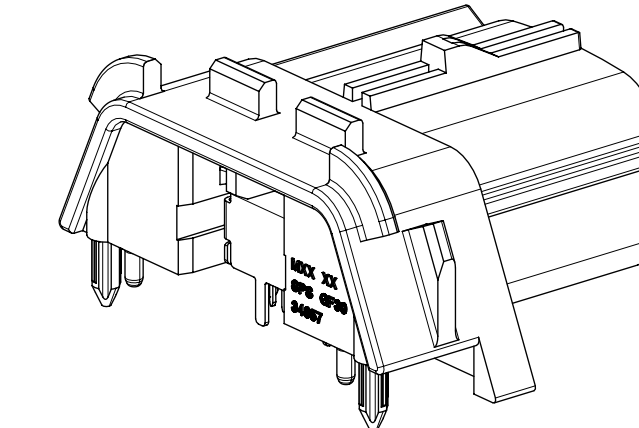
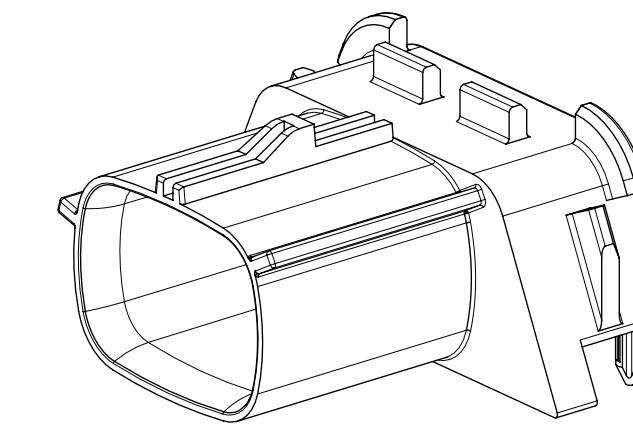


ITEM	DESCRIPTION	COLOR	34857-0506 12 CKT SEALED HEADER ASSY - KEY A	34857-0606 12 CKT SEALED HEADER ASSY - KEY B	34857-0706 12 CKT SEALED HEADER ASSY - KEY C	34857-0806 12 CKT SEALED HEADER ASSY - KEY D	34857-0516 12 CKT SEALED HEADER ASSY - KEY A (SHORT TAIL)	34857-0616 12 CKT SEALED HEADER ASSY - KEY B (SHORT TAIL)	34857-0716 12 CKT SEALED HEADER ASSY - KEY C (SHORT TAIL)	34857-0816 12 CKT SEALED HEADER ASSY - KEY D (SHORT TAIL)
1	12 CKT SEALED R/A HEADER HOUSING, KEY A	BLACK	1				1			
2	12 CKT SEALED R/A HEADER HOUSING, KEY B	GRAY		1				1		
3	12 CKT SEALED R/A HEADER HOUSING, KEY C	BROWN			1				1	
4	12 CKT SEALED R/A HEADER HOUSING, KEY D	GREEN				1				1
5	12 CKT R/A TERMINAL CORE	N/A	1	1	1	1				
6	12 CKT R/A TERMINAL CORE - SHORT TAIL	N/A					1	1	1	1



NOTES: VALID UNLESS OTHERWISE SPECIFIED

1. GENERAL:

- a. APPLICATION SPECIFICATION: AS-111149-002
- b. PRODUCT SPECIFICATION: PS-111149-001
- c. PACKAGING SPECIFICATION PER MOLEX DRAWING: PK-31301-768
- d. PARTS MUST BE IN COMPLIANCE TO THE CURRENT VERSION OF THE MOLEX CHEMICAL SUBSTANCES FOR PRODUCTS AND PACKAGING SPECIFICATION
- e. DATA MUST BE SUBMITTED UNDER THE MOLEX PART NUMBER TO IMDS (COMPANY ID#13255)
- f. PCB TO BE FR4 0.062" (1.57mm) THICK
- g. MATING CONNECTOR MINIMUM CLEARANCE: AREA TO REMAIN CLEAR OF MODULE COMPONENTS, ADHESIVE, DEBRIS, ETC.
- h. APPLICABLE SEALANT TO BE USED: LOCTITE 5910
- i. PCB MOUNTING BOSSES DESIGNED TO BE USED WITH THE FOLLOWING:
#4-20 x .375" TRI-LOBULAR THREAD FORMING SCREW
RECOMMENDED ASSEMBLY TORQUE: 1.1Nm +/- 0.11Nm

2. DESIGN - MATERIALS:

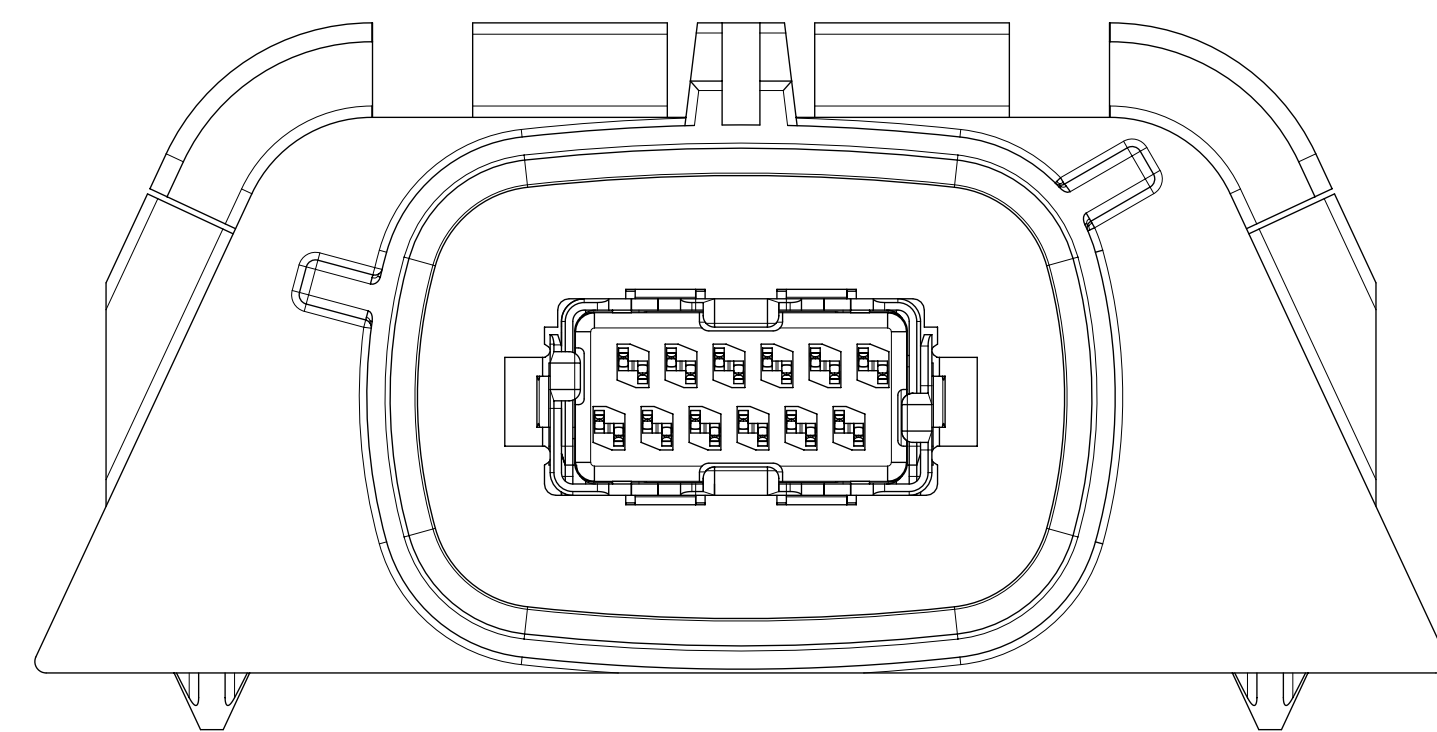
- a. HEADER HOUSING: SPS GF30
- b. TERMINALS - COPPER ALLOY
OVERMOLDING - LCP GF30
MATE-SIDE PLATING: SELECTIVE GOLD OVER NICKEL
PCB SIDE PLATING: TIN OVER NICKEL
- c. BISCUIT - SPS GF30
- d. SHIELDS - COPPER ALLOY
PLATING - TIN OVER NICKEL

3. DESIGN - GEOMETRY:

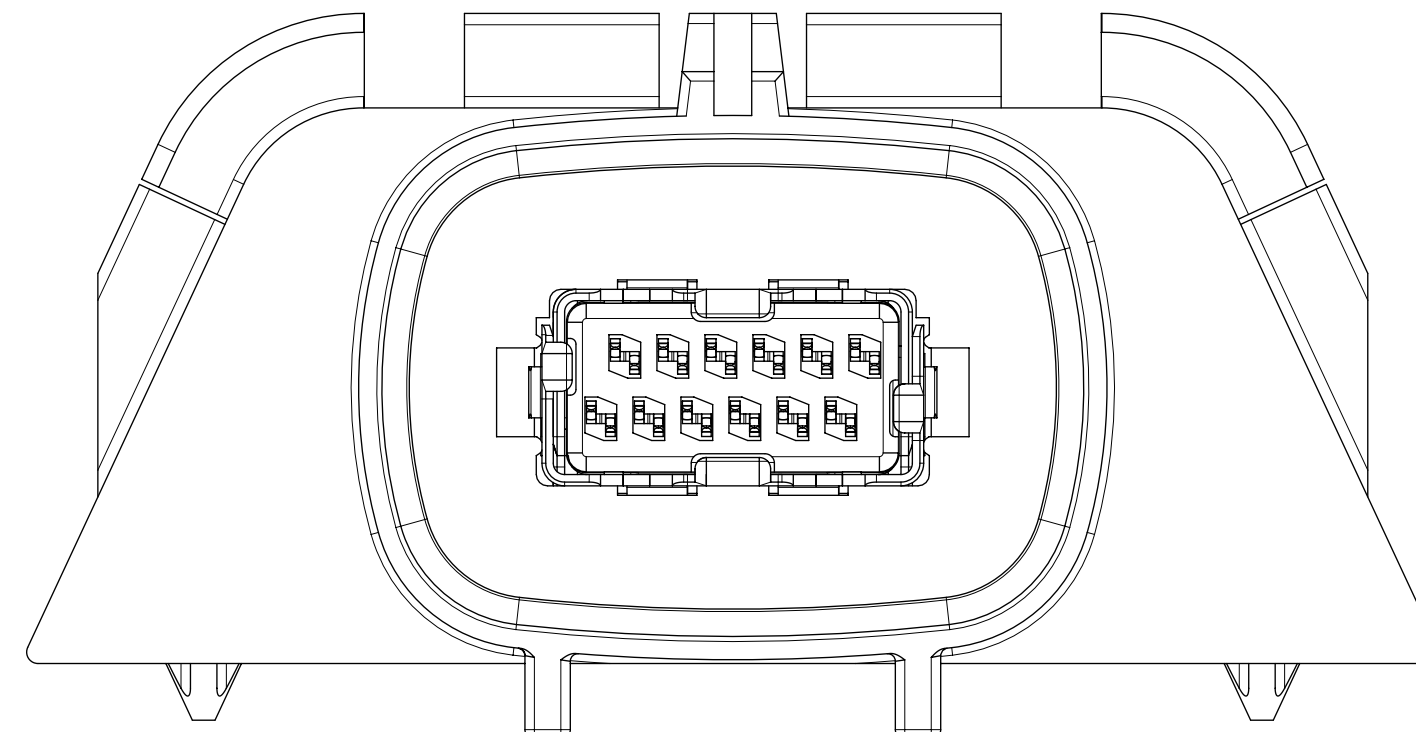
- a. ALL GRAPHIC DATA IS BASIC (NO TOLERANCE) AND MUST BE TAKEN FROM THE DATA FILE AT ITS LATEST REVISION.
- b. N/A
- c. GEOMETRIC DIMENSIONS AND TOLERANCES PER ASME Y14.5M-2009
- d. EDGES AND UNDIMENSIONED DETAILS PER ISO13715
- e. CORNERS SHOWN AS SHARP TO BE R 0.2 MAX.
- f. MODULE MOUNTING SURFACE: SEALANT TO BE APPLIED TO THIS REGION ONLY.
PARTING LINES PRESENT ON THIS SURFACE.

4. LASER MARKING TO BE MARKED WITH:

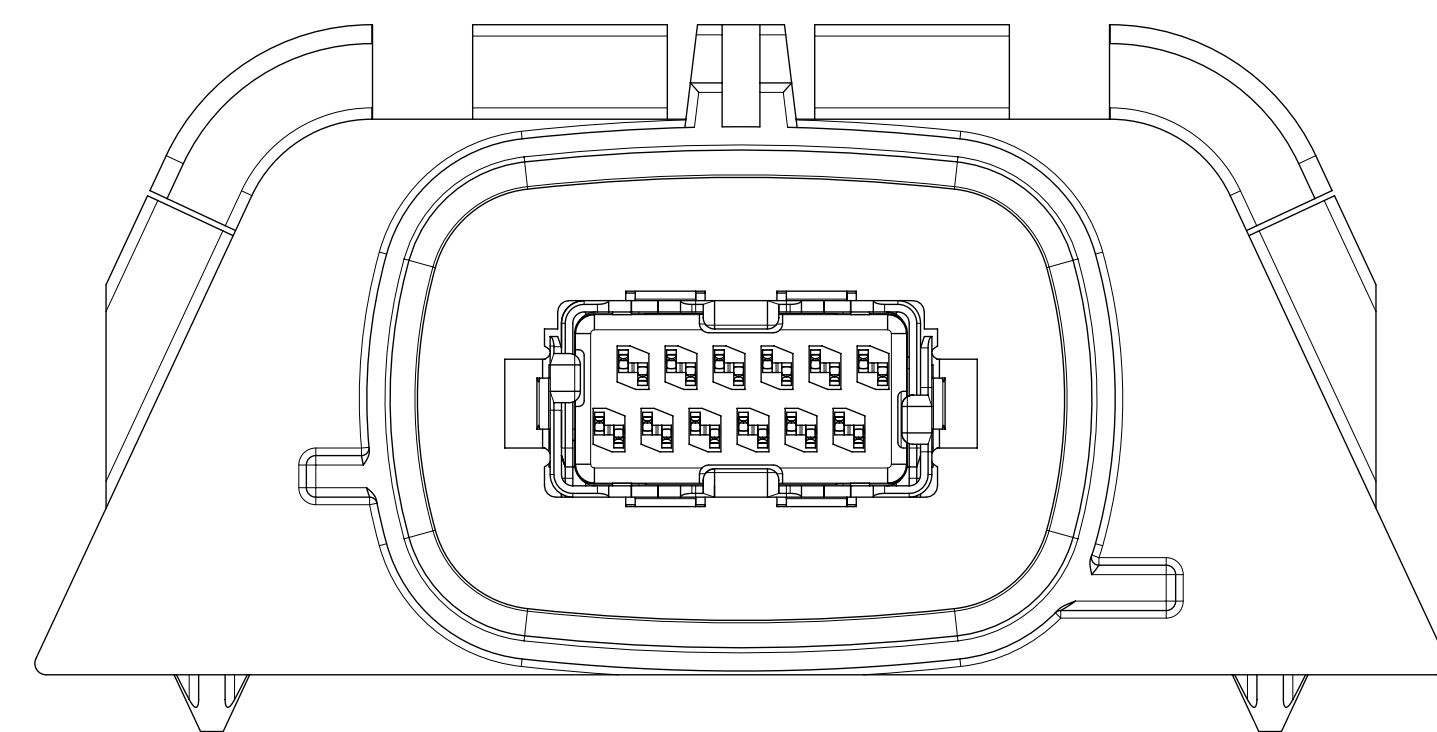
- HUMAN READABLE CODE (HRC)
- PERMANENTLY APPLIED ON THE PART WITH 1.5mm LETTER SIZE
- INFORMATION TO BE PRINTED
- 5 DIGIT JULIAN MANUFACTURING DATE STAMP YYDDD



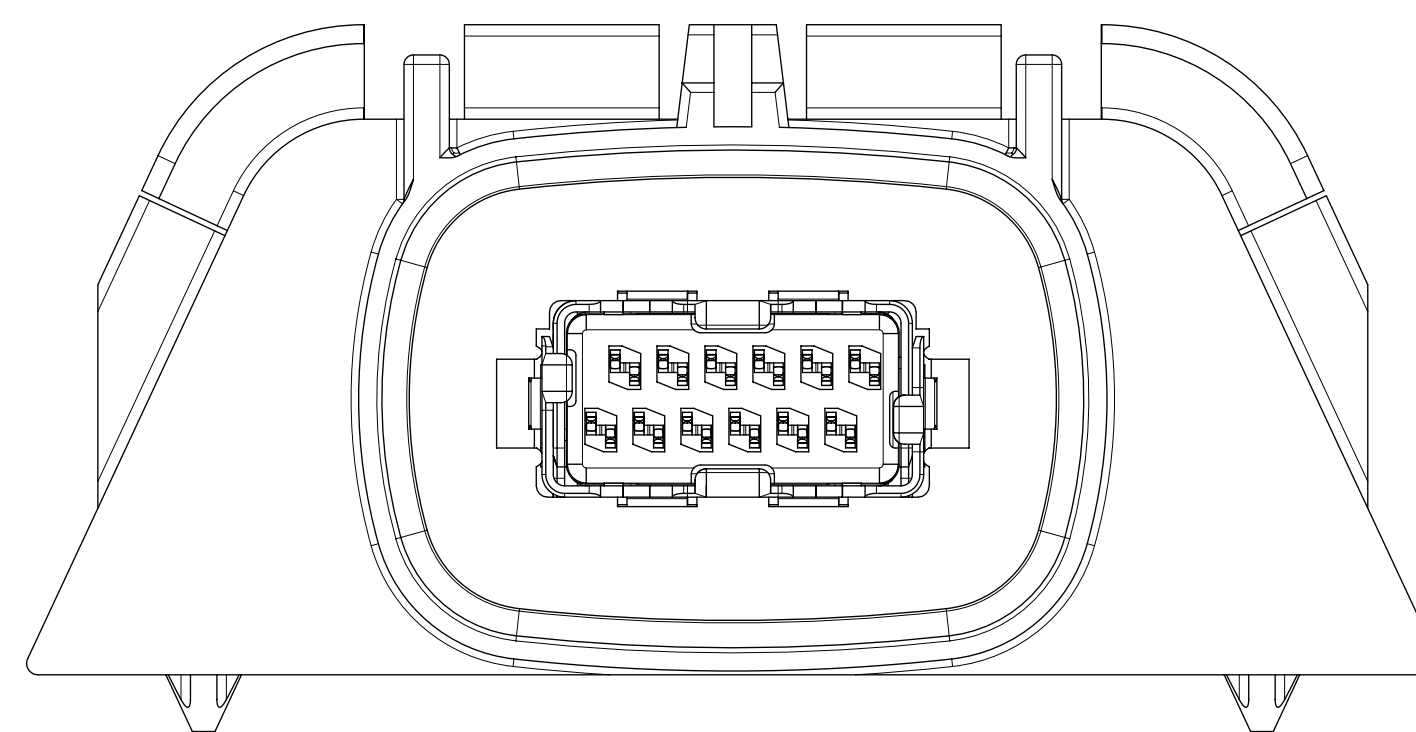
34857-05X6
KEY OPTION 'A'
COLOR: BLACK



34857-06X6
KEY OPTION 'B'
COLOR: GRAY



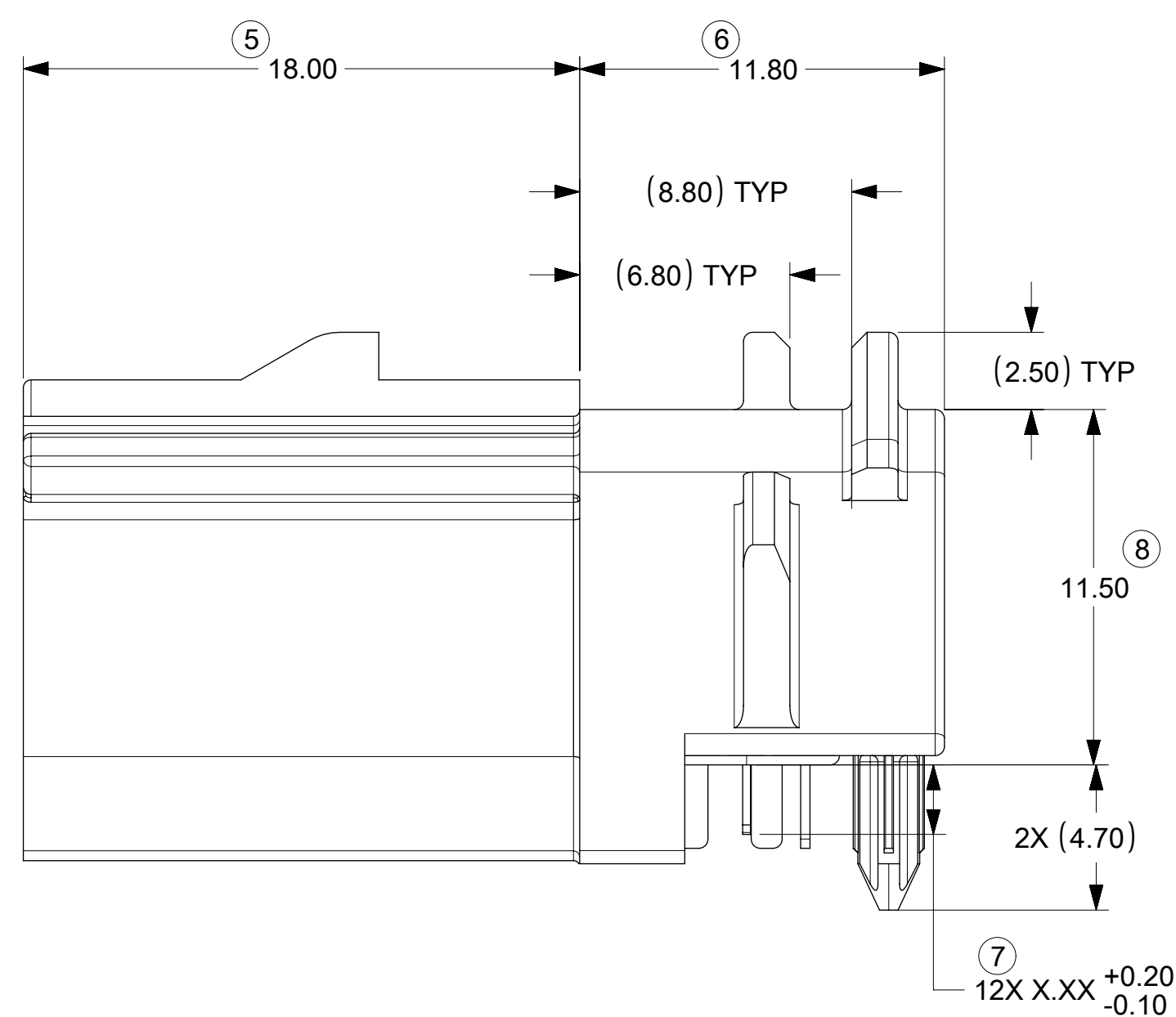
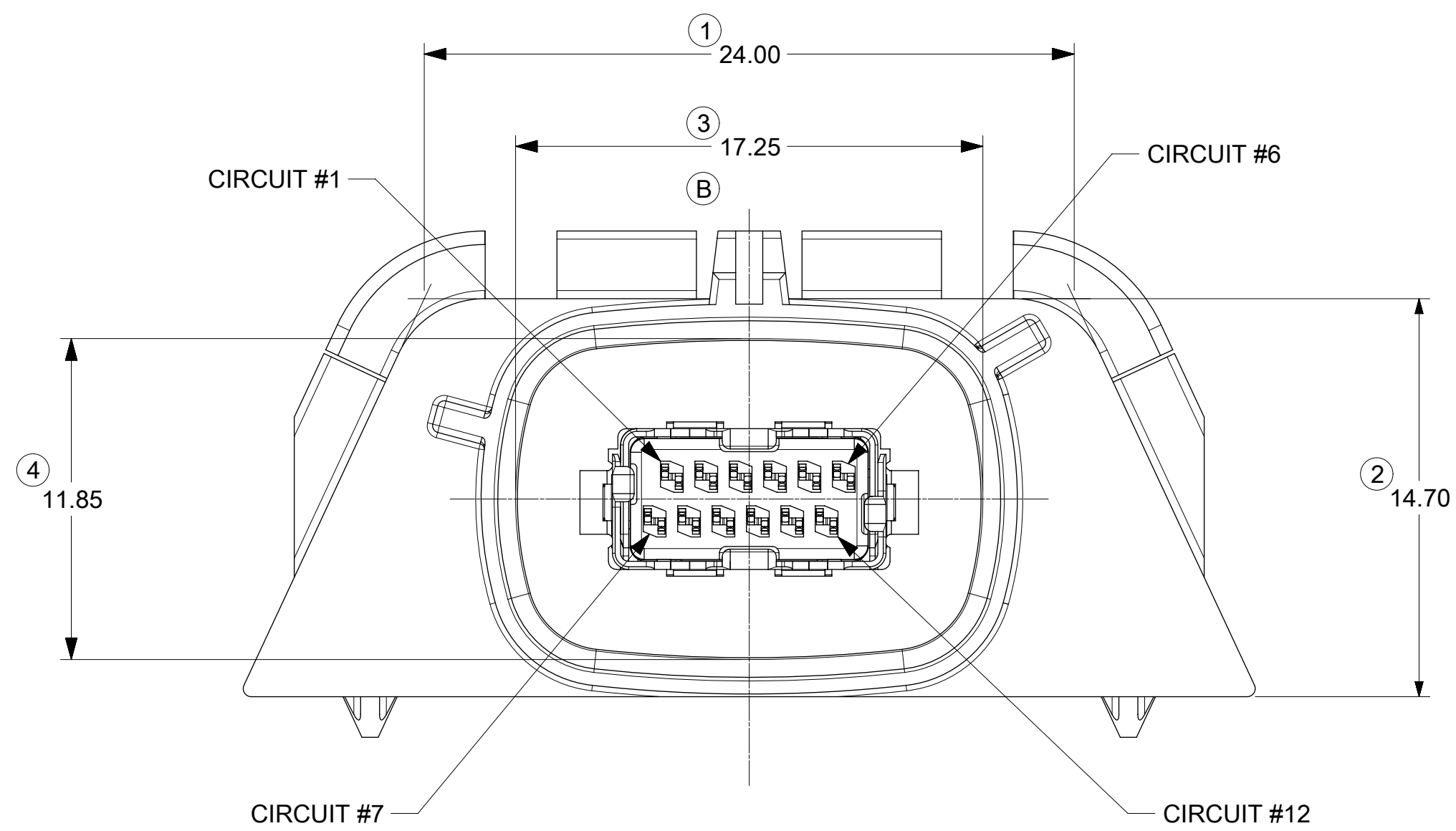
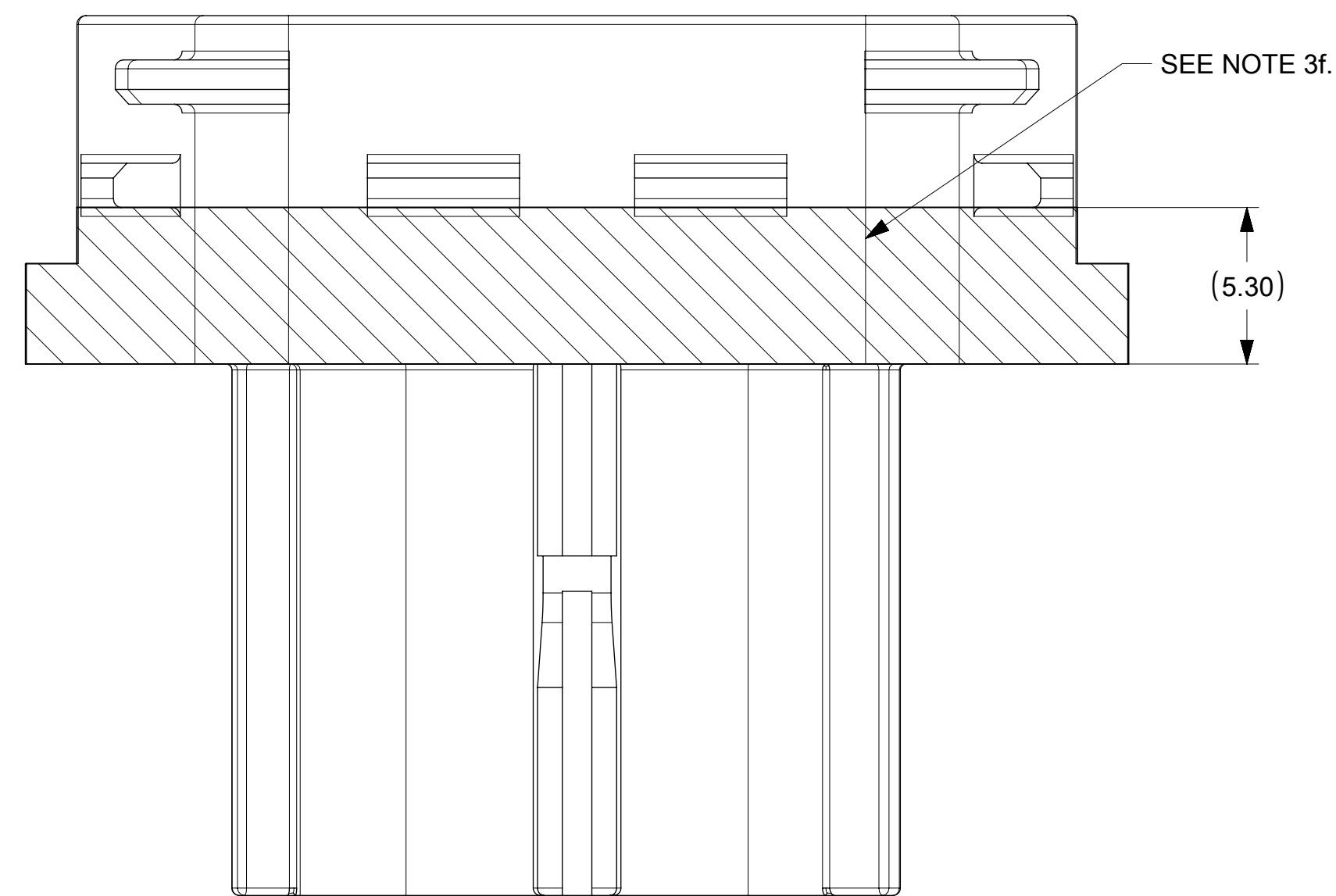
34857-07X6
KEY OPTION 'C'
COLOR: BROWN



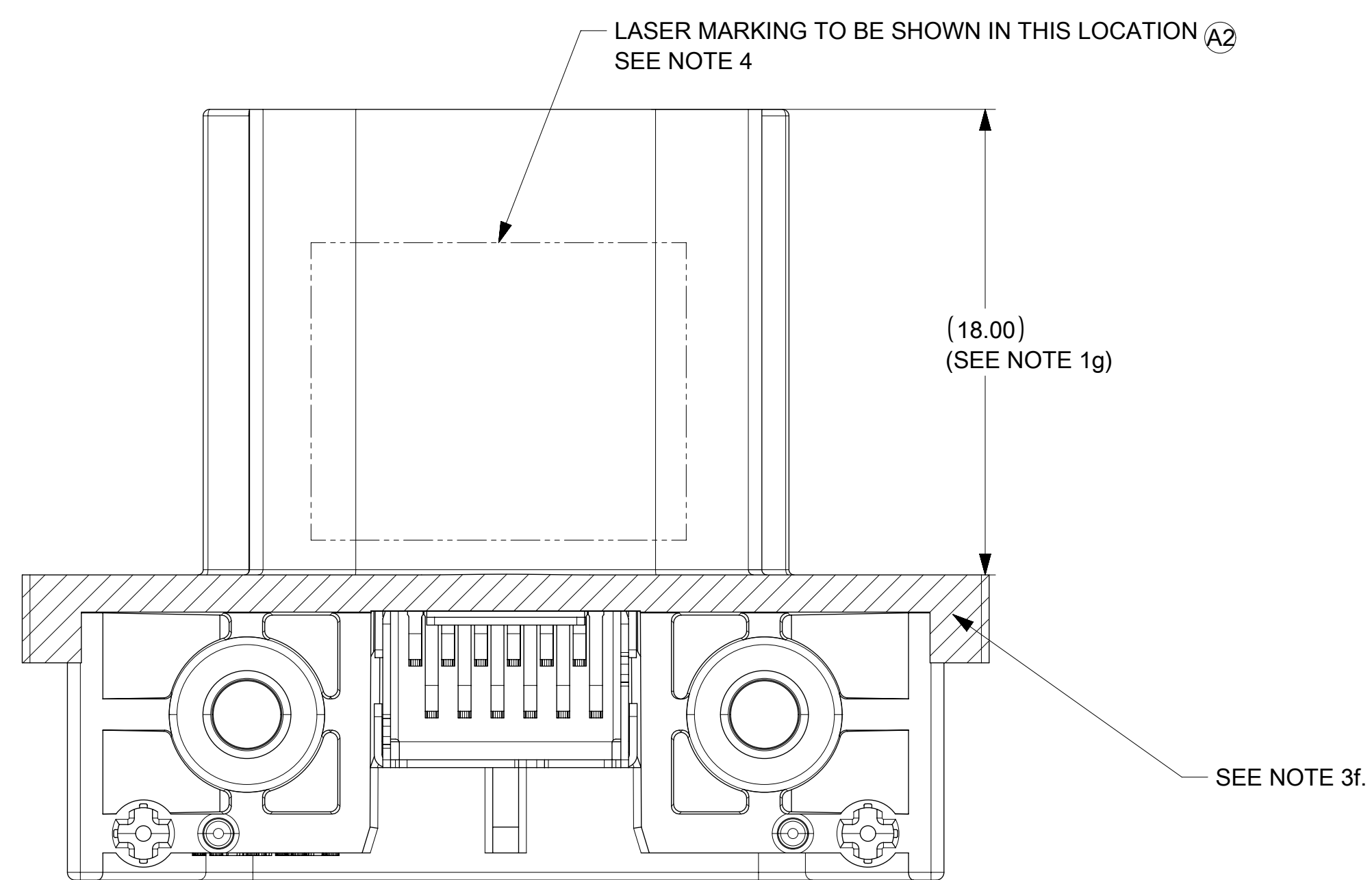
34857-08X6
KEY OPTION 'D'
COLOR: GREEN

B4	UPDATED PCB LAYOUT - PIN HOLE DIA	SUDAYGUNAGI	23JULY2020
REV	DESCRIPTION	ENGINEER	DATE

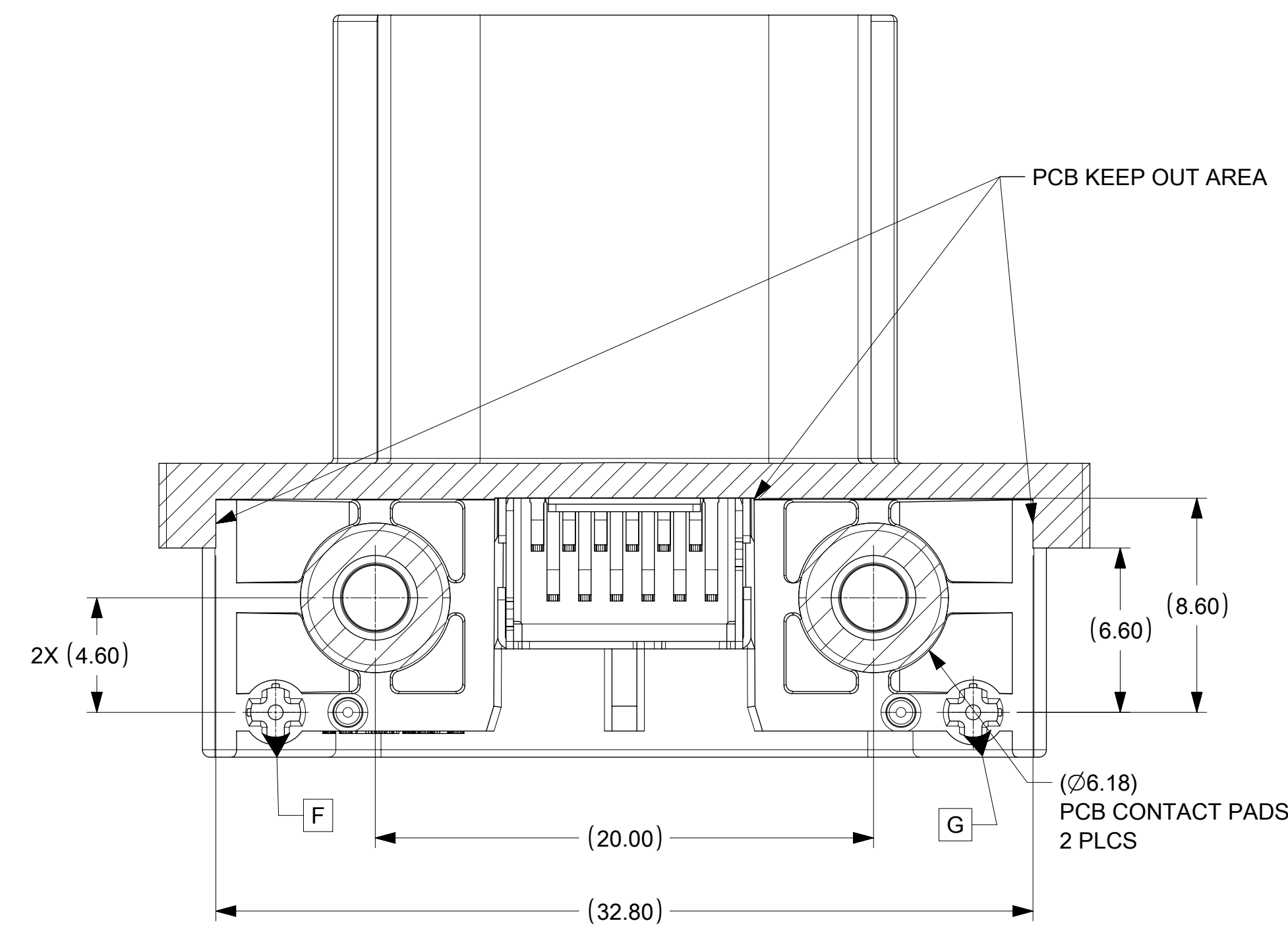
THIS DRAWING CONTAINS INFORMATION THAT IS PROPRIETARY TO MOLEX ELECTRONIC TECHNOLOGIES, LLC AND SHOULD NOT BE USED WITHOUT WRITTEN PERMISSION			
DIMENSION UNITS	SCALE	CURRENT REV DESC: UPDATED PCB LAYOUT - PIN HOLE DIA	
mm	5:1		
GENERAL TOLERANCES (UNLESS SPECIFIED)			
ANGULAR TOL	± 1.0°		
4 PLACES	±	EC NO: 697379	
3 PLACES	±	DRWN: DGILKEY	2020/05/15
2 PLACES	± 0.13	CHK'D: SMAMIDINAGAV	2020/08/10
1 PLACE	± 0.25	APPR: SMAMIDINAGAV	2022/03/15
0 PLACES	±	INITIAL REVISION:	
DRAFT WHERE APPLICABLE MUST REMAIN WITHIN DIMENSIONS		DRWN: CDILLON	2011/08/04
THIRD ANGLE PROJECTION		APPR: SMARCEAU	2011/08/08
DRAWING		SERIES	
D-SIZE		MATERIAL NUMBER	CUSTOMER
34857		SD-34857-001	GENERAL MARKET
		DOC TYPE	DOC PART
		PSD	000
		REVISION	B4
		SHEET NUMBER	
		1 OF 3	



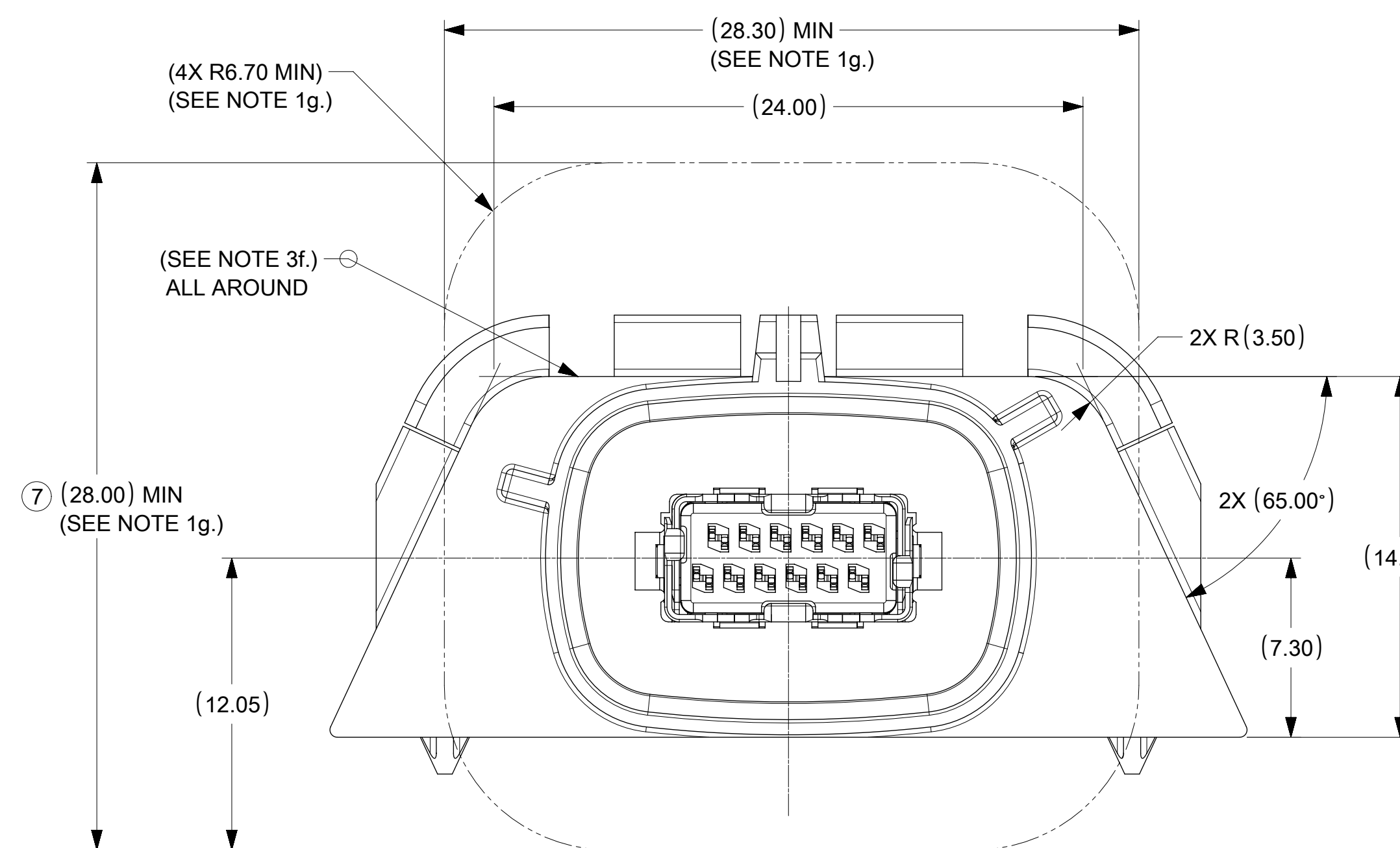
DIM 7	
PART NUMBER	VALUE
34857-0X06	2.25
34857-0X16	1.75



PCB CLEAROUT REGIONS



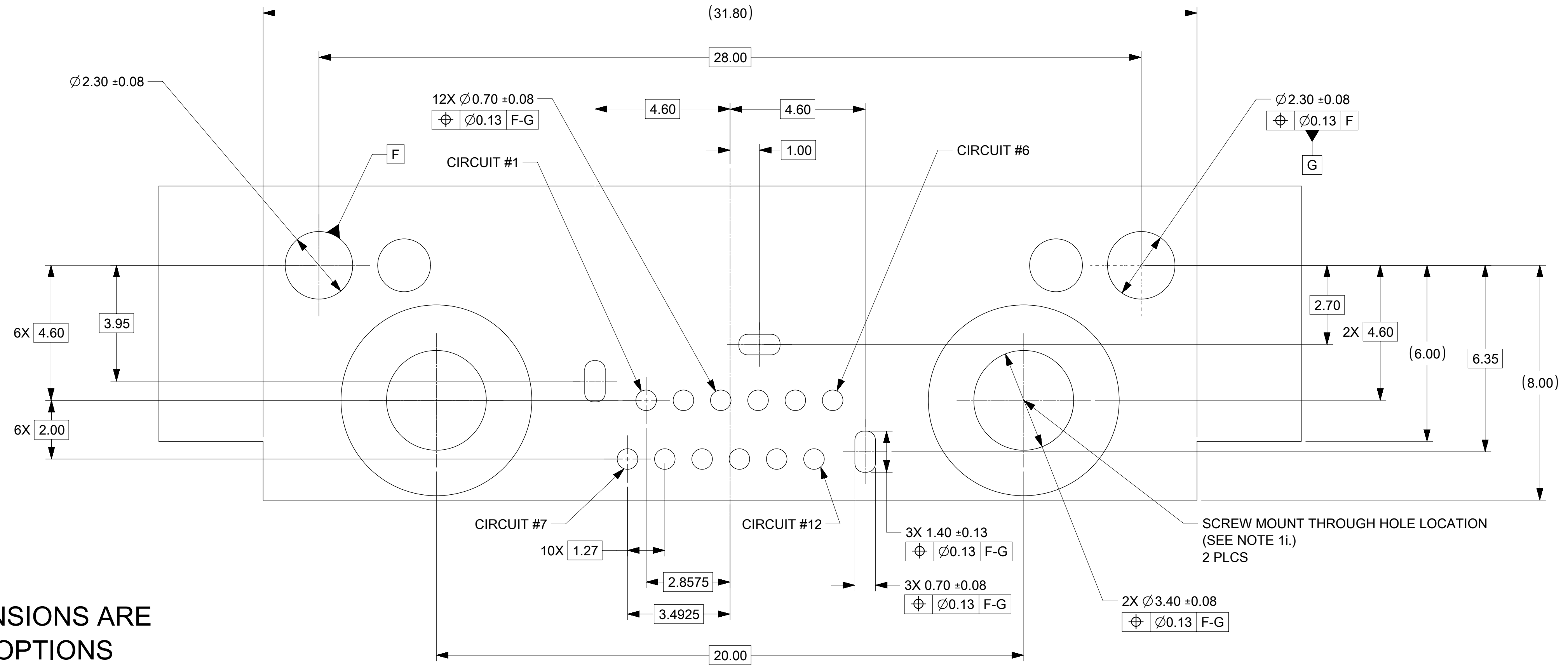
HEADER-TO-MODULE INTERFACE REQUIREMENTS



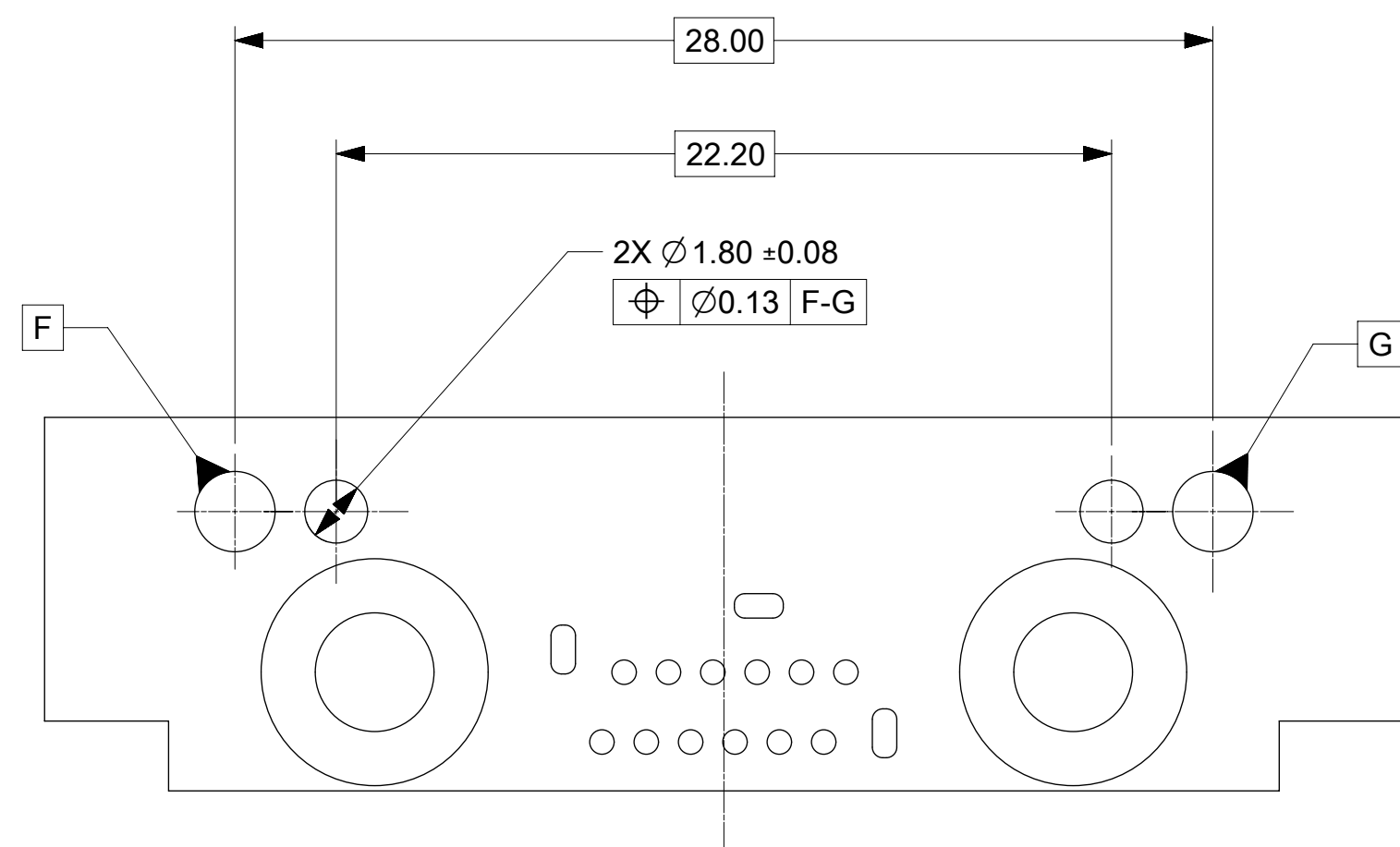
THIS DRAWING CONTAINS INFORMATION THAT IS PROPRIETARY TO MOLEX ELECTRONIC TECHNOLOGIES, LLC AND SHOULD NOT BE USED WITHOUT WRITTEN PERMISSION

DIMENSION UNITS mm	SCALE 5:1	CURRENT REV DESC: UPDATED PCB LAYOUT - PIN HOLE DIA					
GENERAL TOLERANCES (UNLESS SPECIFIED)						12 CKT HSAUTOLINK II R/A SEALED HEADER ASM FLANGED	
ANGULAR TOL ± 1.0°	4 PLACES ±	EC NO: 697379	PRODUCT CUSTOMER DRAWING				
3 PLACES ±	2 PLACES ± 0.13	DRWN: DGILKEY 2020/05/15	DOCUMENT NUMBER	DOC TYPE	DOC PART	REVISION	
2 PLACES ± 0.13	1 PLACE ± 0.25	CHK'D: SMAMIDINAGAV 2020/08/10	SD-34857-001	PSD	000	B4	
0 PLACES ±		APPR: SMAMIDINAGAV 2022/03/15					INITIAL REVISION:
DRAFT WHERE APPLICABLE MUST REMAIN WITHIN DIMENSIONS		THIRD ANGLE PROJECTION	DRAWING	SERIES	MATERIAL NUMBER	CUSTOMER	SHEET NUMBER
			D-SIZE	34857	GENERAL MARKET		2 OF 3

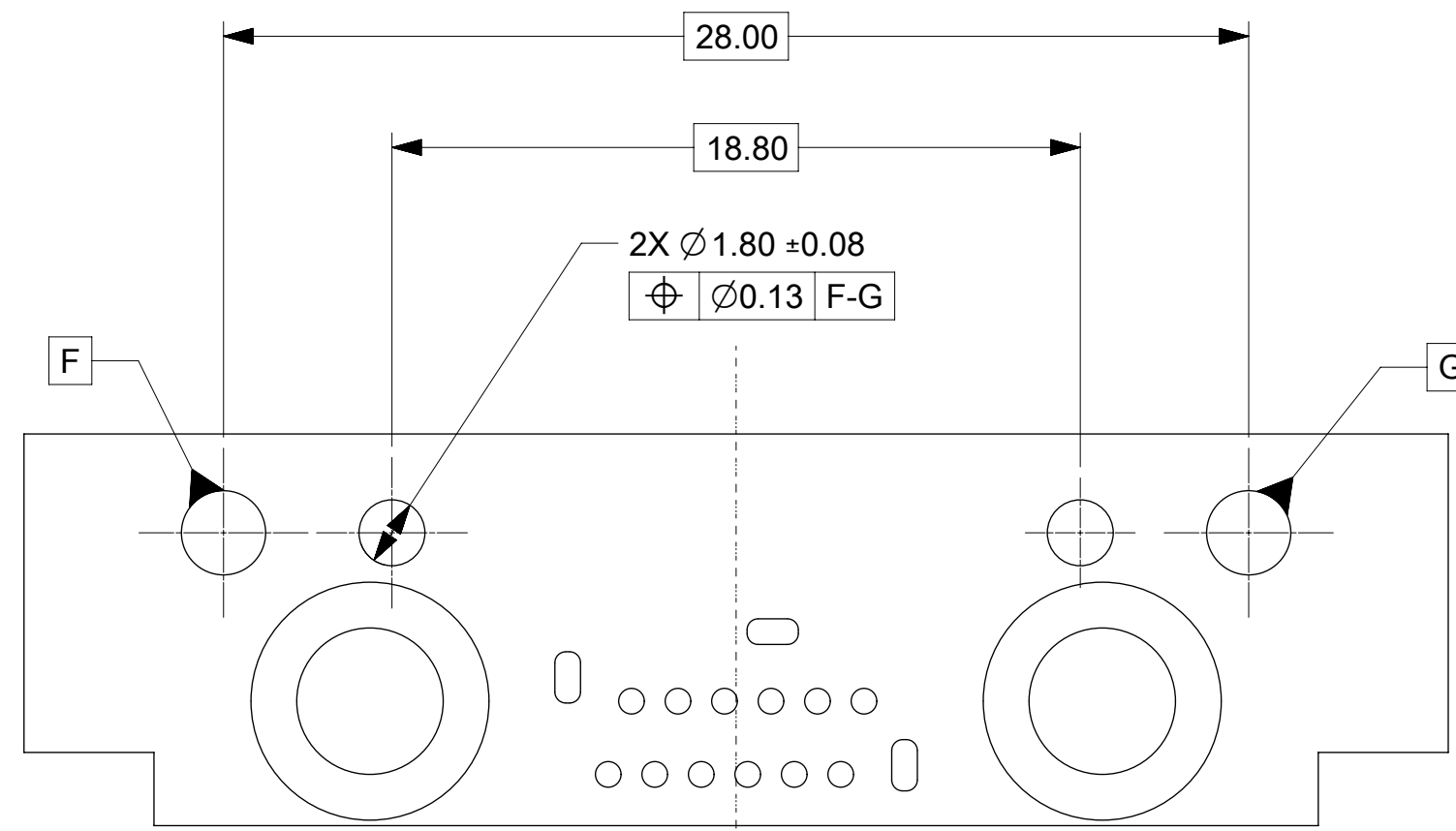
RECOMMENDED PCB LAYOUT - HEADER SIDE PCB



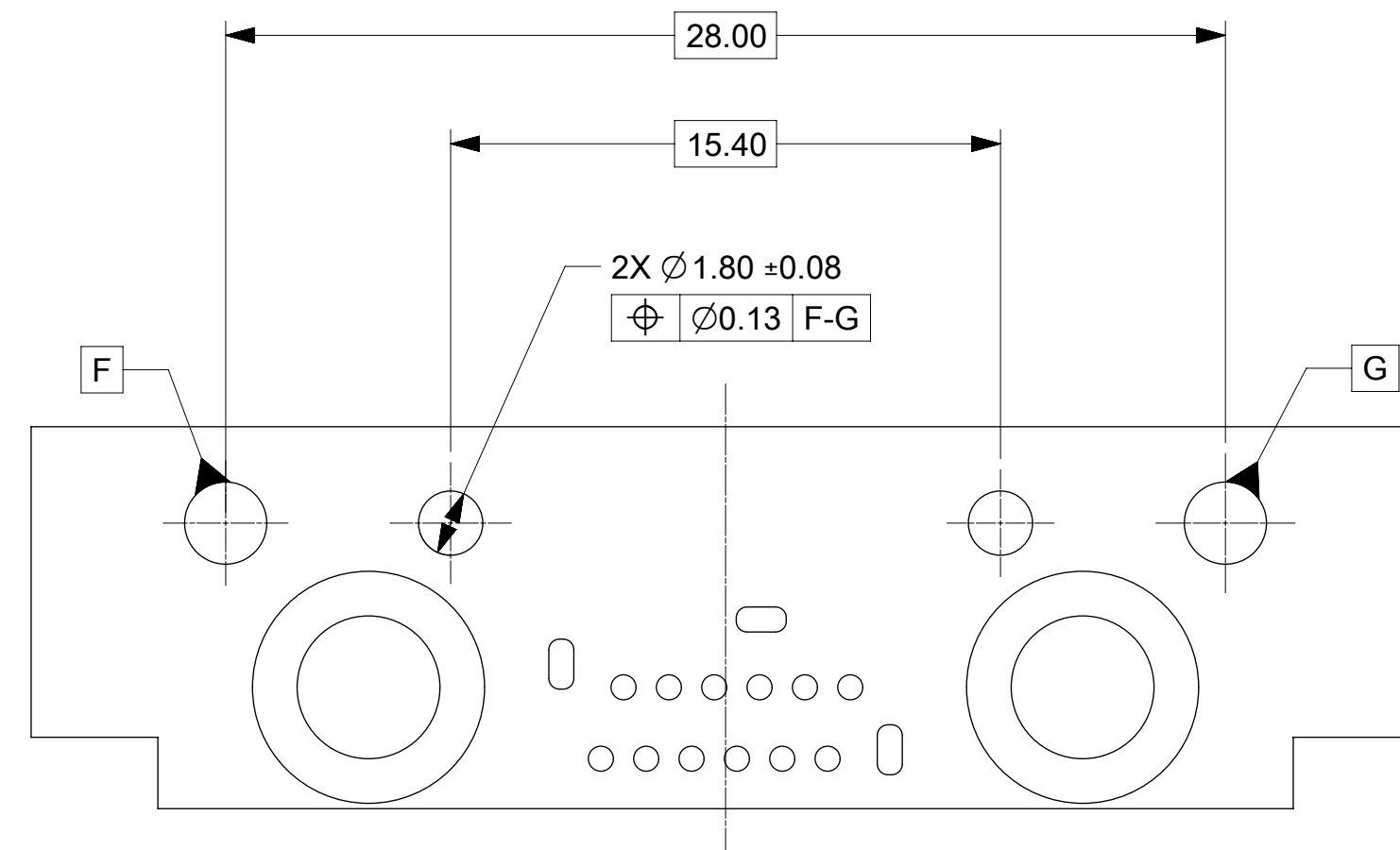
ALL THROUGH HOLE DIMENSIONS ARE APPLICABLE FOR ALL KEY OPTIONS



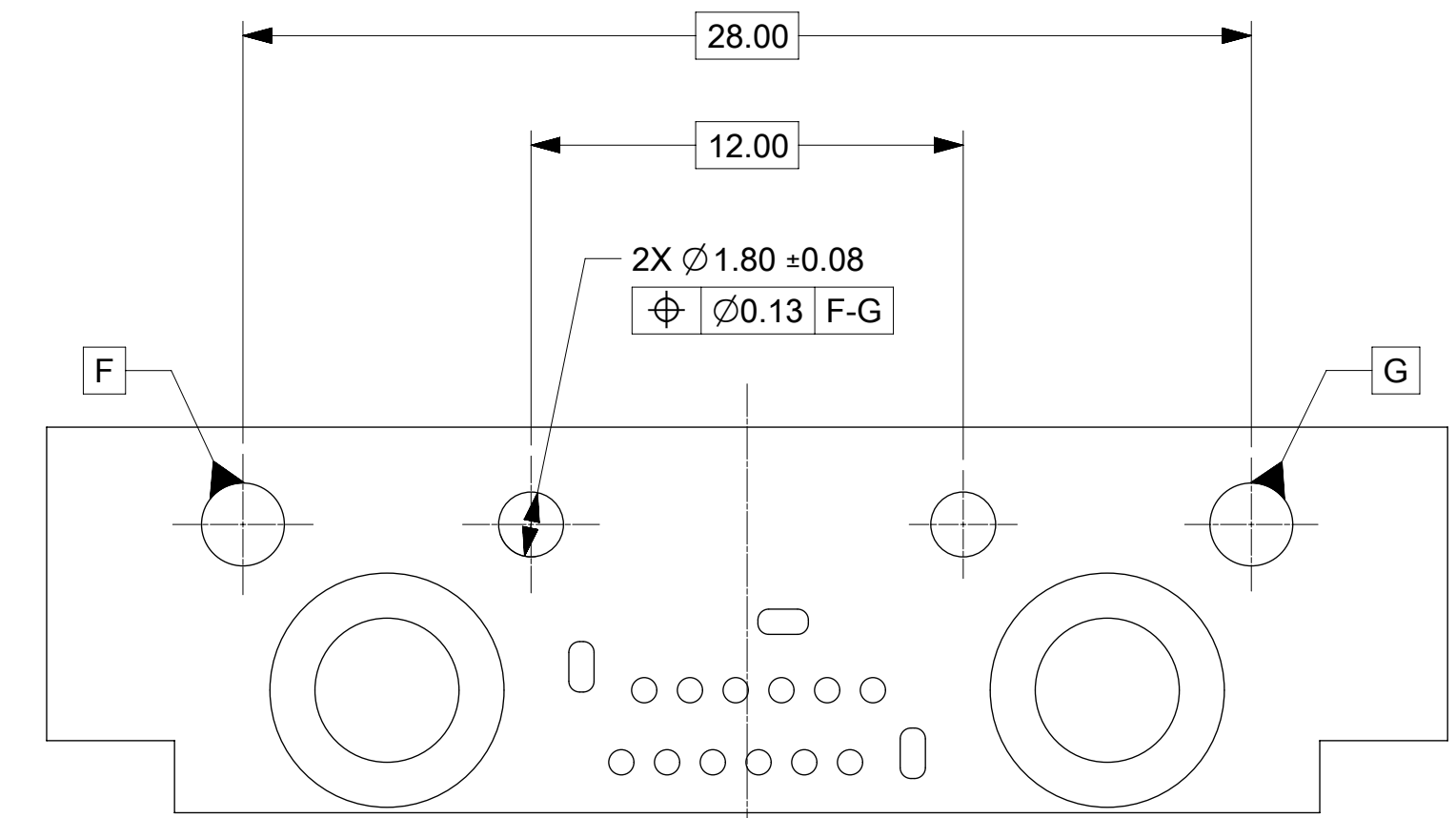
PCB KEY FEATURES
OPTION 'A'



PCB KEY FEATURES
OPTION 'B'



PCB KEY FEATURES
OPTION 'C'



PCB KEY FEATURES
OPTION 'D'

THIS DRAWING CONTAINS INFORMATION THAT IS PROPRIETARY TO MOLEX ELECTRONIC TECHNOLOGIES, LLC AND SHOULD NOT BE USED WITHOUT WRITTEN PERMISSION

DIMENSION UNITS	SCALE	CURRENT REV DESC: UPDATED PCB LAYOUT - PIN HOLE DIA	molex		
mm	10:1				
GENERAL TOLERANCES (UNLESS SPECIFIED)		EC NO: 697379	12 CKT HSAUTOLINK II R/A SEALED HEADER ASM FLANGED		
ANGULAR TOL	± 1.0°	DRWN: DGILKEY 2020/05/15	PRODUCT CUSTOMER DRAWING		
4 PLACES	±	CHK'D: SMAMIDINAGAV 2020/08/10	DOCUMENT NUMBER		
3 PLACES	±	APPR: SMAMIDINAGAV 2022/03/15	DOC TYPE DOC PART REVISION		
2 PLACES	± 0.13	INITIAL REVISION:	SD-34857-001 PSD 000 B4		
1 PLACE	± 0.25	DRWN: CDILLON 2011/08/04	MATERIAL NUMBER		
0 PLACES	±	APPR: SMARCEAU 2011/08/08	CUSTOMER		
DRAFT WHERE APPLICABLE MUST REMAIN WITHIN DIMENSIONS	THIRD ANGLE PROJECTION	DRAWING	SERIES	SHEET NUMBER	
		D-SIZE	34857	3 OF 3	
				GENERAL MARKET	