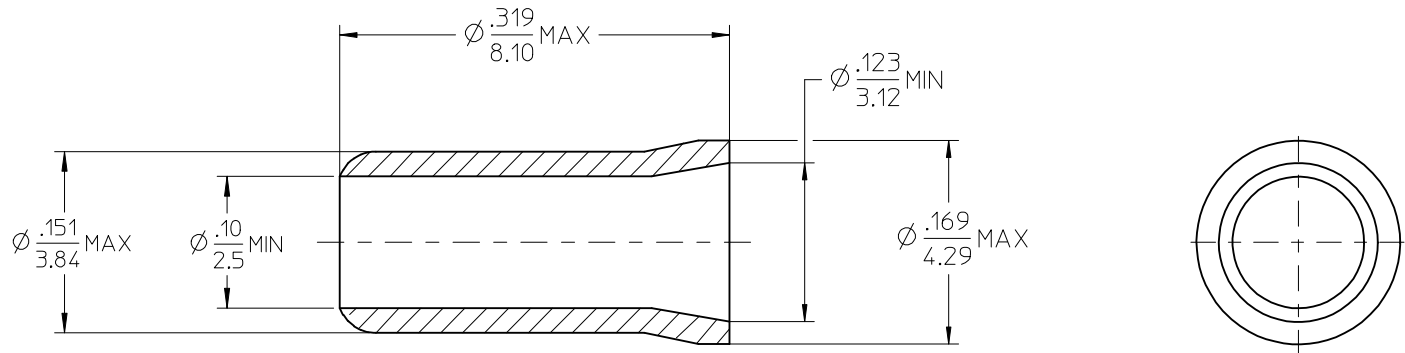


MATERIAL NUMBER	ENGINEERING NUMBER	DESCRIPTION
191600022	CE-2212	LOOSE PIECE
191600146	CE-2212 MC50	STANDARD BAG OF 100 PCS



SALES DRAWING

NOTE(S):
 1. MATERIAL: COPPER (.020/0.51).
 2. PLATING: ELECTROPLATE TIN.
 3. ALL DIMENSIONS IN INCHES/(MM).
 WIRE SIZES: 22-12 AWG
 0.34-4.0 MM

REL. TO W/MANAGER	EC NO: DRW:DMYRICK 2004/10/28 CHKD:RDEROSS APPR:	DESCRIPTION	QUALITY SYMBOLS	GENERAL TOLERANCES (UNLESS SPECIFIED)		DIMENSION STYLE		SCALE	DESIGN UNITS	THIRD ANGLE PROJECTION
			▼=0 ▽=0	mm	INCH	IN/MM		10:1	INCH	Molex MOLEX INCORPORATED DOCUMENT NO. SD-19160-009 SHEET NO. 1 OF 1
				4 PLACES ±---	±---	DRAWN BY	DATE	TITLE		
				3 PLACES ±---	±---	DMYRICK	2004/10/28	INSERT CLOSED-END CONNECTOR 22-12 AWG		
2 PLACES ±---	±---	CHECKED BY	DATE							
1 PLACE ±---	±---	RDEROSS	2004/10/28							
		ANGULAR ±---°		APPROVED BY	DATE					
				RDEROSS	2004/10/28					
				MATERIAL NO.						
				SEE CHART						
				SIZE B						
				THIS DRAWING CONTAINS INFORMATION THAT IS PROPRIETARY TO MOLEX INCORPORATED AND SHOULD NOT BE USED WITHOUT WRITTEN PERMISSION						