

6

5

4

3

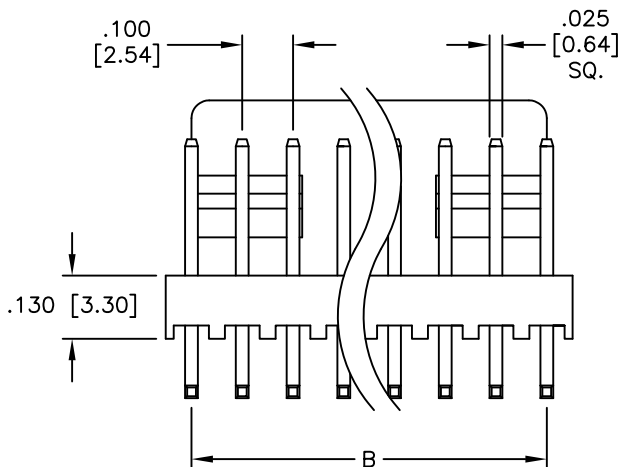
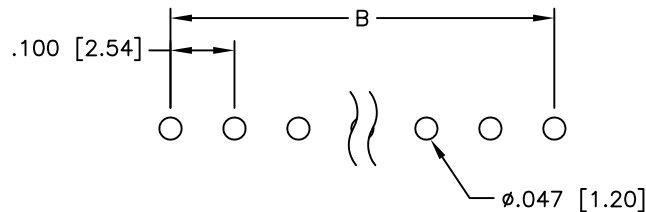
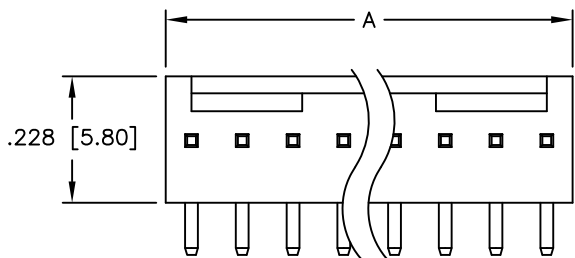
2

1

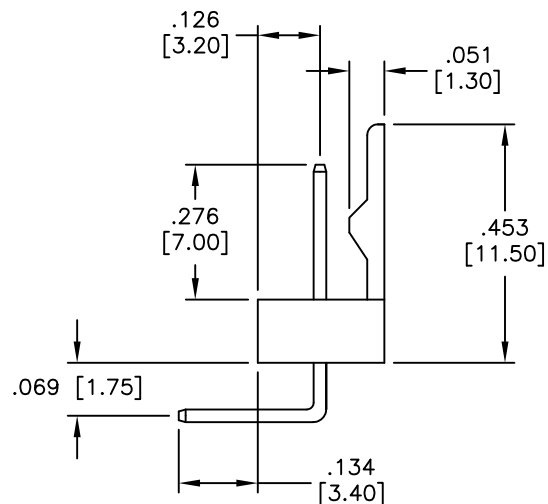
APPROVED: _____

DATE: _____ TITLE: _____

Rev	AWO #	Description	Date	Appr
-		RELEASED	4/8/05	



PCB LAYOUT



SPECIFICATIONS:

Material:
 Insulator: Nylon 66, rated UL 94V-2
 Insulator color: White
 Contacts: Brass
 Plating:
 Tin over Copper underplate overall
 Electrical:
 Operating voltage: 250 VAC max
 Current rating: 3 Amps max
 Dielectric withstanding voltage: 1,500 VAC for 1 minute
 Temperature Rating:
 Operating temperature: -40°C to +105°C
 Environmental:
 Lead free, RoHS compliant



Positions: 2 thru 20

A = .100 [2.54] x No. of Positions

B = .100 [2.54] x No. of Spaces

UNLESS OTHERWISE SPECIFIED
 ALL DIMENSIONS ARE INCHES [MM]
 TOLERANCES: EXCEPT AS NOTED

INCHES	HOLES
.X ± .10	ϕ .X ± .10
.XX ± .020	ϕ .XX ± .015
.XXX ± .015	ϕ .XXX ± .010

ADAM TECH

909 Rahway Avenue, Union, NJ 07083
 Phone: 908-687-5000 Fax: 908-687-5710

TITLE
**.100 [2.54] LOCKING HEADER
 RIGHT ANGLE, PCB**

APPROVALS		DATE
DRAWN	SS	4/8/05
CHECKED		
APPROVED		

SIZE X	PART NO. LHA-XX-TRA	REV. -
REF: S00123T	SCALE: NTS	SHEET 1 OF 1

6

5

4

3

2

1