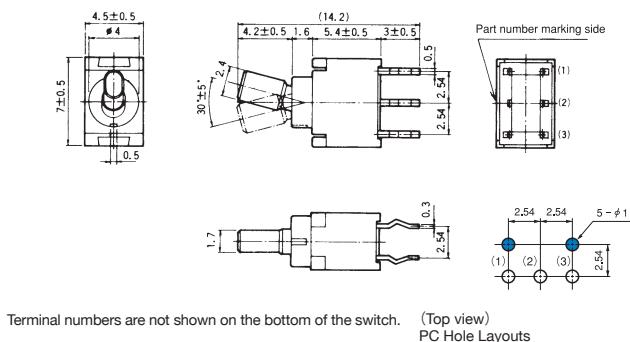


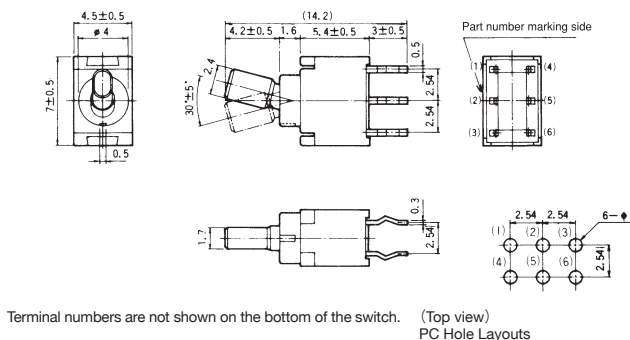
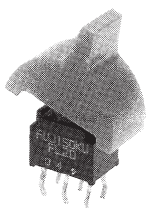
SPDT



Mount with Rocker
PC Straight

Switching function	Viewed from part No. marking side		
Part No.			
FL1D-2M-Z	ON	—	ON
▲FL1E-2M-Z	ON	OFF	ON
▲FL1F-2M-Z	(ON)	—	ON
★FL1G-2M-Z	(ON)	OFF	(ON)
▲FL1H-2M-Z	(ON)	OFF	ON
Connecting terminals	2-1	—	2-3

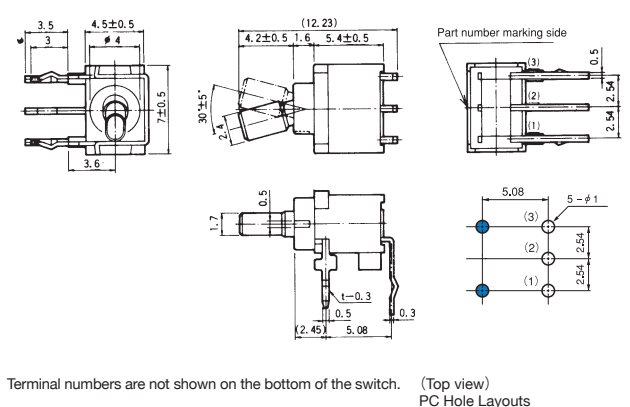
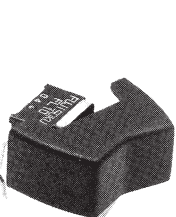
DPDT



Mount with Lever
PC Straight

Switching function	Viewed from part No. marking side		
Part No.			
★FL2D-2M-Z	ON	—	ON
▲FL2E-2M-Z	ON	OFF	ON
★FL2F-2M-Z	(ON)	—	ON
★FL2G-2M-Z	(ON)	OFF	(ON)
▲FL2H-2M-Z	(ON)	OFF	ON
Connecting terminals	2-1 5-4	—	2-3 5-6

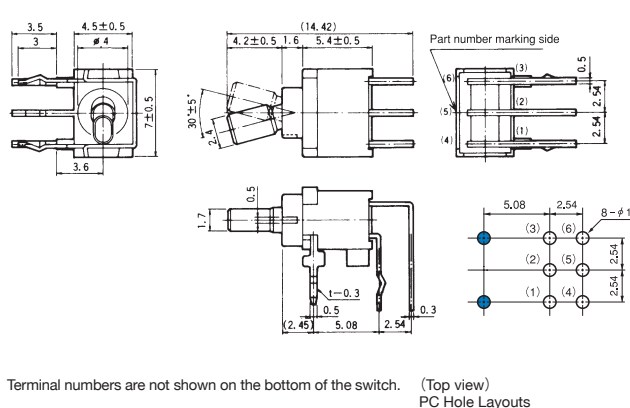
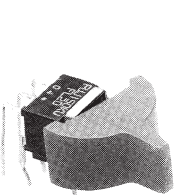
SPDT



Mount with Rocker
R/A

Switching function	Viewed from part No. marking side		
Part No.			
★FL1D-5M-Z	ON	—	ON
▲FL1E-5M-Z	ON	OFF	ON
▲FL1F-5M-Z	ON	—	(ON)
▲FL1FA-5M-Z	(ON)	—	ON
★FL1G-5M-Z	(ON)	OFF	(ON)
▲FL1H-5M-Z	ON	OFF	(ON)
▲FL1HA-5M-Z	(ON)	OFF	ON
Connecting terminals	2-3	—	2-1

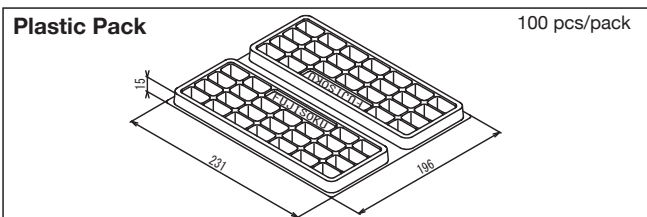
DPDT



Mount with Lever
R/A

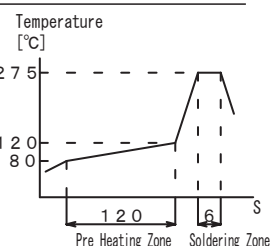
Switching function	Viewed from part No. marking side		
Part No.			
★FL2D-5M-Z	ON	—	ON
▲FL2E-5M-Z	ON	OFF	ON
▲FL2F-5M-Z	ON	—	(ON)
▲FL2FA-5M-Z	(ON)	—	ON
▲FL2G-5M-Z	(ON)	OFF	(ON)
▲FL2H-5M-Z	ON	OFF	(ON)
▲FL2HA-5M-Z	(ON)	OFF	ON
Connecting terminals	2-3 5-6	—	2-1 5-4

■ Packaging Specifications



■ Soldering Specifications

- (1) Manual Soldering
Device: Soldering iron
380°C, Max.; 3 seconds, Max.
- (2) Auto Soldering
Device: Jet wave type or dip type
275°C; 6 seconds, Max.



★ : Made to order products.