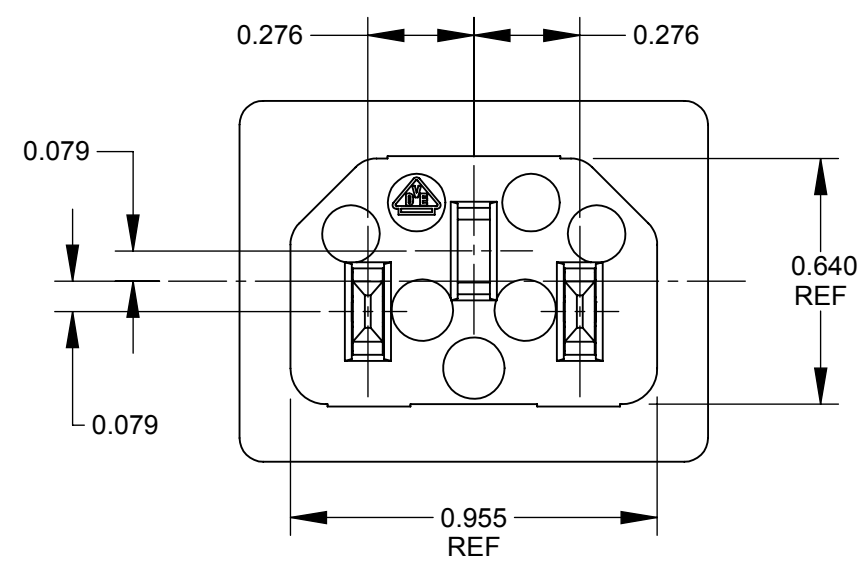
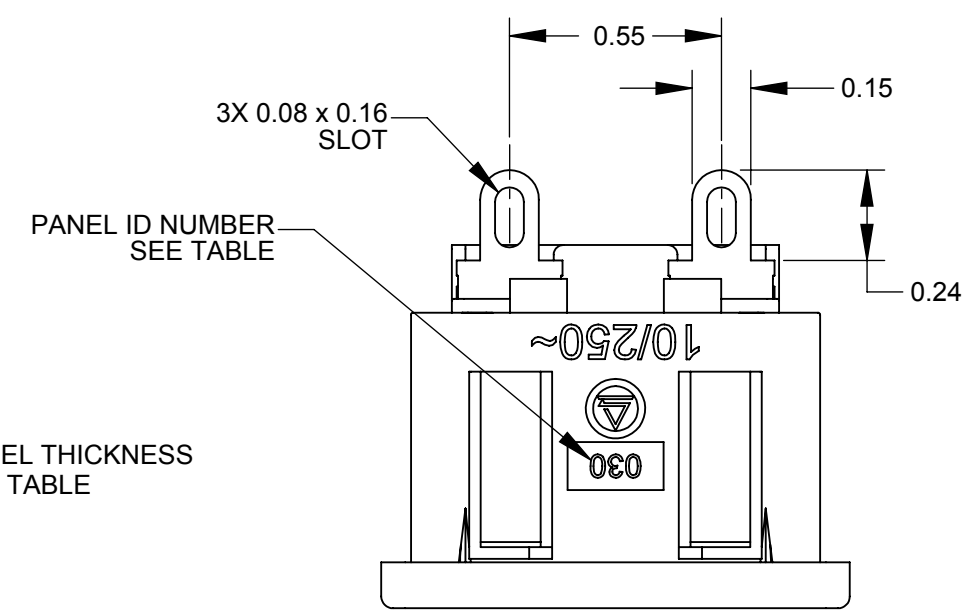
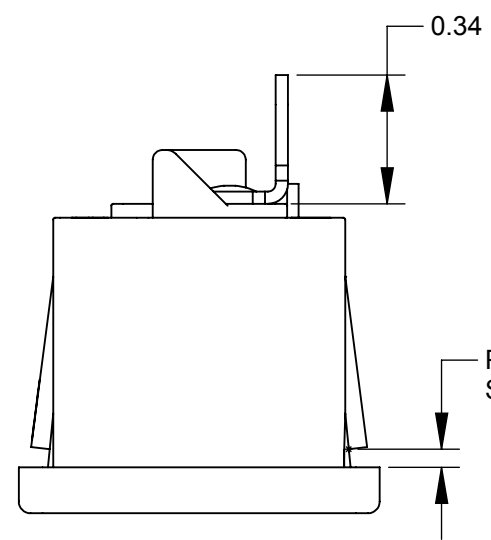
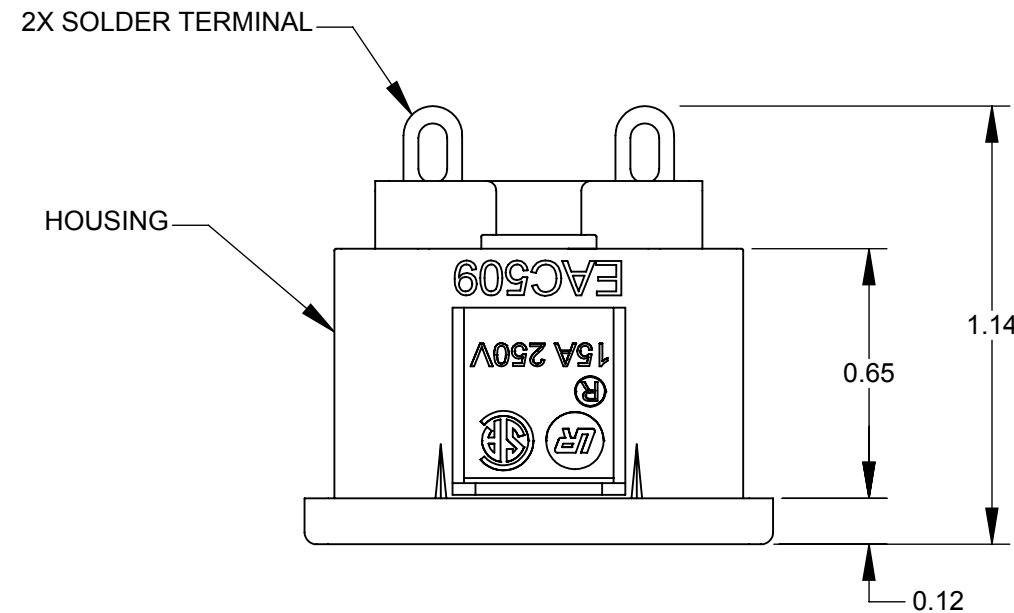
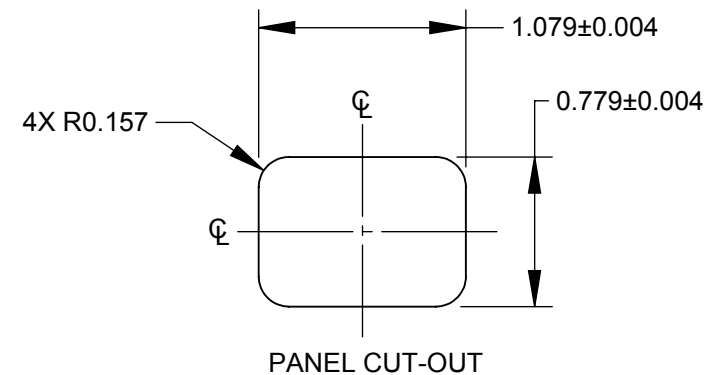
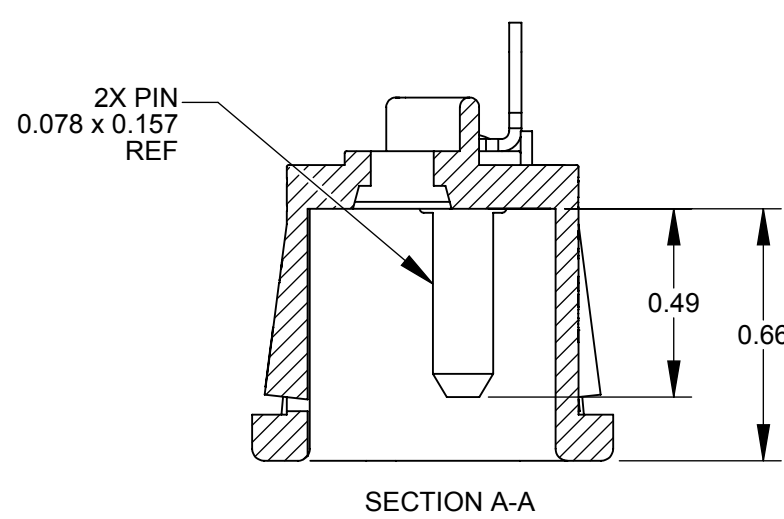
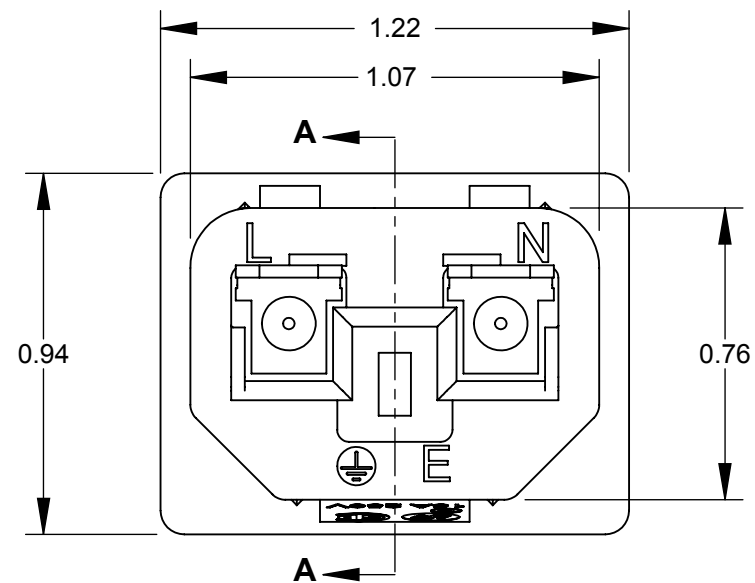
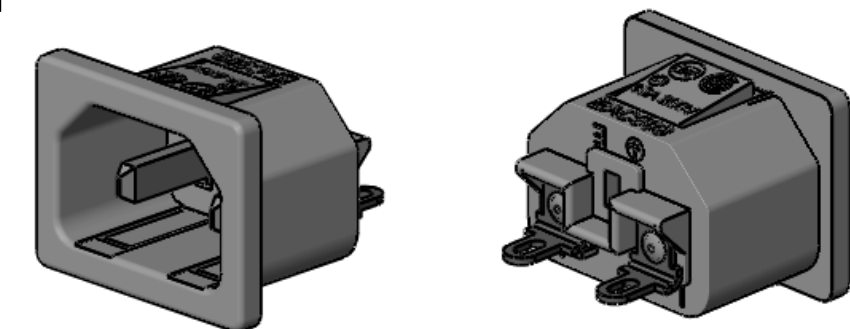


PART NUMBER	PANEL ID NUMBER	PANEL THICKNESS
EAC509030	030	0.030 - 0.040
EAC509040	040	0.040 - 0.050
EAC509050	050	0.050 - 0.060
EAC509060	060	0.060 - 0.070



- NOTES:
1. AGENCY APPROVAL & RATING:  
UL & CSA: 15A 250V  
VDE: 10A, 250V
  2. MEETS IEC 60320 SPECIFICATION
  3. MATERIALS:  
HOUSING: BLACK POLYESTER  
TERMINALS: TIN PLATED COPPER ALLOY  
CONTACT PINS: TIN PLATED COPPER ALLOY



**CUSTOMER DRAWING**

REV	ECO NUMBER	DATE	BY	APVD
H	26912	02/16/12	BL	TJK
G	24129	03/27/02	BL	TJK
REVISIONS				

UNLESS OTHERWISE SPECIFIED

1. ALL DIMENSIONS IN INCHES

- TWO PLACE DECIMALS ±0.02

- THREE PLACE DECIMALS ±0.005

**DO NOT SCALE DRAWING**

THIS DRAWING DESCRIBES A DESIGN CONSIDERED PROPRIETARY IN NATURE, DEVELOPED AND MANUFACTURED BY SWITCHCRAFT INC. AND IS RELEASED ON A CONFIDENTIAL BASIS FOR IDENTIFICATION PURPOSES ONLY.										
SIZE	WIDTH	MULT	LBS/M	TEMPER						
FINISH SPEC No.					MATERIAL SPEC No.					
FIRST USED ON					SCALE 2:1					
DATE DRAWN	BY	CHKD	APVD							
06/05/84	THS	AM	RV							
			02/23/87	02/23/87						
NAME 2 PIN SNAP-IN MALE AC RECEPTACLE SOLDER TERMINALS								PART No. EAC509 SERIES		REV H