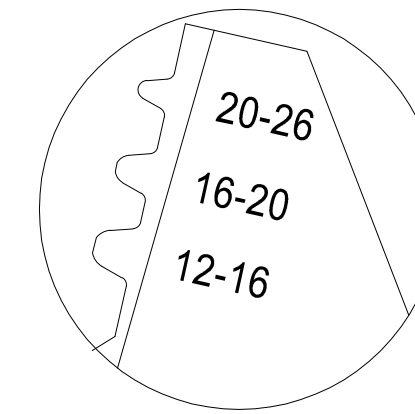
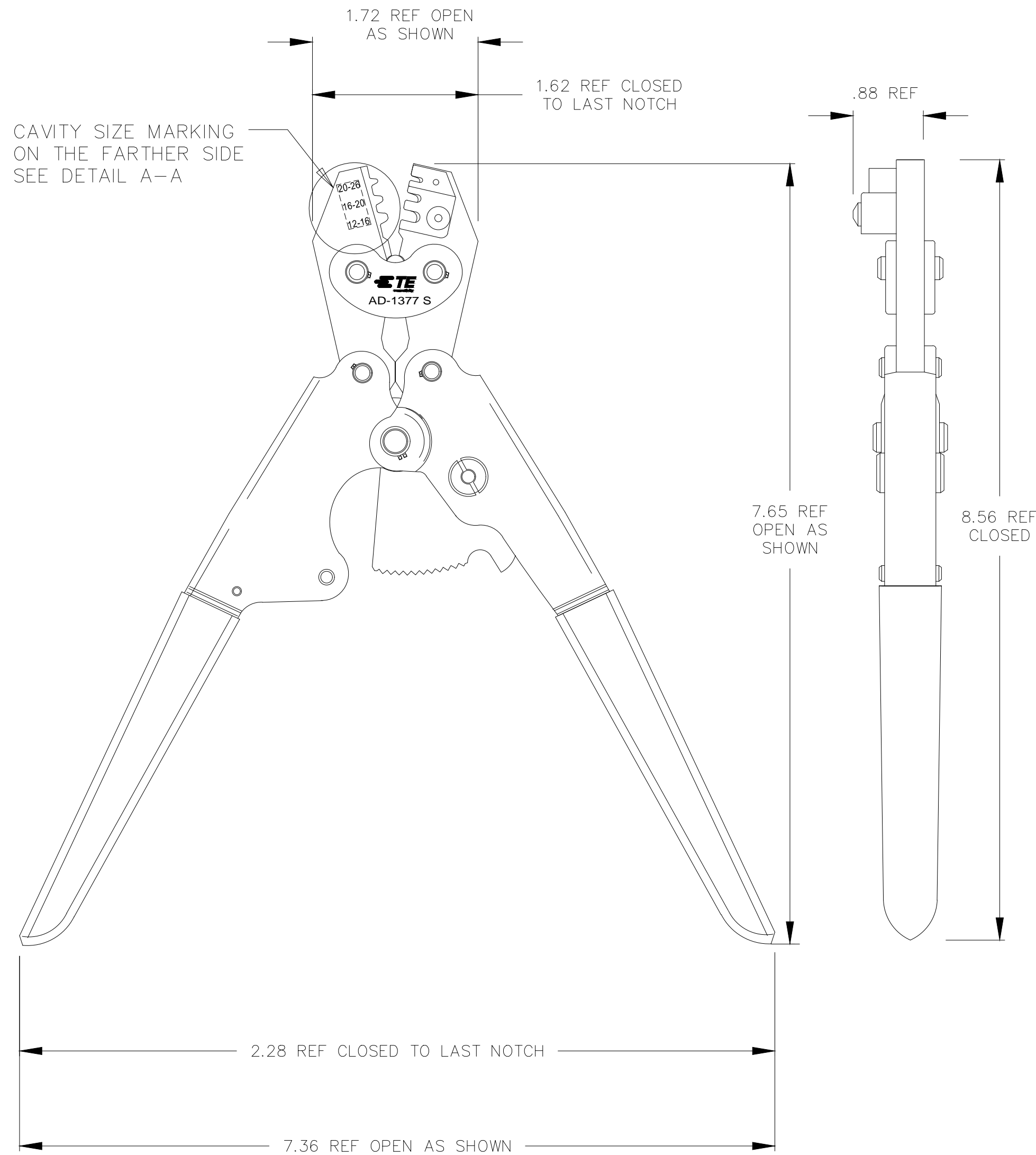


REVISIONS					
P	LTR	DESCRIPTION	DATE	DWN	APVD
K3		RELEASED AS PER ECO-20-014466	14OCT2020	JZ	NP



DETAIL A-A
CAVITY SIZE MARKING

NOTES:

- UNLESS OTHERWISE SPECIFIED, DIMENSIONS ARE IN INCHES.
- THE AD-1377 CRIMP TOOL IS DESIGNED TO MAKE WIRE SPLICES UTILIZING TYCO ELECTRONICS CRIMP SPLICES OF THE FOLLOWING SIZES:

TOOL CAVITY	12 - 16		16 - 20		20 - 26	
	I.D.	O.D.	I.D.	O.D.	I.D.	O.D.
CRIMP SPLICER SIZE	.102	.153	.069	.106	.050	.080
	.097	.147	.064	.101	.045	.075

- WHEN MADE WITH A CALIBRATED AD-1377 CRIMP TOOL, THESE WIRE SPLICES WILL MEET THE VOLTAGE DROP AND TENSILE STRENGTH REQUIREMENTS OF THE APPLICABLE TYCO ELECTRONICS CUSTOMER DRAWING FOR CRIMP SPLICING SYSTEMS.
- A CALIBRATED AD-1377 CRIMP TOOL HAS THE FOLLOWING CHARACTERISTICS:
 - AD-1377 CRIMP TOOL IS SUPPLIED WITH A FACTORY-SET RATCHET ADJUSTMENT: A COMPRESSIVE FORCE OF 40-50 LBS APPLIED 1.25 ± .12 INCHES FROM THE END OF THE HANDLES SHALL BE REQUIRED TO COMPLETELY CLOSE THE JAWS BEFORE THE RATCHET MECHANISM RELEASES THE HANDLES. THE FACTORY SETTINGS OF THE RATCHET ARE NOT DESIGNED TO BE ADJUSTED.
 - TO CALIBRATE THE TOOL, USE A "GO/NO GO" GAUGE. WITH THE JAWS OF THE TOOL FULLY CLOSED (TIPS TOUCHING AND RATCHET IN LAST NOTCH), THE "GO" GAUGE SHALL FIT IN THE SPACE BETWEEN THE INDENTER AND ITS CORRESPONDING CAVITY. THE "NO GO" GAUGE SIDE SHALL NOT FIT IN THIS SPACE. GAUGE SIZES ARE AS FOLLOWS:

TOOL CAVITY	"GO"	"NO GO"
12 - 16	.062 DIA.	.072 DIA.
16 - 20	.042 DIA.	.052 DIA.
20 - 26	.025 DIA.	.035 DIA.

- ON RECEIPT OF A NEW TOOL, THE CUSTOMER SHOULD CALIBRATE AS PER INSTRUCTION B.
 - THE AD-1377 IS NOT SUPPLIED WITH A CALIBRATION CERTIFICATE. THE PRODUCT WILL BE SUPPLIED IN CONFORMANCE WITH OUR DRAWING.
- IDENTIFICATION OF THE SUGGESTED SOURCE(S) OF SUPPLY HEREON IS NOT TO BE CONSTRUED AS A GUARANTEE OF PRESENT OR CONTINUED AVAILABILITY AS A SOURCE OF SUPPLY FOR THE ITEM (S).
 - ITEM MARKING: AD-1377 S
PCN# 959025-000
DEPT. 1062

THE TE CONNECTIVITY AD-1386 CRIMP TOOL GAUGE IS RECOMMENDED FOR THIS PURPOSE.

TCPN :959025-000

THIS DRAWING IS A CONTROLLED DOCUMENT.		DWN J.ZULU 14OCT2020																						
DIMENSIONS: INCHES		CHK M.GOWDA 14OCT2020																						
TOLERANCES UNLESS OTHERWISE SPECIFIED:		APVD N.PRSYBYSKA 14OCT2020	NAME AD-1377 S CRIMP TOOL																					
<table border="0"> <tr><td>0 PLC</td><td>±</td><td>-</td></tr> <tr><td>1 PLC</td><td>±</td><td>-</td></tr> <tr><td>2 PLC</td><td>±</td><td>-</td></tr> <tr><td>3 PLC</td><td>±</td><td>-</td></tr> <tr><td>4 PLC</td><td>±</td><td>-</td></tr> <tr><td>ANGLES</td><td>±</td><td>-</td></tr> </table>		0 PLC	±	-	1 PLC	±	-	2 PLC	±	-	3 PLC	±	-	4 PLC	±	-	ANGLES	±	-	PRODUCT SPEC APPLICATION SPEC	SIZE A2	CAGE CODE 06090	DRAWING NO AD-1377-6	RESTRICTED TO -
0 PLC	±	-																						
1 PLC	±	-																						
2 PLC	±	-																						
3 PLC	±	-																						
4 PLC	±	-																						
ANGLES	±	-																						
MATERIAL -		FINISH -	WEIGHT	SCALE DNS	SHEET 1 OF 1	REV K3																		
CUSTOMER DRAWING																								