



Quality Products. Service Excellence.

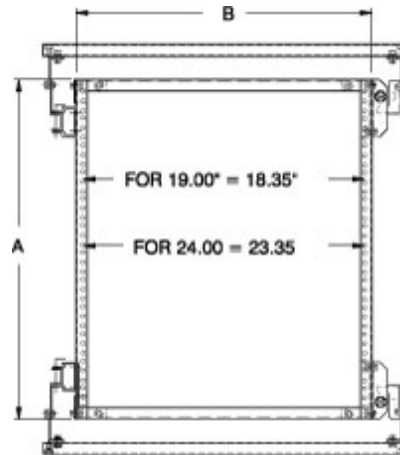
Mounting Rack Rail Swing Frame *S2CSWF Series*

For use with the Series 2000 Enclosures



- Available in 19" and 24" widths.
- Variable depth feature allows front to rear adjustment.
- Installs with either left or right hinging.
- Mounts onto Rail Support Kits (not included).
- Clip nuts required for mounting to punched rails.
- Finished in textured black.
- TAA compliant for GSA Schedule purchases.
- RoHS Compliant.
- Manufactured in North America.

Gallery



Part No.	Fits Console Unit	Fits Console Size	Panel			
			Width	Height	A	B
2CSFT19	Turrets/Terminal	24,36,48,60	19"	8U	15.75	19.28
2CSFT24	Turrets/Terminal	36,48,60	24"	8U	15.75	24.28
2CSFB19	Bases	24,36,48,60	19"	12U	22.09	19.28
2CSFB24	Bases	36,48,60	24"	12U	22.09	24.28

Tags: Series 2000, rackmount, 19 inch, 24 inch. turret, terminal, desk, swing frame, rail

Data subject to change without notice

