

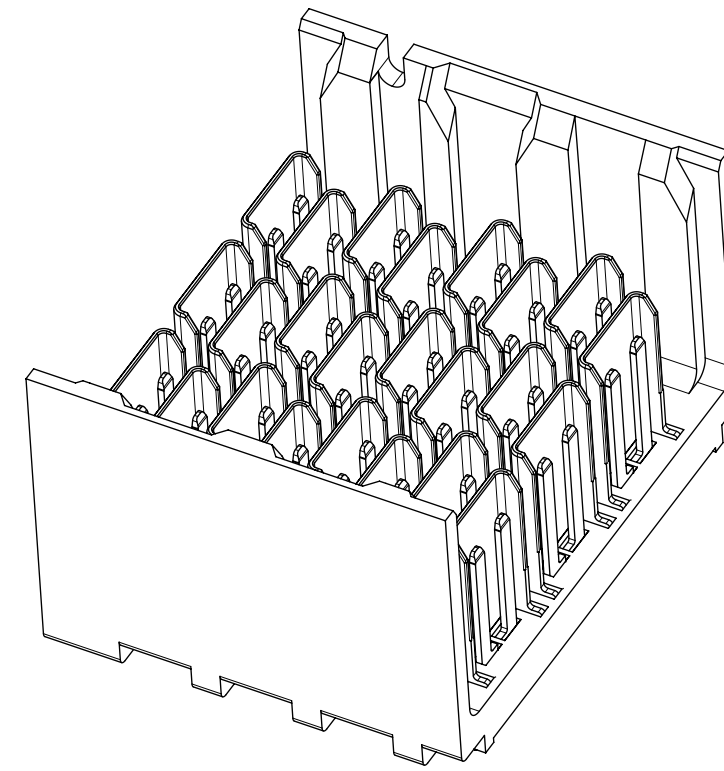
NOTES:

1. MATERIALS: HOUSING - LIQUID CRYSTAL POLYMER (LCP)
GLASS-FILLED, UL94V-0
TERMINALS - HIGH PERFORMANCE COPPER ALLOY
2. FINISH: 30uIN GOLD IN CONTACT AREA.
SELECTIVE TIN ON PCB TAILS.
NICKEL OVERALL.
3. REFER TO MOLEX PRODUCT SPECIFICATION PS-171320-999 FOR PERFORMANCE SPECIFICATIONS.
4. THIS PART CONFORMS TO CLASS B REQUIREMENTS OF MOLEX COSMETIC SPEC PS-45499-002.
5. PRODUCT WILL BE PACKAGED PER PK-78888-082 EXCEPT FOR P/N 171335-1807 & 171335-1808 TO BE PACKAGED PER 1713351807-PK.
6. SEE SHEETS 2 AND 6 FOR HOLE PATTERN AND MATED PART DIMENSIONS.
7. MATES WITH IMPEL DC SERIES NUMBER 171990.
8. REFER TO IMPEL PCB ROUTING GUIDE AS-171320-990 FOR ANTIPAD, ROUTING RECOMMENDATIONS, AND ADDITIONAL PCB INFORMATION.
9. WHEN STACKING MODULES END TO END, THE MINIMUM COLUMN TO COLUMN SPACING IS 2.65mm.

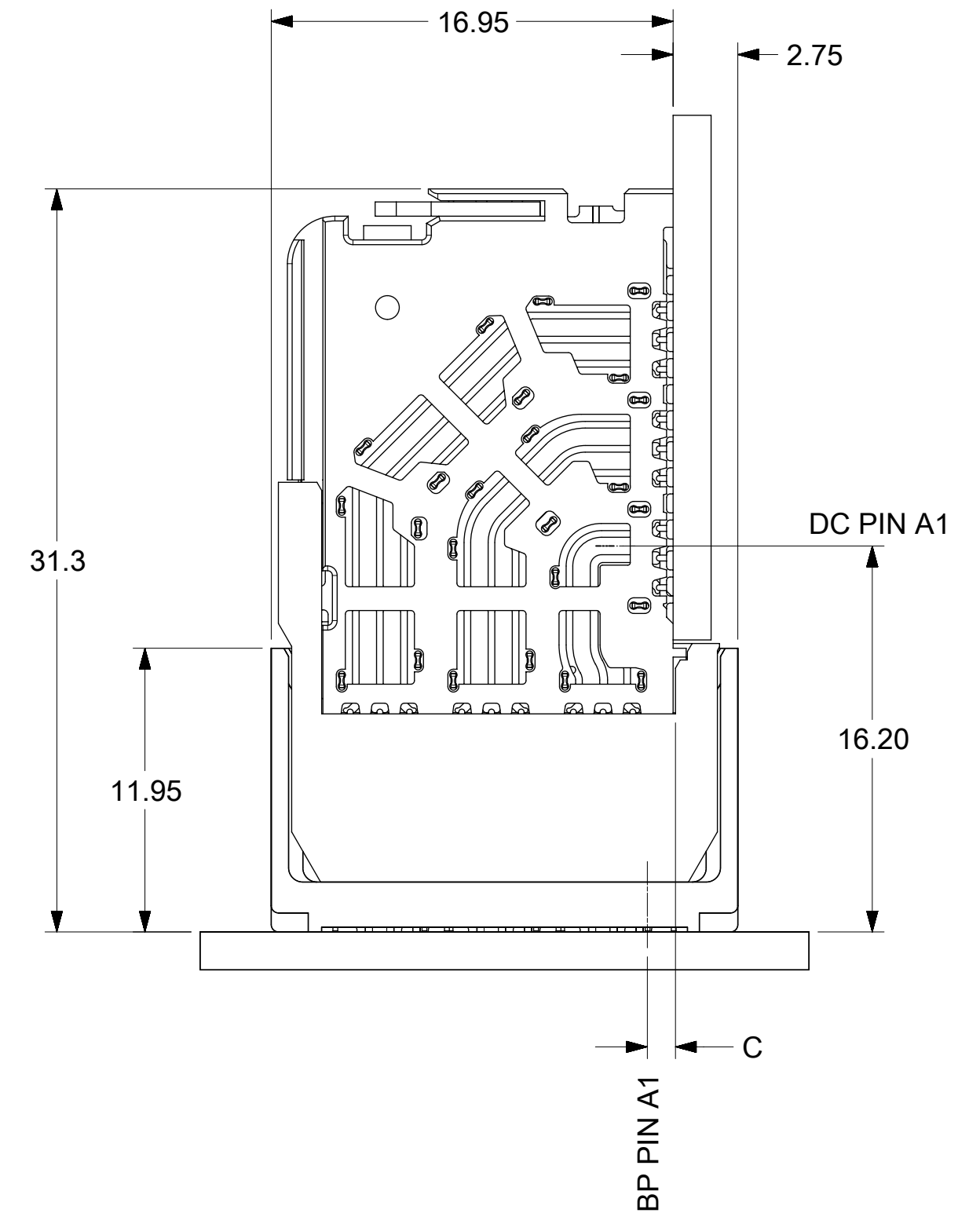
THIS DRAWING CONTAINS INFORMATION THAT IS PROPRIETARY TO MOLEX ELECTRONIC TECHNOLOGIES, LLC AND SHOULD NOT BE USED WITHOUT WRITTEN PERMISSION															
DIMENSION UNITS		SCALE		CURRENT REV DESC: UPDATE PK SPEC											
mm		NTS		<p style="text-align: center;">IMPEL 3 PAIR BACKPLANE UNGUIDED ASSEMBLY SALES DRAWING</p> <p style="text-align: center;">PRODUCT CUSTOMER DRAWING</p>											
GENERAL TOLERANCES (UNLESS SPECIFIED)															
ANGULAR TOL ± 0.5°															
4 PLACES ±		EC NO: 625604								2019/04/08		DOCUMENT NUMBER		DOC TYPE DOC PART REVISION	
3 PLACES ±		DRWN: HLGOH								2019/10/18		SD-171335-0001		PSD 001 B	
2 PLACES ± 0.13		CHK'D: HLGOH		2019/10/24		MATERIAL NUMBER									
1 PLACE ± 0.25		APPR: DWLEE01		INITIAL REVISION:		CUSTOMER									
0 PLACES ±		DRWN: JLAURX		2011/12/16		GENERAL MARKET									
DRAFT WHERE APPLICABLE MUST REMAIN WITHIN DIMENSIONS		THIRD ANGLE PROJECTION		DRAWING		SERIES		SHEET NUMBER							
				C-SIZE		171335		1 OF 6							

DOCUMENT STATUS	P1	RELEASE DATE	2019/10/24	10:09:08
-----------------	----	--------------	------------	----------

MATERIAL NUMBER	NUMBER OF COLUMNS	NUMBER OF DIFF PAIR	DIM "A"	DIM "B"	DIM "C"	DIM "P"	PTH ϕ
171335-1307	6	18	12.00	9.50	1.20	4.90	0.36 \pm 0.05
171335-1804	8	24	15.80	13.30	1.10	4.90	0.46 \pm 0.05
171335-1805	8	24	15.80	13.30	1.10	5.50	0.46 \pm 0.05
171335-1807	8	24	15.80	13.30	1.20	4.90	0.36 \pm 0.05
171335-1808	8	24	15.80	13.30	1.20	5.50	0.36 \pm 0.05
171335-1104	10	30	19.60	17.10	1.10	4.90	0.46 \pm 0.05
171335-1105	10	30	19.60	17.10	1.10	5.50	0.46 \pm 0.05
171335-1107	10	30	19.60	17.10	1.20	4.90	0.36 \pm 0.05
171335-1108	10	30	19.60	17.10	1.20	5.50	0.36 \pm 0.05



OPEN WALL OPTION



MATED PART DIMENSIONS

171335- 1 * * *

MODULE TYPE
1 = UNGUIDED

OF COLUMNS
8 = 8 COL
1 = 10 COL
3 = 6 COL

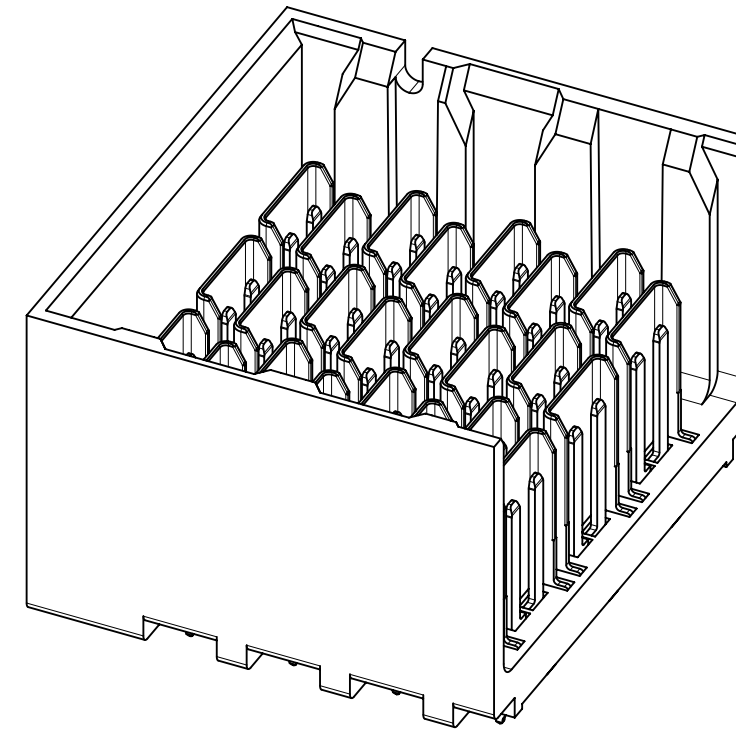
PIN LENGTH (P)
4 = 4.90 (0.46 PTH)
5 = 5.50 (0.46 PTH)
7 = 4.90 (0.36 PTH)
8 = 5.50 (0.36 PTH)

HOUSING STYLE
0 = OPEN ENDS
1 = LEFT END WALL
2 = DUAL END WALL
3 = RIGHT END WALL

THIS DRAWING CONTAINS INFORMATION THAT IS PROPRIETARY TO MOLEX ELECTRONIC TECHNOLOGIES, LLC AND SHOULD NOT BE USED WITHOUT WRITTEN PERMISSION

DIMENSION UNITS	SCALE	CURRENT REV DESC: UPDATE PK SPEC					
mm	NTS						
GENERAL TOLERANCES (UNLESS SPECIFIED)		EC NO: 625604		IMPEL 3 PAIR BACKPLANE UNGUIDED ASSEMBLY SALES DRAWING PRODUCT CUSTOMER DRAWING			
ANGULAR TOL	$\pm 0.5^\circ$	DRWN: HLG0H	2019/04/08				
4 PLACES	\pm	CHK'D: HLG0H	2019/10/18				
3 PLACES	\pm	APPR: DWLEE01	2019/10/24	DOCUMENT NUMBER			
2 PLACES	± 0.13	INITIAL REVISION:		SD-171335-0001			
1 PLACE	± 0.25	DRWN: JLAURX	2011/12/16	DOC TYPE	DOC PART	REVISION	
0 PLACES	\pm	APPR: JLAURX	2012/01/06	PSD	001	B	
DRAFT WHERE APPLICABLE MUST REMAIN WITHIN DIMENSIONS		THIRD ANGLE PROJECTION	DRAWING	SERIES	MATERIAL NUMBER	CUSTOMER	SHEET NUMBER
			C-SIZE	171335	SEE TABLE	GENERAL MARKET	2 OF 6

MATERIAL NUMBER	NUMBER OF COLUMNS	NUMBER OF DIFF PAIR	DIM "A"	DIM "B"	DIM "C"	DIM "P"	PTH ϕ
171335-1814	8	24	17.20	13.30	1.10	4.90	0.46±0.05
171335-1815	8	24	17.20	13.30	1.10	5.50	0.46±0.05
171335-1817	8	24	17.20	13.30	1.20	4.90	0.36±0.05
171335-1818	8	24	17.20	13.30	1.20	5.50	0.36±0.05

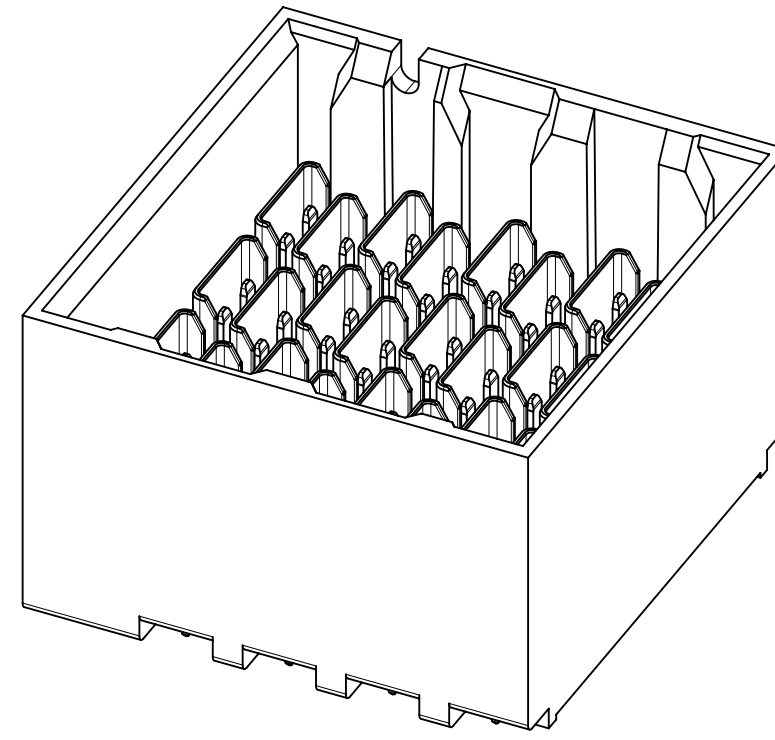


LEFT END WALL OPTION

THIS DRAWING CONTAINS INFORMATION THAT IS PROPRIETARY TO MOLEX ELECTRONIC TECHNOLOGIES, LLC AND SHOULD NOT BE USED WITHOUT WRITTEN PERMISSION									
DIMENSION UNITS		SCALE		CURRENT REV DESC: UPDATE PK SPEC				molex	
mm		NTS							
GENERAL TOLERANCES (UNLESS SPECIFIED)				EC NO: 625604				IMPEL 3 PAIR BACKPLANE UNGUIDED ASSEMBLY SALES DRAWING	
ANGULAR TOL \pm 0.5°				DRWN: HLG0H 2019/04/08					
4 PLACES \pm				CHK'D: HLG0H 2019/10/18					
3 PLACES \pm				APPR: DWLEE01 2019/10/24				PRODUCT CUSTOMER DRAWING	
2 PLACES \pm 0.13				INITIAL REVISION:				DOCUMENT NUMBER	
1 PLACE \pm 0.25				DRWN: JLAURX 2011/12/16				SD-171335-0001	
0 PLACES \pm				APPR: JLAURX 2012/01/06				DOC TYPE DOC PART REVISION	
DRAFT WHERE APPLICABLE MUST REMAIN WITHIN DIMENSIONS				THIRD ANGLE PROJECTION		DRAWING		MATERIAL NUMBER	
						C-SIZE		CUSTOMER	
						SERIES		SHEET NUMBER	
						171335		3 OF 6	
DOCUMENT STATUS		P1		RELEASE DATE		2019/10/24 10:09:08		GENERAL MARKET	
SEE TABLE		GENERAL MARKET							

DOCUMENT STATUS	P1	RELEASE DATE	2019/10/24 10:09:08
-----------------	----	--------------	---------------------

MATERIAL NUMBER	NUMBER OF COLUMNS	NUMBER OF DIFF PAIR	DIM "A"	DIM "B"	DIM "C"	DIM "P"	PTH ϕ
171335-1824	8	24	18.60	13.30	1.10	4.90	0.46±0.05
171335-1825	8	24	18.60	13.30	1.10	5.50	0.46±0.05
171335-1827	8	24	18.60	13.30	1.20	4.90	0.36±0.05
171335-1828	8	24	18.60	13.30	1.20	5.50	0.36±0.05

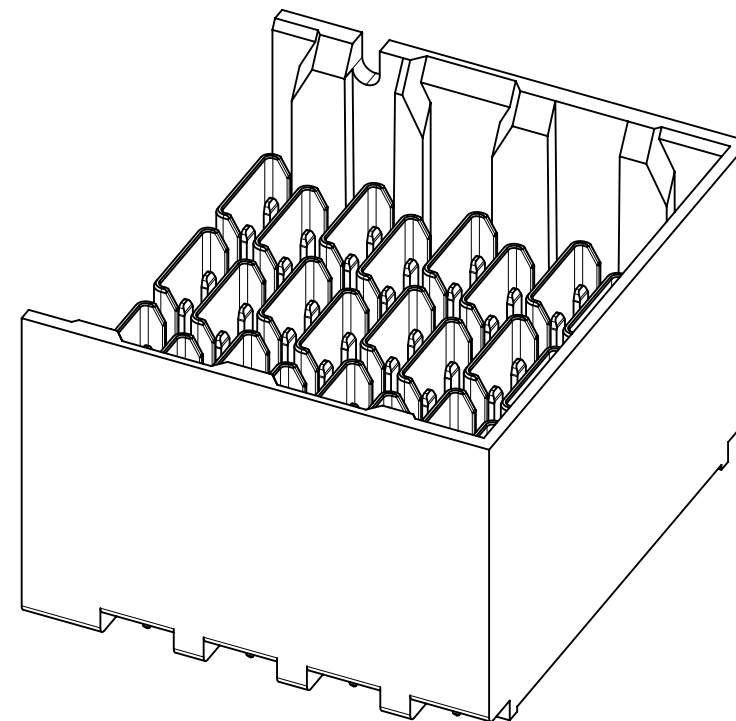


DUAL END
WALL OPTION

THIS DRAWING CONTAINS INFORMATION THAT IS PROPRIETARY TO MOLEX ELECTRONIC TECHNOLOGIES, LLC AND SHOULD NOT BE USED WITHOUT WRITTEN PERMISSION											
DIMENSION UNITS		SCALE		CURRENT REV DESC: UPDATE PK SPEC				molex			
mm		NTS									
GENERAL TOLERANCES (UNLESS SPECIFIED)				EC NO: 625604				IMPEL 3 PAIR BACKPLANE UNGUIDED ASSEMBLY SALES DRAWING			
ANGULAR TOL \pm 0.5°				DRWN: HLG0H 2019/04/08							
4 PLACES \pm				CHK'D: HLG0H 2019/10/18							
3 PLACES \pm				APPR: DWLEE01 2019/10/24				PRODUCT CUSTOMER DRAWING			
2 PLACES \pm 0.13				INITIAL REVISION:				DOCUMENT NUMBER			
1 PLACE \pm 0.25				DRWN: JLAURX 2011/12/16				SD-171335-0001			
0 PLACES \pm				APPR: JLAURX 2012/01/06				DOC TYPE DOC PART REVISION			
DRAFT WHERE APPLICABLE MUST REMAIN WITHIN DIMENSIONS				THIRD ANGLE PROJECTION		DRAWING		SERIES		MATERIAL NUMBER	
						C-SIZE		171335		SEE TABLE	
								CUSTOMER		SHEET NUMBER	
								GENERAL MARKET		4 OF 6	

DOCUMENT STATUS	P1	RELEASE DATE	2019/10/24 10:09:08
-----------------	----	--------------	---------------------

MATERIAL NUMBER	NUMBER OF COLUMNS	NUMBER OF DIFF PAIR	DIM "A"	DIM "B"	DIM "C"	DIM "P"	PTH ϕ
171335-1834	8	24	17.20	13.30	1.10	4.90	0.46±0.05
171335-1835	8	24	17.20	13.30	1.10	5.50	0.46±0.05
171335-1837	8	24	17.20	13.30	1.20	4.90	0.36±0.05
171335-1838	8	24	17.20	13.30	1.20	5.50	0.36±0.05

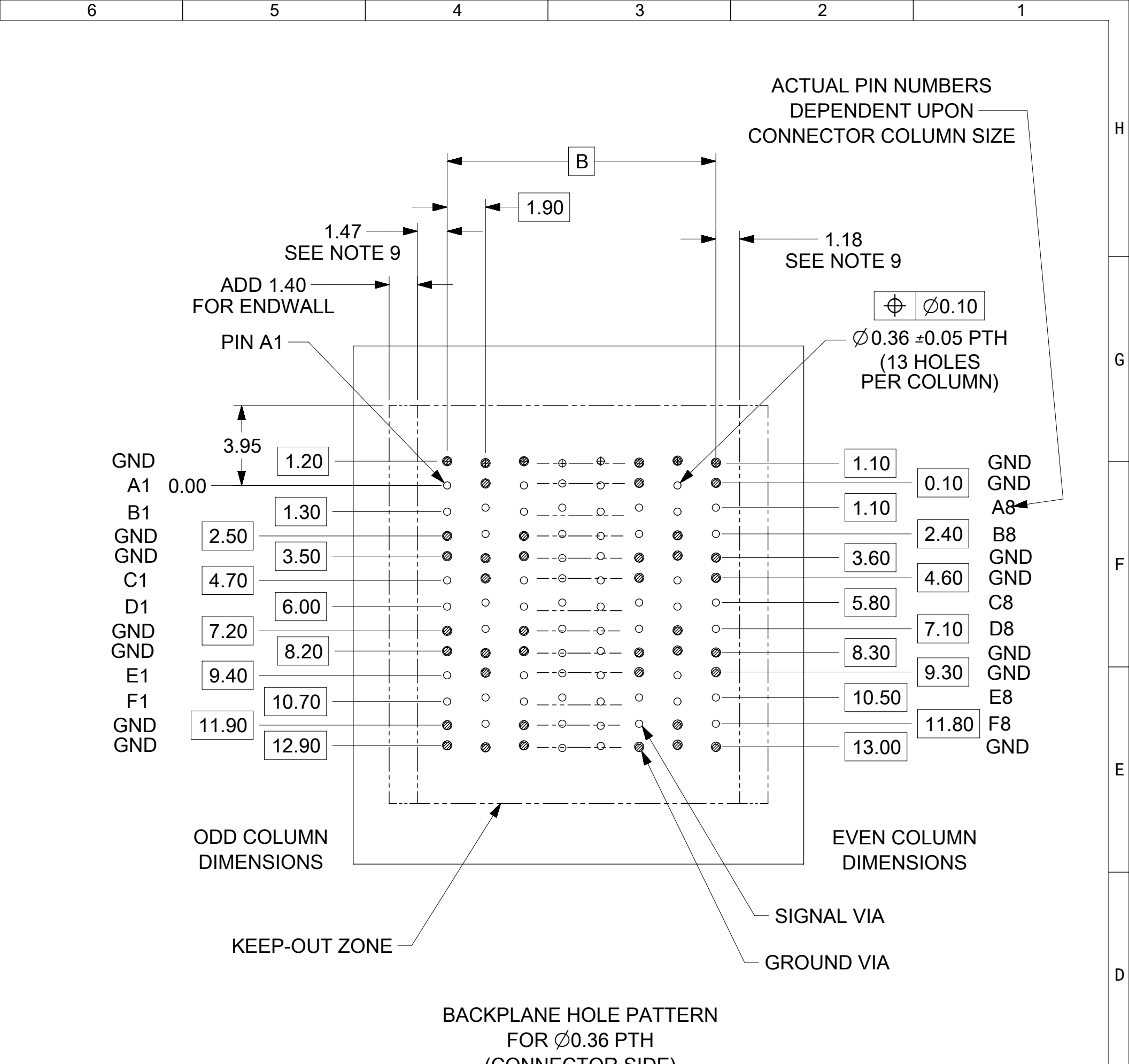
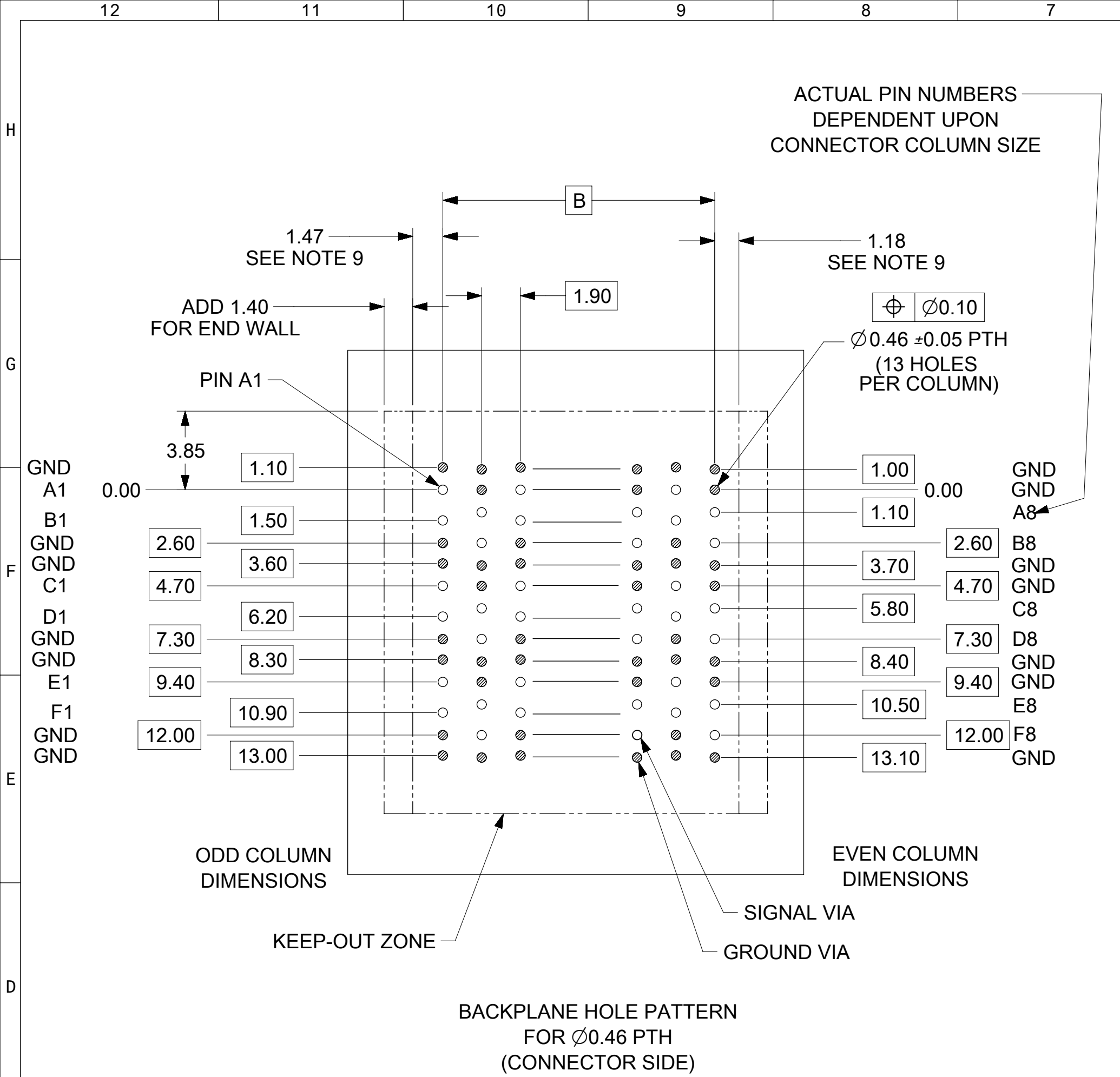


RIGHT END
WALL OPTION

THIS DRAWING CONTAINS INFORMATION THAT IS PROPRIETARY TO MOLEX ELECTRONIC TECHNOLOGIES, LLC AND SHOULD NOT BE USED WITHOUT WRITTEN PERMISSION

DIMENSION UNITS		SCALE		CURRENT REV DESC: UPDATE PK SPEC				molex				
mm		NTS										
GENERAL TOLERANCES (UNLESS SPECIFIED)				EC NO: 625604				IMPEL 3 PAIR BACKPLANE UNGUIDED ASSEMBLY SALES DRAWING				
ANGULAR TOL \pm 0.5°				DRWN: HLG0H 2019/04/08								
4 PLACES \pm				CHK'D: HLG0H 2019/10/18				PRODUCT CUSTOMER DRAWING				
3 PLACES \pm				APPR: DWLEE01 2019/10/24								
2 PLACES \pm 0.13				INITIAL REVISION:				DOCUMENT NUMBER SD-171335-0001				
1 PLACE \pm 0.25				DRWN: JLAURX 2011/12/16								
0 PLACES \pm				APPR: JLAURX 2012/01/06				DOC TYPE PSD		DOC PART 001		REVISION B
DRAFT WHERE APPLICABLE MUST REMAIN WITHIN DIMENSIONS		THIRD ANGLE PROJECTION		DRAWING C-SIZE		SERIES 171335		MATERIAL NUMBER SEE TABLE		CUSTOMER GENERAL MARKET		SHEET NUMBER 5 OF 6

DOCUMENT STATUS	P1	RELEASE DATE	2019/10/24	10:09:08
-----------------	----	--------------	------------	----------



THIS DRAWING CONTAINS INFORMATION THAT IS PROPRIETARY TO MOLEX ELECTRONIC TECHNOLOGIES, LLC AND SHOULD NOT BE USED WITHOUT WRITTEN PERMISSION																					
DIMENSION UNITS		SCALE		CURRENT REV DESC: UPDATE PK SPEC																	
mm		NTS		<p style="text-align: center;">IMPEL 3 PAIR BACKPLANE UNGUIDED ASSEMBLY SALES DRAWING</p> <p style="text-align: center;">PRODUCT CUSTOMER DRAWING</p> <table border="1" style="width: 100%; border-collapse: collapse;"> <tr> <td colspan="3">DOCUMENT NUMBER</td> <td>DOC TYPE</td> <td>DOC PART</td> <td>REVISION</td> </tr> <tr> <td colspan="3" style="text-align: center; font-size: 1.2em;">SD-171335-0001</td> <td style="text-align: center;">PSD</td> <td style="text-align: center;">001</td> <td style="text-align: center; font-size: 1.2em;">B</td> </tr> </table>						DOCUMENT NUMBER			DOC TYPE	DOC PART	REVISION	SD-171335-0001			PSD	001	B
DOCUMENT NUMBER			DOC TYPE							DOC PART	REVISION										
SD-171335-0001			PSD							001	B										
GENERAL TOLERANCES (UNLESS SPECIFIED)		EC NO: 625604																			
ANGULAR TOL ± 0.5°		DRWN: HLG0H 2019/04/08																			
4 PLACES ±		CHK'D: HLG0H 2019/10/18																			
3 PLACES ±		APPR: DWLEE01 2019/10/24																			
2 PLACES ± 0.13		INITIAL REVISION:																			
1 PLACE ± 0.25		DRWN: JLAURX 2011/12/16																			
0 PLACES ±		APPR: JLAURX 2012/01/06																			
DRAFT WHERE APPLICABLE MUST REMAIN WITHIN DIMENSIONS		THIRD ANGLE PROJECTION		DRAWING		SERIES		MATERIAL NUMBER													
				C-SIZE		171335		SEE TABLE													
DOCUMENT STATUS		P1		RELEASE DATE		2019/10/24 10:09:08		CUSTOMER													
								GENERAL MARKET													
								SHEET NUMBER													
								6 OF 6													