

S53 SERIES MATRIX

S 5 3 2 X X X X X X X X X

SERIES
S53- INTERNAL
THREAD
FORM A

POLES
2- 2 POLE

THREAD
09- PG9
11- PG11
M6-M6x1.5

MATERIAL AND
HOUSING COLOR:
G - PA6 Grey
N - Black Black
T- Transparent
W- Black
UL94- V0

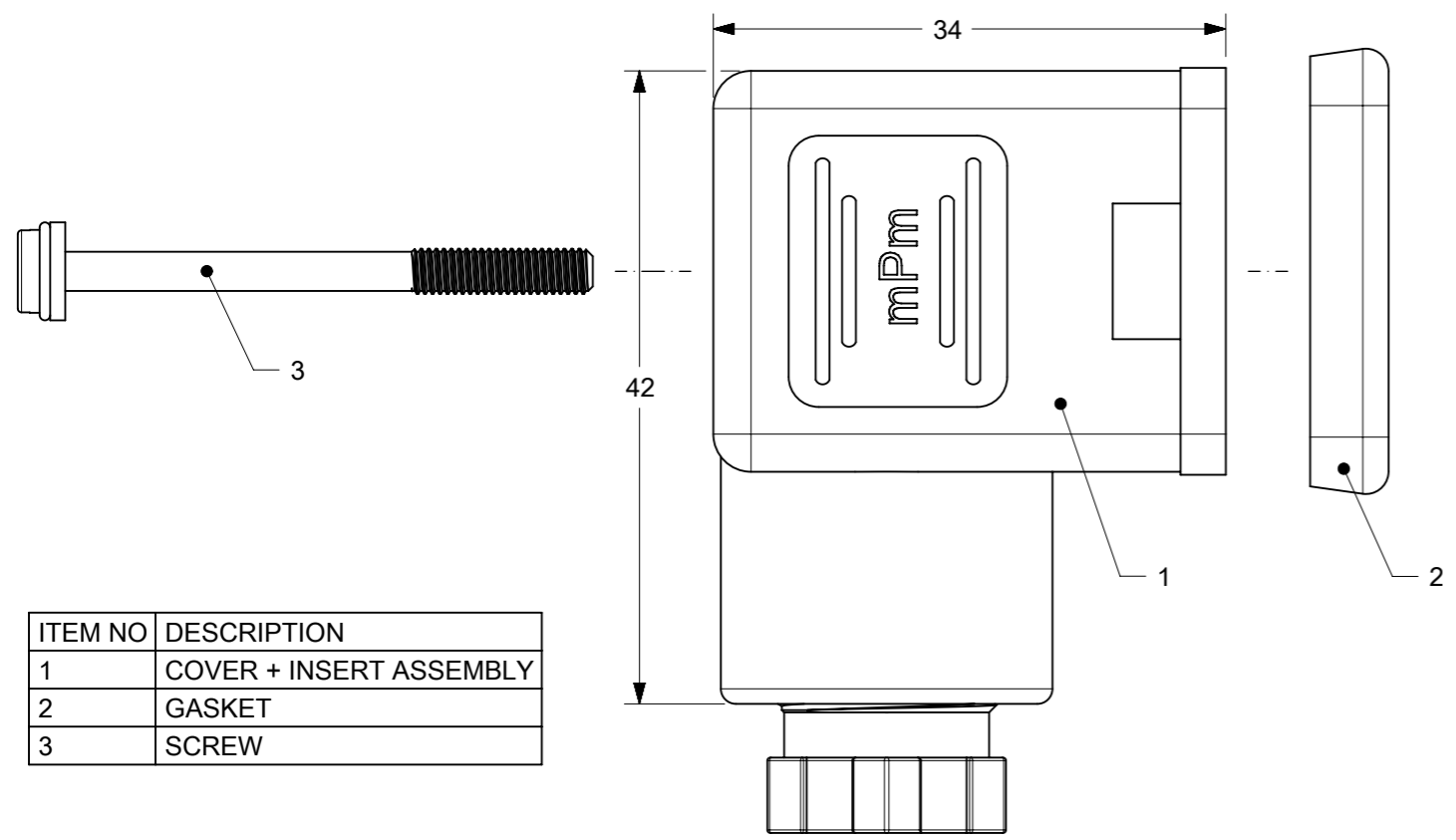
CIRCUIT
SEE DETAILS
IN CATALOGUE

VOLTAGE
SEE DETAILS
IN CATALOGUE

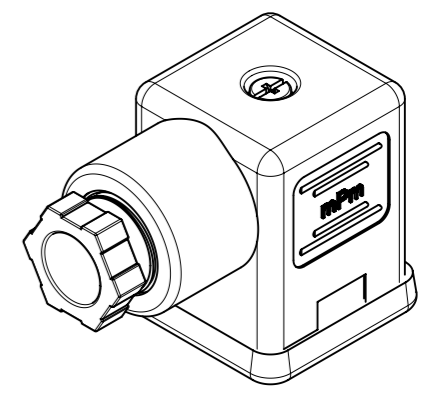
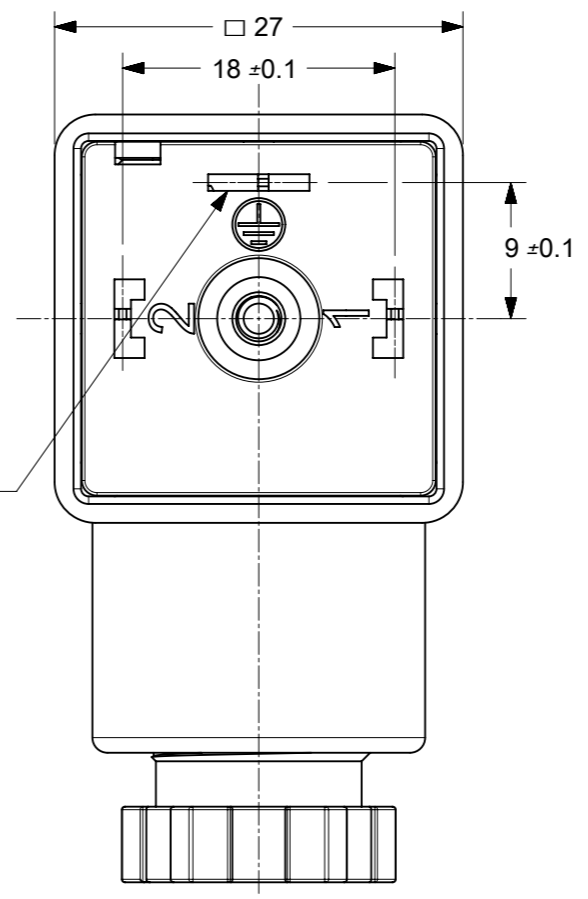
SCREW AND GASKET
1- NBR PROFILE GASKET & SCREW
2- NBR FLAT GASKET & SCREW
T- NBR PROFILE GASKET & IP67 SCREW

NON STANDARD COMPONETS
AF- WITH CENTRE SCREW MOUNTED
14- SINGLE BAGGED
SA- UL LISTED
AN-CIRCUIT R0 WITH 3 DIODES x
ELECTRIX (1002-97)

SEE TABLE 1 FOR GASKET AND SCREW TYPES



ITEM NO	DESCRIPTION
1	COVER + INSERT ASSEMBLY
2	GASKET
3	SCREW



SCALE 1:1

TABLE 1

PROFILED GASKET	FLAT GASKET	SCREW M3x36
		SCREW M3x36 + WASHER

TECHNICAL SPECIFICATION:
 OPERATING CURRENT: 16A
 CONTACT RESISTANCE: <15 mOhms MAX.
 OPERATING TEMPERATURE:
 NBR GASKET: -40° TO +90°C
 SILICONE GASKET: -40° TO 125°C


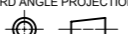
THIS DRAWING CONTAINS INFORMATION THAT IS PROPRIETARY TO MOLEX ELECTRONIC TECHNOLOGIES, LLC AND SHOULD NOT BE USED WITHOUT WRITTEN PERMISSION		CURRENT REV DESC: OBSOLETE PART NO.		molex	
DIMENSION UNITS	SCALE	EC NO: 632260			
mm	2:1	DRWN: RPRABHUM 2020/02/03		CONNECTOR 532 PG09 BLACK H12	
GENERAL TOLERANCES (UNLESS SPECIFIED)		CHK'D: GGA 2020/02/28		PRODUCT CUSTOMER DRAWING	
ANGULAR TOL	± 1.0°	APPR: GGA 2020/02/28		DOCUMENT NUMBER	
4 PLACES	±	INITIAL REVISION:		1210640896	
3 PLACES	±	DRWN: MDHARMANTI 2018/11/23		DOC TYPE	
2 PLACES	± 0.05	APPR: RSILLER 2019/02/01		PSD	
1 PLACE	± 0.3	MATERIAL NUMBER		000	
0 PLACES	± 0.5	CUSTOMER		A2	
DRAFT WHERE APPLICABLE MUST REMAIN WITHIN DIMENSIONS		THIRD ANGLE PROJECTION	DRAWING	SERIES	SHEET NUMBER
			A3-SIZE	121064	1 OF 2

PART LIST

ENGINEERING NO.	MOLEX PN	EARTH
S53209NR021	1210640896	H12
S53209GR051	1210640891	H12
S53209NE151	1210640894	H12
S53209NR031	1210640898	H12
S53209NR041	1210640899	H12
S53209NR051	1210640900	H12
S53209NR051AF	1210650593	H12
S53209NR052	1210640901	H12
S53209TC321	1210640918	H12
S53209TC411	1210640923	H12
S53209TC421	1210640924	H12
S53209TC441	1210640926	H12
S53209TC451	1210640927	H12
S53209TC4B1	1210640928	H12
S53209TC4D1	1210640930	H12
S53209TC4E1	1210640932	H12
S53209TC4H1	1210640934	H12
S53209TC4L1	1210640936	H12
S53209TC4M1	1210640937	H12
S53209TG221	1210640939	H12
S53209TR211	1210640944	H12
S53209TR221	1210640945	H12
S53209TR241	1210640948	H12
S53209TR251	1210640949	H12
S53209TR252	1210640950	H12
S53209TR2H1	1210640953	H12
S53209TR2L1	1210640954	H12
S53209TR2M1	1210640955	H12
S53209TU021	1210640964	H12
S53211GR041	1210640972	H12
S53211GR051	1210640973	H12
S53211NR021	1210640975	H12
S53211NR031	1210640977	H12
S53211NR041	1210640978	H12
S53211NR051	1210640979	H12
S53211NR052	1210640980	H12
S53211TC321	1210640996	H12
S53211TC421	1210641001	H12
S53211TC421AF	1210641705	H12

ENGINEERING NO.	MOLEX P/N	EARTH
S53211TC441	1210641003	H12
S53211TC451	1210641004	H12
S53211TC4B1	1210641005	H12
S53211TC4H1	1210641007	H12
S53211TR221	1210641014	H12
S53211TR241	1210641016	H12
S53211TR251	1210641017	H12
S532M6NR021	1210641698	H12
S532M6NR051	1210641542	H12
S532M6TC421	1210641422	H12
S532M6TS021	1210641452	H12
S53209NE051	1210640893	H12
S53209NR0612110*	1210650520*	H12
S53209NR061	1210641425	H12
S53209NR061AN	1210650521	H12
S53209TR221AF	1210641734	H12
S532M6TC321	1210641788	H12
S53211WE151SA	1210641813	H12
S53211TA1L10458*	1210641681*	H12
S53209NR05T14	1210641798	H12
S53209NR02T14	1210641816	H12
A1 S53209WR041SA	1210641589	H12

NOTE:
* P/N 1210650521 & 1210641681 are special customer P/N's.

THIS DRAWING CONTAINS INFORMATION THAT IS PROPRIETARY TO MOLEX ELECTRONIC TECHNOLOGIES, LLC AND SHOULD NOT BE USED WITHOUT WRITTEN PERMISSION									
DIMENSION UNITS		SCALE		CURRENT REV DESC: OBSOLETE PART NO.					
mm		2:1							
GENERAL TOLERANCES (UNLESS SPECIFIED)				EC NO: 632260				CONNECTOR 532 PG09 BLACK H12	
ANGULAR TOL ± 1.0°				DRWN: RPRABHUM 2020/02/03					
4 PLACES ±				CHK'D: GGA 2020/02/28					
3 PLACES ±				APPR: GGA 2020/02/28					
2 PLACES ± 0.05				INITIAL REVISION:				PRODUCT CUSTOMER DRAWING	
1 PLACE ± 0.3				DRWN: MDHARMANTI 2018/11/23				DOCUMENT NUMBER	
0 PLACES ± 0.5				APPR: RSILLER 2019/02/01				1210640896	
DRAFT WHERE APPLICABLE MUST REMAIN WITHIN DIMENSIONS		THIRD ANGLE PROJECTION		DRAWING		SERIES		MATERIAL NUMBER	
				A3-SIZE		121064		PART LIST	
						CUSTOMER		SHEET NUMBER	
						GENERAL MARKET		2 OF 2	

DOCUMENT STATUS	P1	RELEASE DATE	2020/02/28	02:41:00
-----------------	----	--------------	------------	----------