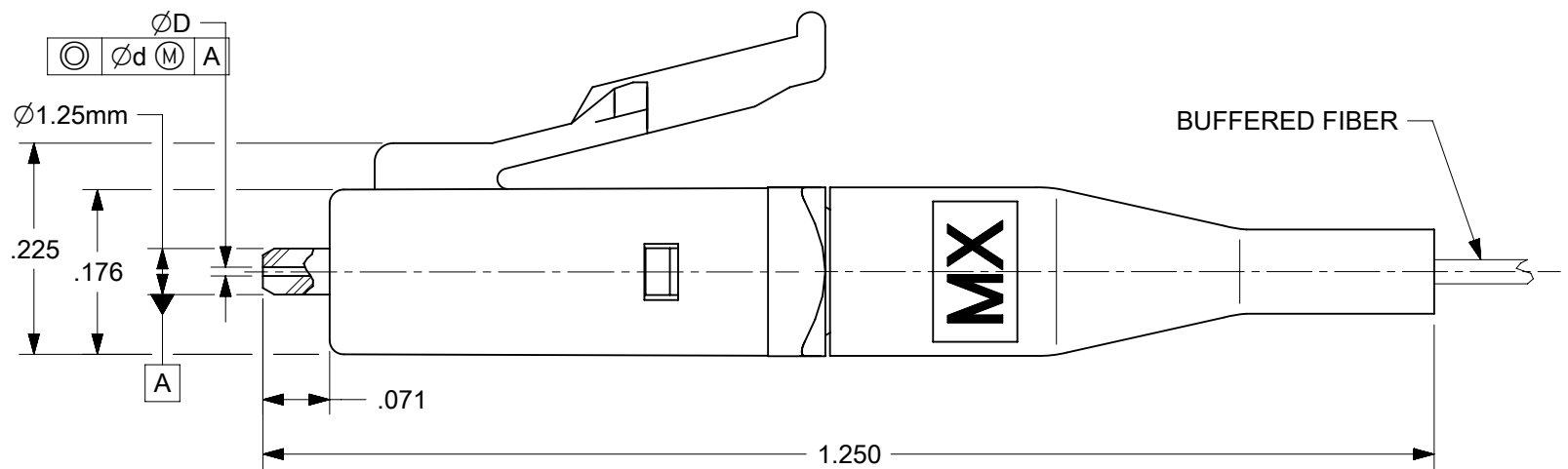
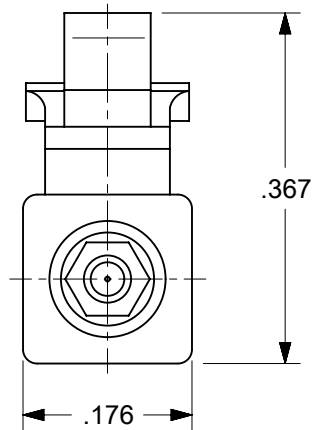


CONNECTOR P/N	øD (µm)	ød (µm)	HOUSING COLOR	BOOT COLOR	CABLE TYPE
106024-2500	125.50 ^{+1.0} ₀	1.0	BLUE	WHITE	SINGLE MODE
106024-3550*	127.00 ^{+3.00} ₀	3.0	BEIGE		MULTIMODE
106024-3500					
106024-4500	125.00 ^{+0.50} ₀	1.0	BLUE	WHITE	SINGLE MODE
106024-5500	126.00 ^{+1.00} ₀				
106024-5540*					
106024-6500	125.25 ^{+0.50} ₀	0.5	BLUE	WHITE	SINGLE MODE
106090-2700	125.50 ^{+0.50} ₀				
106090-4500	125.00 ^{+0.50} ₀				
106090-6500	125.25 ^{+0.50} ₀				
106090-4510	125.2-125.5				
106090-4520	125.51-125.9				
106099-0500	81.0±0.5	1.4			
106024-5530	126.00 ^{+1.00} ₀	1.0	BEIGE	WHITE	

(DUST CAP NOT SHOWN)



NOTE:

1. ALL DIMENSIONS ARE GIVEN IN INCHES/MM, EXCEPT OTHERWISE SPECIFIED.

*2. P/N 106024-3310 AND 106024-5540 ARE BULK PACKED.

3. TUBING MUST BE SHORTENED AFTER FILLING THE EPOXY ACCORDING TO THE TERMINATION PROCEDURE P/N PS-86028-2000

THIS DRAWING CONTAINS INFORMATION THAT IS PROPRIETARY TO MOLEX ELECTRONIC TECHNOLOGIES, LLC AND SHOULD NOT BE USED WITHOUT WRITTEN PERMISSION												
DIMENSION UNITS		SCALE		CURRENT REV DESC:				molex				
INCH		5:1										
GENERAL TOLERANCES (UNLESS SPECIFIED)				EC NO: 695254 DRWN: JHUANG18 2022/01/20 CHK'D: IGUMIN 2022/04/29 APPR: IGUMIN 2022/04/29 INITIAL REVISION: DRWN: PGIBLIN 2005/09/02 APPR: IGUMIN 2005/10/24				LC CONNECTOR (BARE FIBER)				
4 PLACES ±		±						PRODUCT CUSTOMER DRAWING				
3 PLACES ±		0.38 ± 0.005						DOCUMENT NUMBER		DOC TYPE	DOC PART	REVISION
2 PLACES ±		±						SD-1060KK-KKK0		PSD	001	D
1 PLACE ±		±						MATERIAL NUMBER		CUSTOMER		SHEET NUMBER
0 PLACES ±		±		SEE TABLE		GENERAL MARKET		1 OF 1				
ANGULAR TOL ± 1.0 °				THIRD ANGLE PROJECTION		DRAWING	SERIES					
DRAFT WHERE APPLICABLE MUST REMAIN WITHIN DIMENSIONS						B-SIZE	106024					

DOCUMENT STATUS	P1	RELEASE DATE	2022/04/29	14:51:29
-----------------	----	--------------	------------	----------