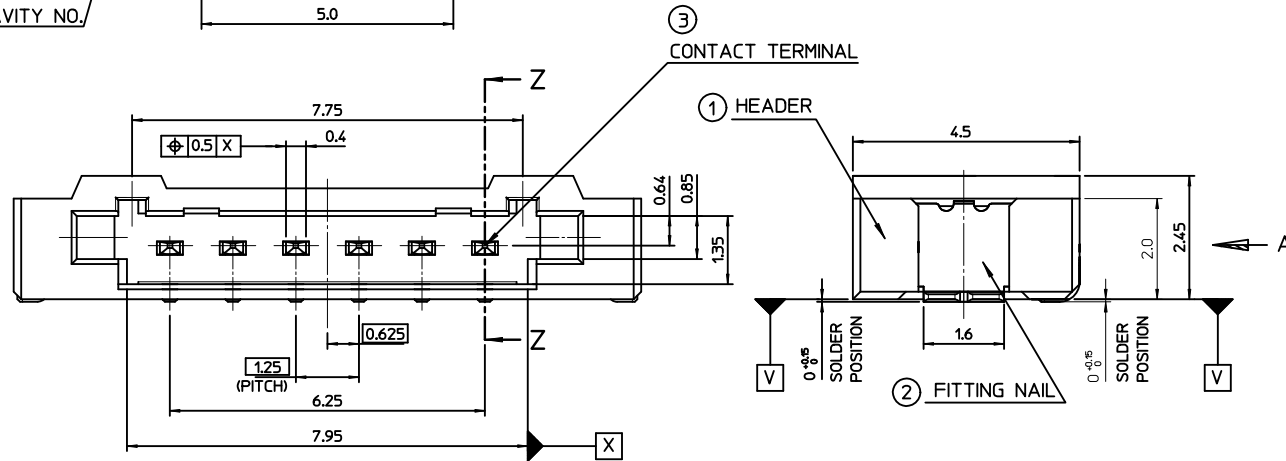
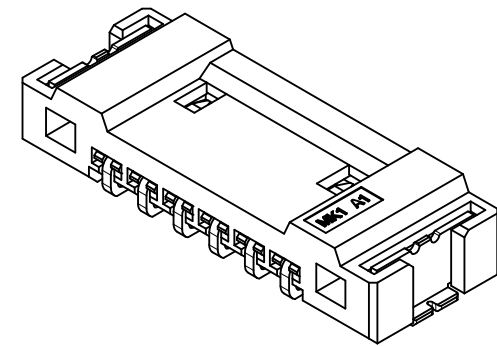
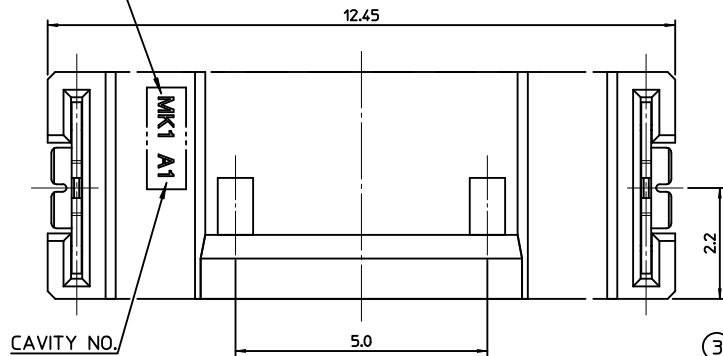
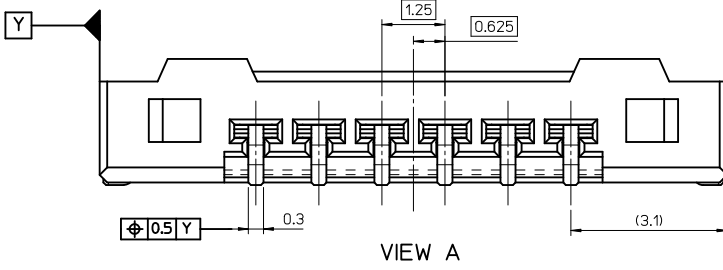


TRADE MARK



NOTE

1. MATED WITH : 104077-0600, 104077-0610
2. MATERIALS
  - ① - HEADER : LCP(E130I), GLASS FILLED, UL94V-0, HALOGEN FREE, COLOR OF NATURAL
  - ② - FITTING NAIL : PHOSPHOR BRONZE, 0.20mm THICKNESS
  - ③ - CONTACT TERMINAL : POSPHOR BRONZ,0.25mm THICKNESS
3. FINISHES
  - ② - FITTING NAIL : PURE-TIN PLATING ON OVERALL. THICKNESS 3.0μm~5.0μm UNDER PLATING Ni OVERALL. THICKNESS 1.25μm~3.75μm
  - ③ - CONTACT TERMINAL : PURE-TIN PLATING ON OVERALL. THICKNESS 3.0μm~5.0μm UNDER PLATING Ni OVERALL. THICKNESS 1.25μm~3.75μm
4. COPLANALITY OF SOLDER TAILS (PEAK TEMP. : 260°C), BEFORE & AFTER REFLOW : 0.08MAX



NEW RELEASED  
 EC NO: KOR2011-0057  
 DRWN:CBCHIN 2010/12/02  
 CHKD:SH-CHU 2010/12/02  
 APPR:YUNSIKKIM 2010/12/02

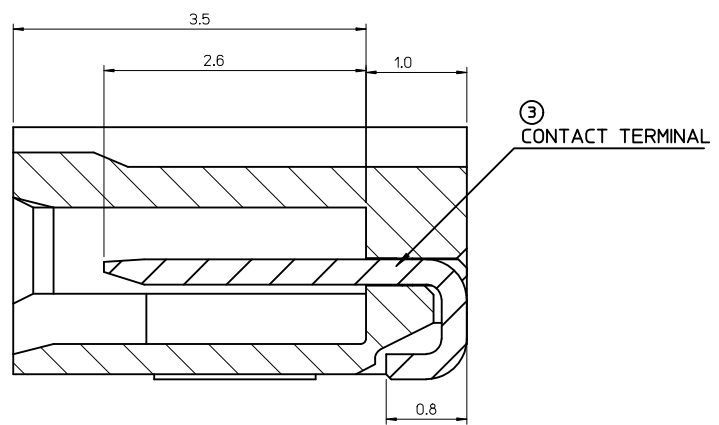
REV	DESCRIPTION
A	

QUALITY SYMBOLS	GENERAL TOLERANCES (UNLESS SPECIFIED)	
	mm	INCH
▽=0	4 PLACES ± ---	± ---
∇=0	3 PLACES ± ---	± ---
	2 PLACES ± 0.20	± ---
	1 PLACE ± 0.25	± ---
	ANGULAR ± 1 °	

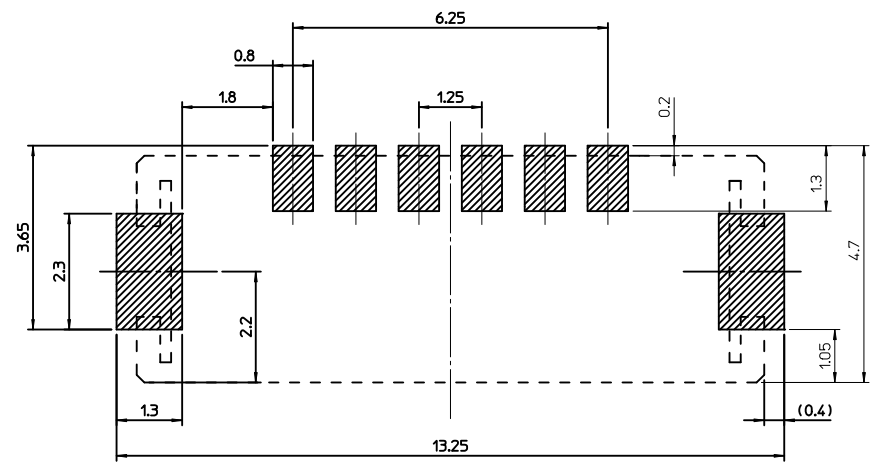
DIMENSION STYLE		SCALE
MM ONLY		10:1
DRAWN BY	DATE	TITLE
JB. JIN	2010/06/29	1.25 W-T-B CONN. HEADER ASS'Y-6P
CHECKED BY	DATE	
SH. CHU	2010/06/29	
APPROVED BY	DATE	
YS00.KIM	2010/06/29	
MATERIAL NO.	DOCUMENT NO.	
1040780610	SD-104078-001	

ORDER NUMBER	104078-0610
DESIGN UNITS	THIRD ANGLE PROJECTION
METRIC	
<b>MOLEX INCORPORATED</b>	
SIZE	SHEET NO.
A3	1 OF 02

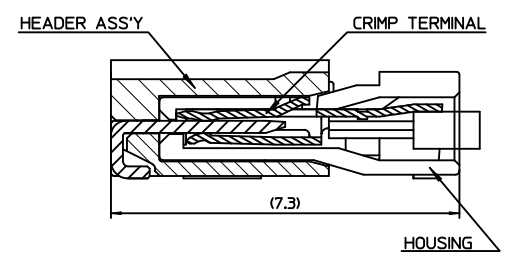
10 9 8 7 6 5 4 3 2 1



SECTION Z-Z (SCALE 20:1)



RECOMMEND PATTERN (REF.)  
(GENERAL TOLERANCE ±0.05)



MATED CONDITION (REF.)

<b>NEW RELEASED</b> EC NO: KOR2011-0057 DRWN: CBCHIN 2010/12/02 CHKD: SH. CHU 2010/12/02 APPR: YUNSIKKIM 2010/12/02	QUALITY SYMBOLS ▽=0 ◻=0	GENERAL TOLERANCES (UNLESS SPECIFIED)		DIMENSION STYLE <b>MM ONLY</b>		SCALE <b>10:1</b>	DESIGN UNITS METRIC	THIRD ANGLE PROJECTION		
			mm	INCH	DRAWN BY	DATE	TITLE <b>1.25 W-T-B CONN. HEADER ASS'Y-6P</b>			
		4 PLACES	± ---	± ---	JB. JIN	2010/06/29				
		3 PLACES	± ---	± ---	CHECKED BY	DATE	MOLEX INCORPORATED			
2 PLACES	± 0.20	± ---	SH. CHU	2010/06/29						
1 PLACE	± 0.25	± ---	APPROVED BY	DATE	MATERIAL NO. <b>1040780610</b>		DOCUMENT NO. <b>SD-104078-001</b>		SHEET NO. <b>2 OF 02</b>	
DRAFT WHERE APPLICABLE MUST REMAIN WITHIN DIMENSIONS		ANGULAR ± 1 °		THIS DRAWING CONTAINS INFORMATION THAT IS PROPRIETARY TO MOLEX INCORPORATED AND SHOULD NOT BE USED WITHOUT WRITTEN PERMISSION						

9 8 7 6 5 4 3 2 1

