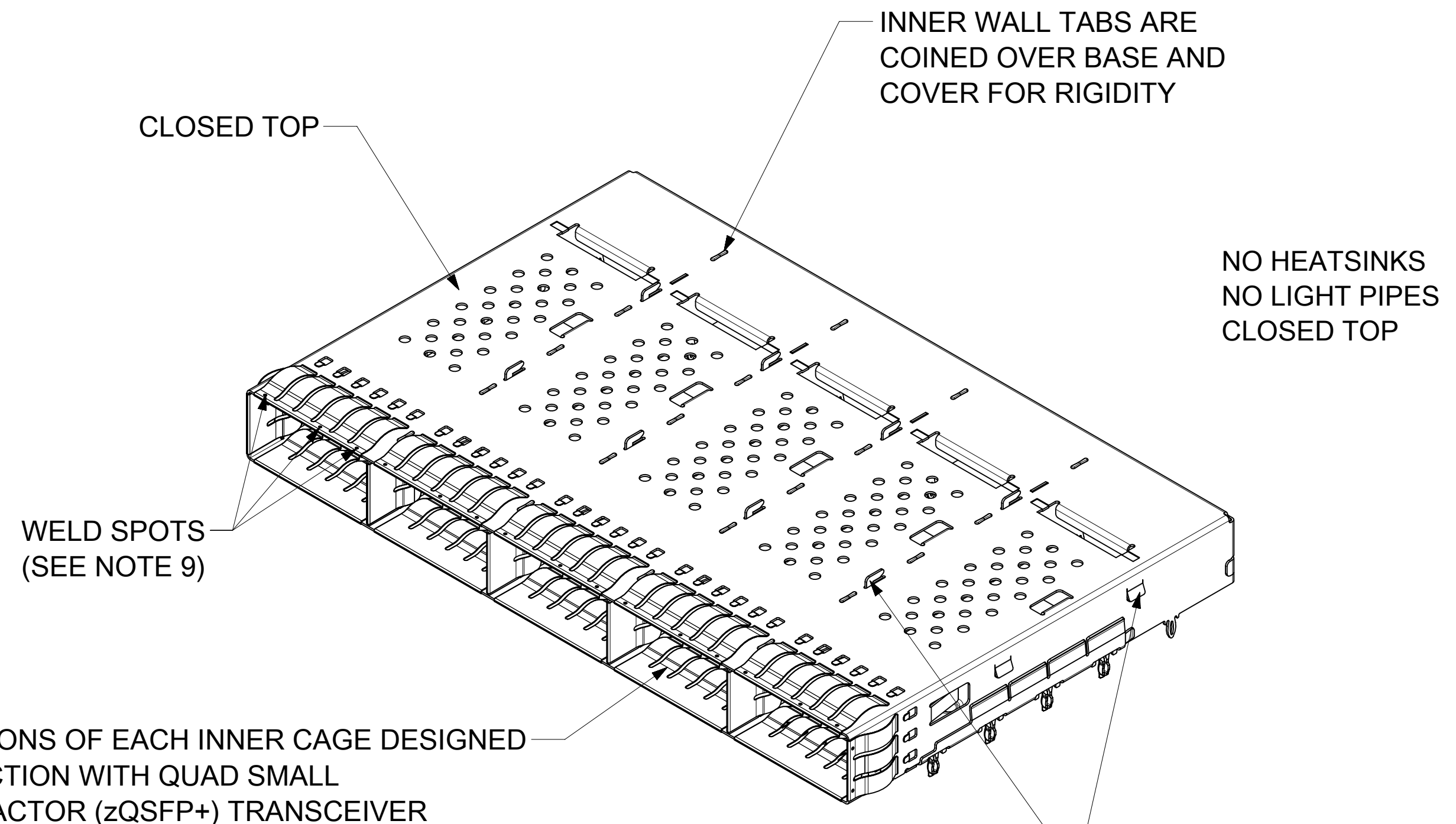
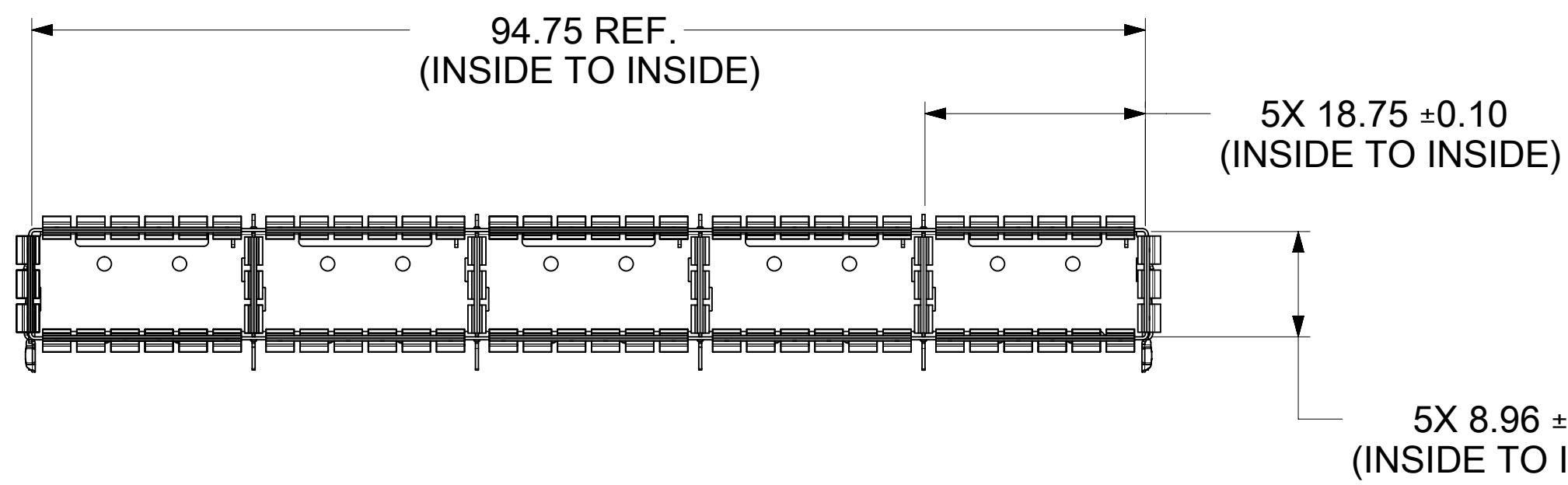
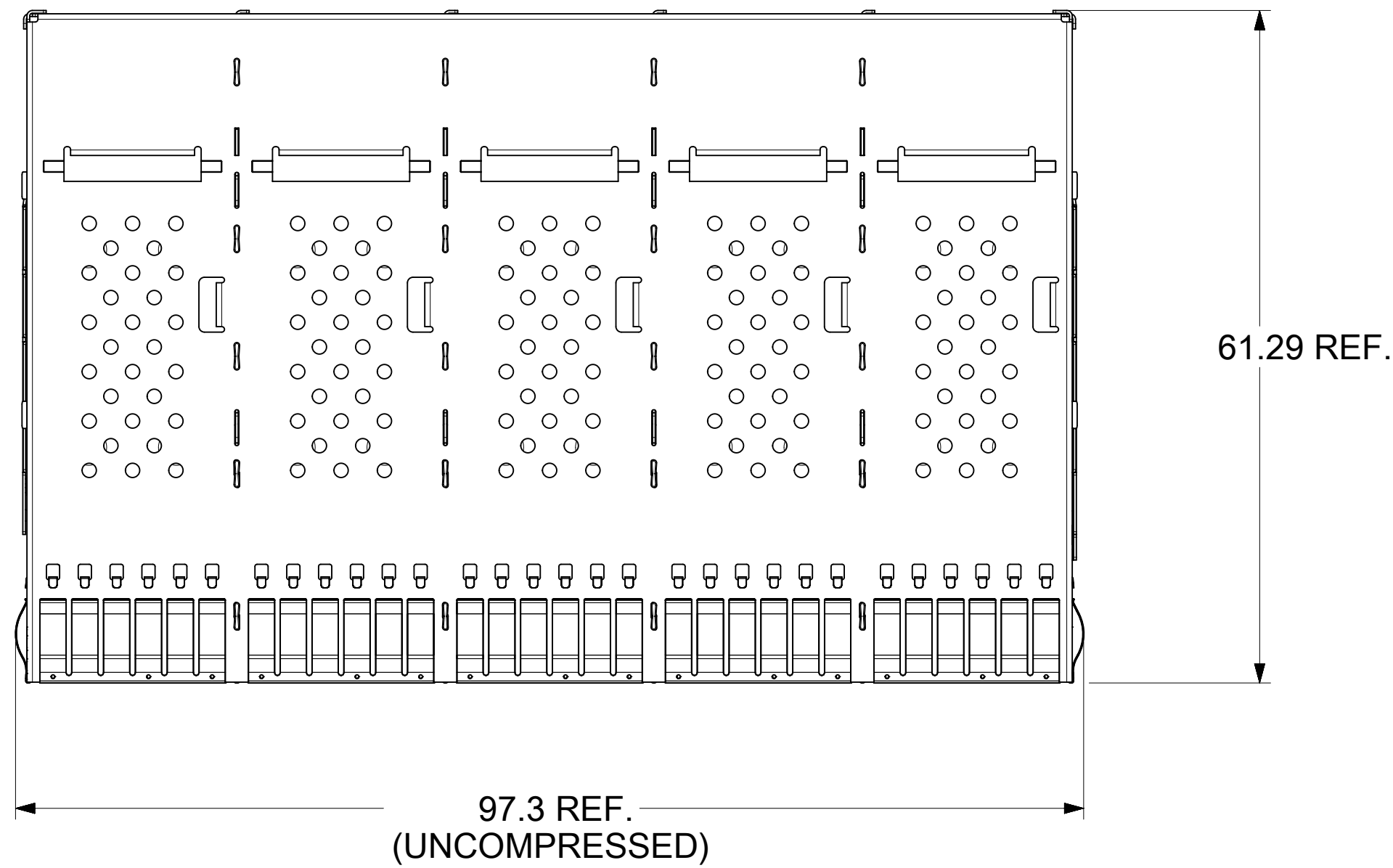


BASIC CAGE DETAILS

1000193240

SHOWN



MOLEX P/N W/ SPRING FINGERS	#OF REAR LEGS PER PORT
1000193240	0

P/N AND WEEK/YEAR DATE CODE TO BE PRINTED ON BACK OF COMPLETED CAGE ASSEMBLY APPROXIMATELY AS SHOWN.
NOTES:
SEE TABLE BELOW FOR DATE CODE INFORMATION

- NOTES:
- MATERIAL: CAGE: STAINLESS STEEL
CENTER WALLS: STAINLESS STEEL
SPRING FINGERS: STAINLESS STEEL
HEAT SINKS: NICKEL PLATED ALUMINUM
HEAT SINK CLIP: STAINLESS STEEL
LIGHT PIPES: POLYCARBONATE (UL 94-V-0)
 - DIMENSIONS MARKED ∇ ARE CRITICAL TO FUNCTION OF THE PART AND MUST BE INSPECTED
 - DRAWING APPLIES TO ALL P/N'S SHOWN ON PAGE 3
 - DURING INCOMING INSPECTION, CAGE LEG LOCATIONS AND STRAIGHTNESS MUST BE CHECKED USING APPROPRIATE GO - NO GO GAGE
 - DURING INCOMING INSPECTION, CAGE MUST BE INSPECTED TO MAKE SURE LEG CONFIGURATIONS AND PART NUMBERS ARE CORRECT, USE SHEETS 3, 4 AND 5
 - PARTS TO BE INSPECTED PER MOLEX COSMETIC SPEC WI-HP-7-2774 (CLASS B UNLESS OTHERWISE SPECIFIED)
 - PRESS-FIT LEGS 2.44 LONG -
1.57 MINIMUM PCB THICKNESS FOR SINGLE SIDED USE.
3.00 MINIMUM PCB THICKNESS FOR BELLY TO BELLY USE.
 - NO RoHS EXEMPTIONS.
 - WELD SPOTS MAY SHOW SLIGHT MATERIAL DISCOLORATION.

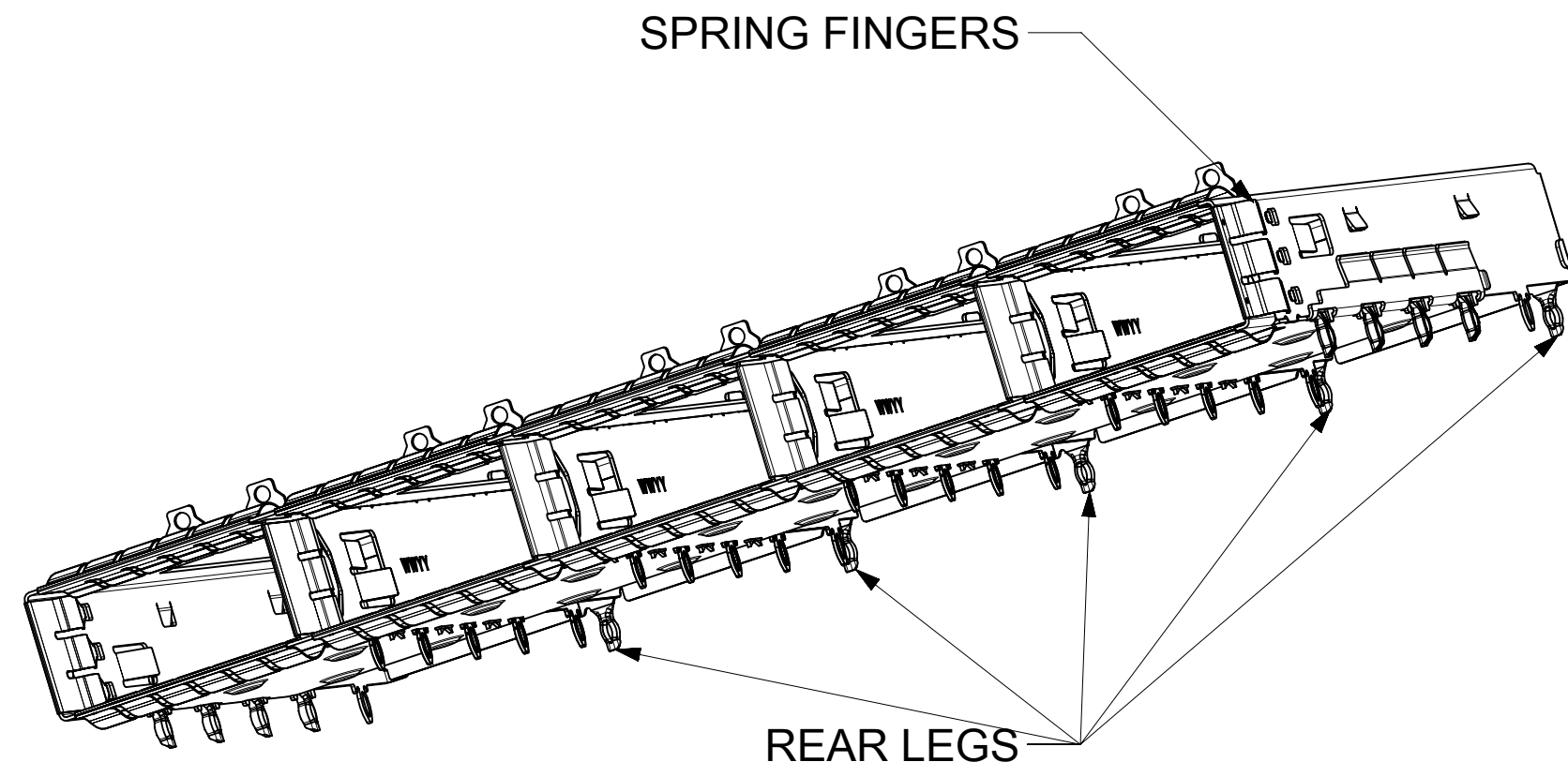
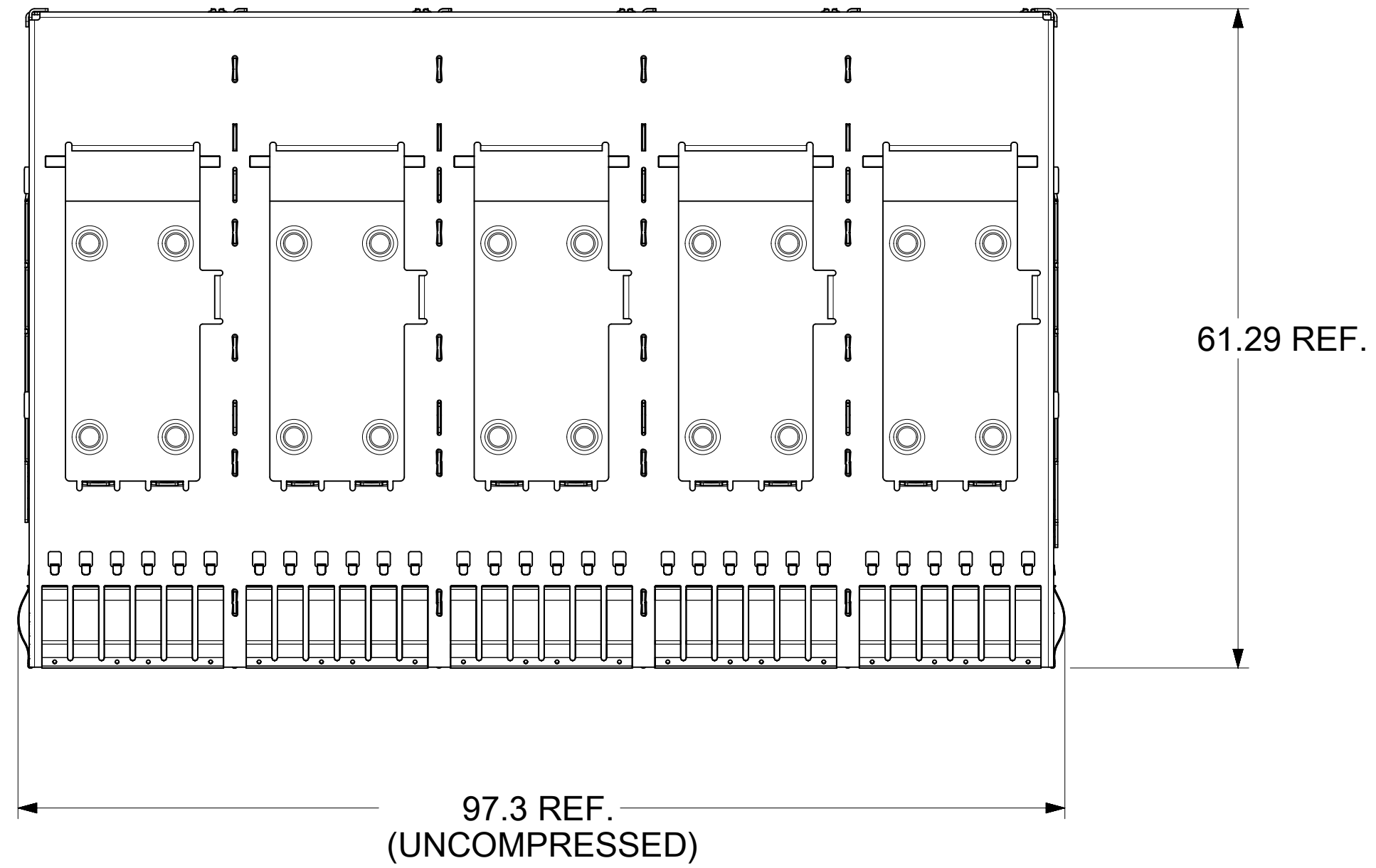
WEEK/YEAR DATE CODE TABLE	
WK	WEEK OF THE YEAR 01 THRU 52 (EXAMPLE: 01= FIRST WEEK OF YEAR 52= LAST WEEK OF YEAR)
YR	22, 23, 24 ETC.. (EXAMPLE: YEAR 2022= 22)

FUNCTIONAL SYMBOLS $\nabla_A = 0$ $\nabla_C = 0$ $\nabla_P = 0$	THIS DRAWING CONTAINS INFORMATION THAT IS PROPRIETARY TO MOLEX ELECTRONIC TECHNOLOGIES, LLC AND SHOULD NOT BE USED WITHOUT WRITTEN PERMISSION DIMENSION UNITS: mm SCALE: 2:1 CURRENT REV DESC: SEE REVISION DESCRIPTION	<p>ZQSFP+ 1X5 GANGED CAGE ASSY ASSY'S W/ SUS TAB TYPE SPRING FINGER</p> <p>PRODUCT CUSTOMER DRAWING</p>		
	GENERAL TOLERANCES (UNLESS SPECIFIED) ANGULAR TOL $\pm 2.0^\circ$			EC NO: 698878 DRWN: PRAJWG 2022/02/17 CHK'D: TKUMARKC 2022/03/10 APPR: JCHIANG 2022/03/24
	DIVISIONAL SYMBOLS 4 PLACES \pm 3 PLACES \pm 2 PLACES ± 0.13 1 PLACE ± 0.25 0 PLACES \pm			INITIAL REVISION: DRWN: PRAJWG 2022/02/17 APPR: JCHIANG 2022/03/24
	DRAFT WHERE APPLICABLE MUST REMAIN WITHIN DIMENSIONS			THIRD ANGLE PROJECTION DRAWING: D-SIZE SERIES: 100019 MATERIAL NUMBER: SEE P/N TABLE CUSTOMER: GENERAL MARKET SHEET NUMBER: 1 OF 6

BASIC CAGE DETAILS

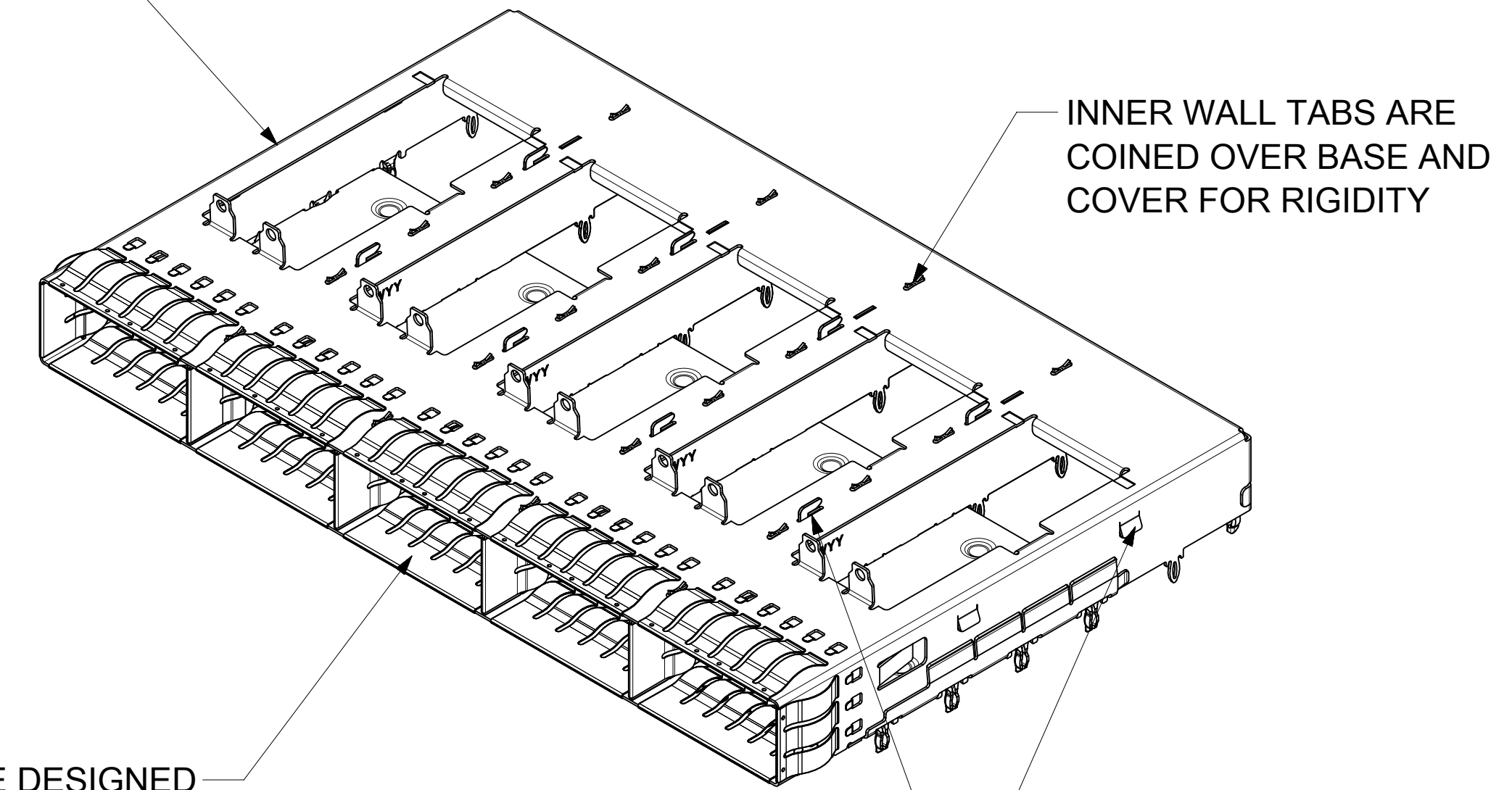
1000199252

SHOWN



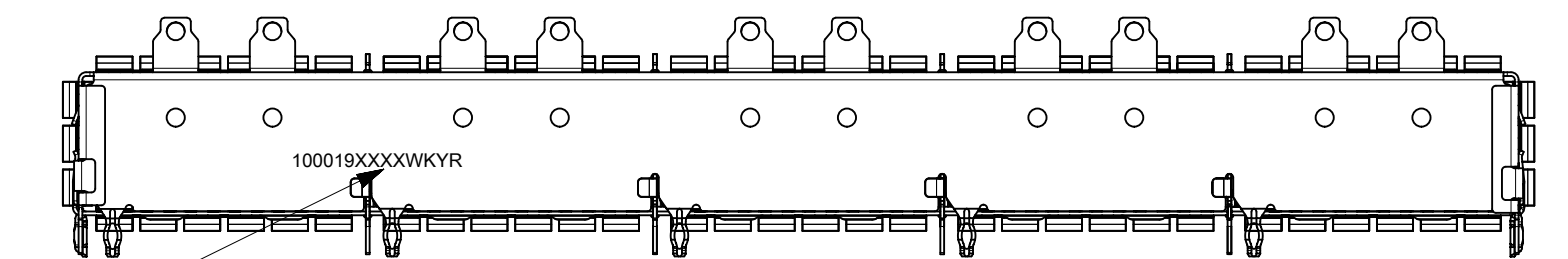
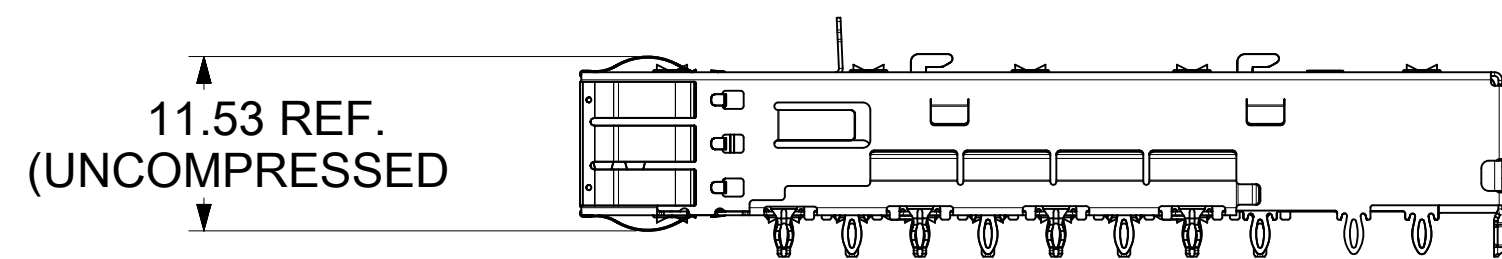
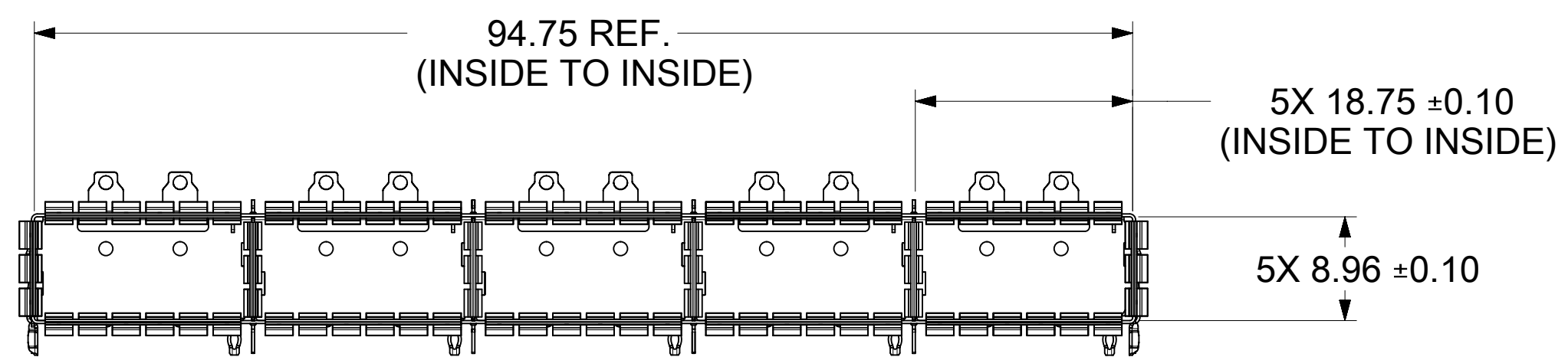
OPEN TOP

NO HEATSINKS
NO LIGHT PIPES
OPEN TOP



DIMENSIONS OF EACH INNER CAGE DESIGNED TO FUNCTION WITH QUAD SMALL FORM-FACTOR (zQSFP+) TRANSCEIVER

MOLEX P/N W/ SPRING FINGERS	#OF REAR LEGS PER PORT
1000199252	1



P/N AND WEEK/YEAR DATE CODE TO BE PRINTED ON BACK OF COMPLETED CAGE ASSEMBLY APPROXIMATELY AS SHOWN.
NOTES:
SEE TABLE BELOW FOR DATE CODE INFORMATION

FUNCTIONAL SYMBOLS $\nabla_A = 0$ $\nabla_C = 0$ $\nabla_D = 0$ DIVISIONAL SYMBOLS	THIS DRAWING CONTAINS INFORMATION THAT IS PROPRIETARY TO MOLEX ELECTRONIC TECHNOLOGIES, LLC AND SHOULD NOT BE USED WITHOUT WRITTEN PERMISSION		CURRENT REV DESC: SEE REVISION DESCRIPTION	
	DIMENSION UNITS	SCALE		
	mm	2:1		
	GENERAL TOLERANCES (UNLESS SPECIFIED)			
ANGULAR TOL ± 2.0°				
4 PLACES ±		EC NO: 698878		
3 PLACES ±		DRWN: PRAJWG 2022/02/17		
2 PLACES ± 0.13		CHK'D: TKUMARKC 2022/03/10		
1 PLACE ± 0.25		APPR: JCHIANG 2022/03/24		
0 PLACES ±		INITIAL REVISION:		
DRAFT WHERE APPLICABLE MUST REMAIN WITHIN DIMENSIONS		DRWN: PRAJWG 2022/02/17		
THIRD ANGLE PROJECTION		APPR: JCHIANG 2022/03/24		
DRAWING		SERIES		
D-SIZE		100019		
MATERIAL NUMBER		CUSTOMER		
1000193200		GENERAL MARKET		
DOC TYPE		DOC PART		
PSD		ASY		
REVISION		A		
DOCUMENT NUMBER		SHEET NUMBER		
1000193200		2 OF 6		

PCB LAYOUT FOR BELLY TO BELLY MOUNTING

NOTE:
SEE SHEET 4 FOR
HOST CONNECTOR DETAIL
AND LED LOCATION DETAILS

HATCHED AREA DENOTES
COMPONENT AND TRACE KEEP-OUT
(EXCEPT CHASSIS GROUND)

DATUM -A- IS THE TOP
SURFACE OF HOST BOARD

Ø 1.05 ± 0.05 TYP

⊕ Ø0.10 Ⓜ A K L

AREA DENOTES
COMPONENT KEEP-OUT
(TRACES ALLOWED)

HOLES FOR OPTIONAL
REAR LEGS

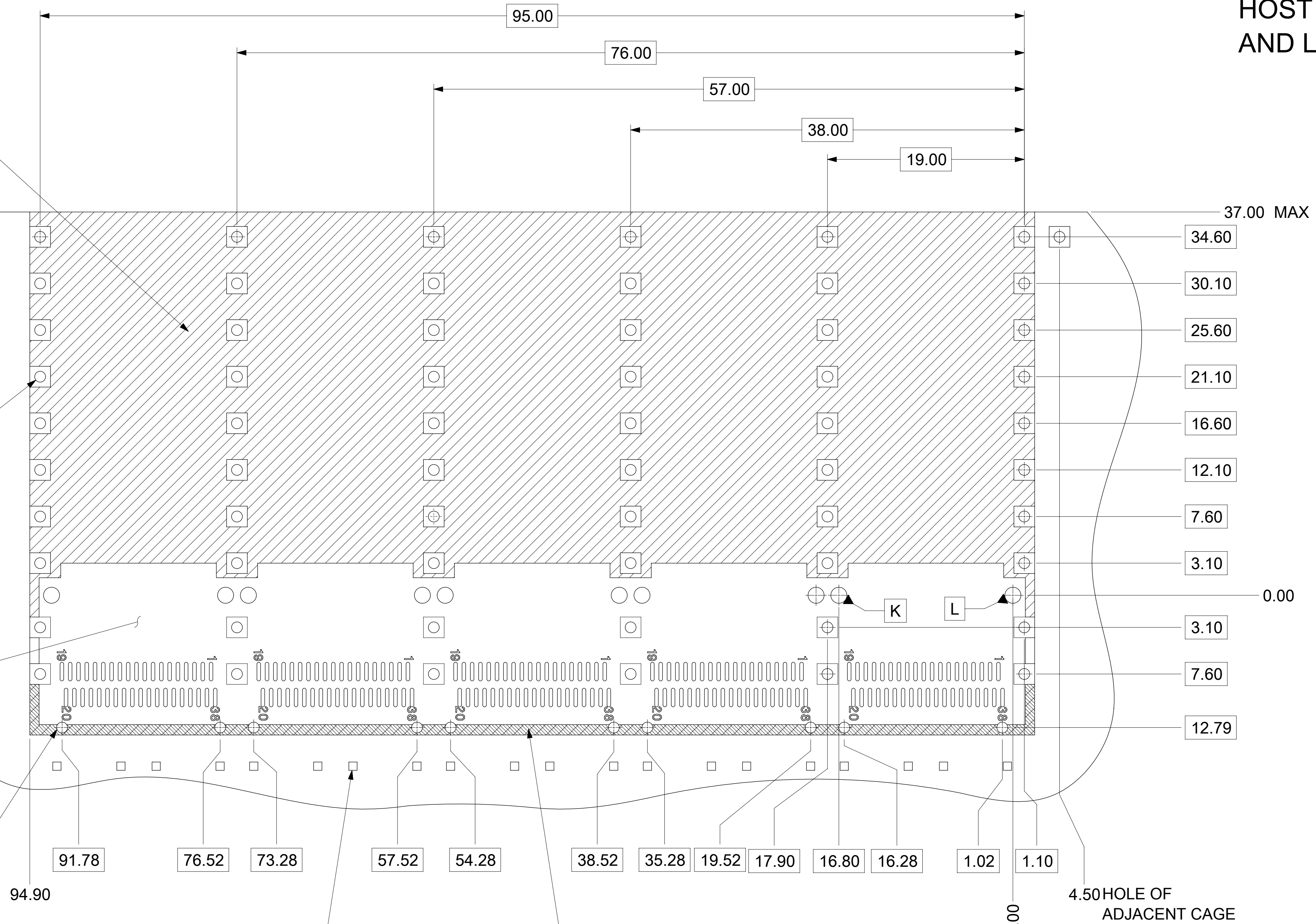
FOR CAGE ASSEMBLIES
WITH LIGHT PIPES

CROSS HATCHED AREA DENOTES
WHERE SURFACE TRACES
ARE PERMITTED. SEE NOTE 5.

4.50 HOLE OF
ADJACENT CAGE

NOTES:

1. PADS AND VIAS GO TO CHASSIS GROUND. (RECOMMENDED PADS TO BE 2.00mm SQUARE.)
2. RECOMMENDED THRU HOLE PLATING INCLUDES HASL, OSP, OR IMMERSION (GOLD, SILVER, OR TIN).
3. CONNECTOR PAD LAYOUT PER SFF-8663 WILL ACCOMODATE MOLEX CONNECTOR SERIES 170432.
4. REFERENCE WHEN REAR LEGS ARE PRESENT. IF NO REAR LEGS, VIA AREA CAN BE USED FOR SURFACE TRACES.
SEE SINGLE SIDE LAYOUT, DETAIL 2 ON SHEET 4.



FUNCTIONAL SYMBOLS	THIS DRAWING CONTAINS INFORMATION THAT IS PROPRIETARY TO MOLEX ELECTRONIC TECHNOLOGIES, LLC AND SHOULD NOT BE USED WITHOUT WRITTEN PERMISSION		CURRENT REV DESC: SEE REVISION DESCRIPTION	
	FA = 0	mm	SCALE	4:1
DIVISIONAL SYMBOLS	GENERAL TOLERANCES (UNLESS SPECIFIED)		EC NO: 698878	
	FC = 0	ANGULAR TOL ± 2.0°	DRWN: PRAJWG	2022/02/17
FUNCTIONAL SYMBOLS	FP = 0	4 PLACES ±	CHK'D: TKUMARKC	2022/03/10
	4 PLACES ±	3 PLACES ±	APPR: JCHIANG	2022/03/24
	3 PLACES ±	2 PLACES ± 0.13	INITIAL REVISION:	
	2 PLACES ± 0.25	1 PLACE ±	DRWN: PRAJWG	2022/02/17
DRAFT WHERE APPLICABLE MUST REMAIN WITHIN DIMENSIONS		THIRD ANGLE PROJECTION	DRAWING	SERIES
		⊕	D-SIZE	100019
			MATERIAL NUMBER	CUSTOMER
			SEE P/N TABLE	GENERAL MARKET
			DOCUMENT NUMBER	DOC TYPE
			1000193200	PSD
			DOC PART	REVISION
			ASY	A
			SHEET NUMBER	
			4 OF 6	

molex

ZQSFP+ 1X5 GANGED CAGE ASSY
ASSY'S W/ SUS TAB TYPE SPRING FINGER

PRODUCT CUSTOMER DRAWING

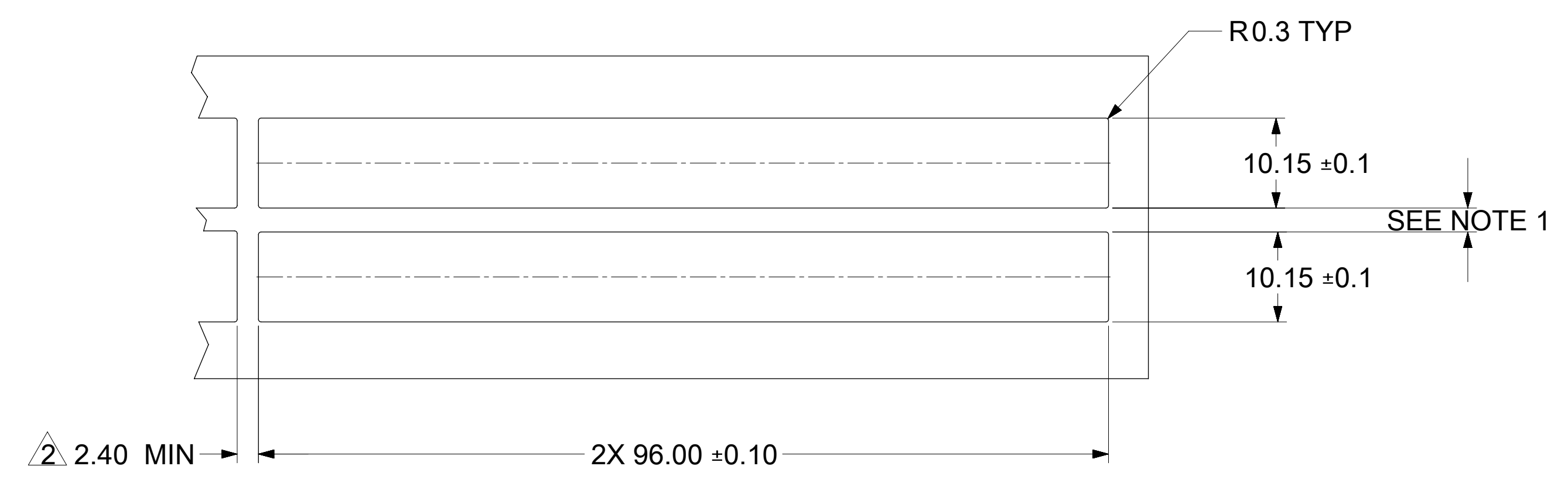
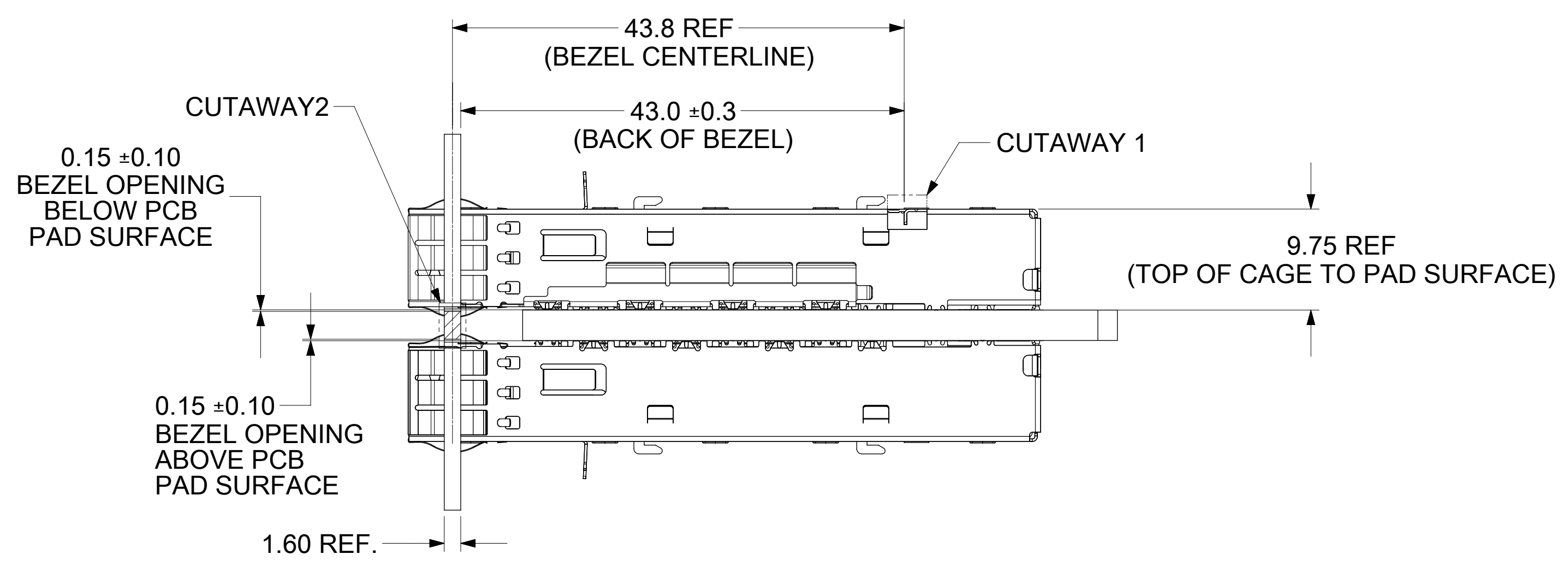
DOCUMENT NUMBER DOC TYPE DOC PART REVISION

1000193200 PSD ASY A

MATERIAL NUMBER CUSTOMER SHEET NUMBER

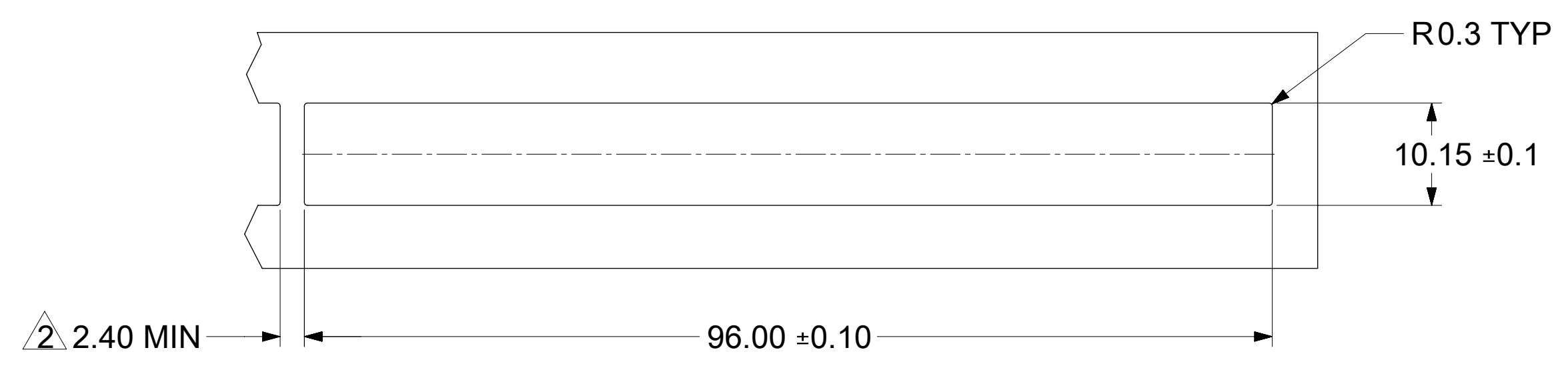
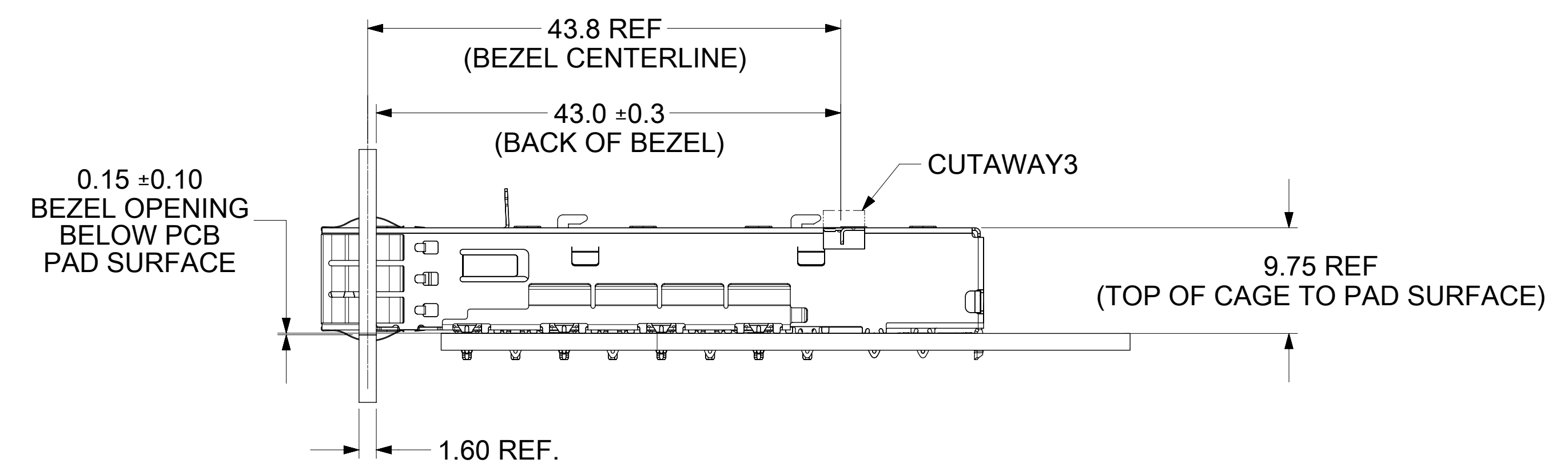
SEE P/N TABLE GENERAL MARKET 4 OF 6

BEZEL AND BOARD POSITION DIMENSIONS FOR BELLY TO BELLY MOUNTING



NOTE:
 1. PCB THICKNESS VARIATION MUST BE CONSIDERED WHEN DETERMINING BEZEL OPENING LOCATION.
 2. THIS DIMENSION IS FOR REFERENCE ONLY. USER CAN MODIFY IT DEPENDS ON APPLICATION. (THIS DIMENSION VARIES BASED ON DISTANCE OF " HOLE OF ADJACENT CAGE" ON PCB LAYOUT.)

BEZEL AND BOARD POSITION DIMENSIONS FOR SINGLE SIDE MOUNTING



FUNCTIONAL SYMBOLS										THIS DRAWING CONTAINS INFORMATION THAT IS PROPRIETARY TO MOLEX ELECTRONIC TECHNOLOGIES, LLC AND SHOULD NOT BE USED WITHOUT WRITTEN PERMISSION											
FA = 0		mm		SCALE 2.5:1		CURRENT REV DESC: SEE REVISION DESCRIPTION															
FC = 0		GENERAL TOLERANCES (UNLESS SPECIFIED)										EC NO: 698878 DRWN: PRAJWG 2022/02/17 CHK'D: TKUMARKC 2022/03/10 APPR: JCHIANG 2022/03/24 INITIAL REVISION: DRWN: PRAJWG 2022/02/17 APPR: JCHIANG 2022/03/24									
FD = 0		ANGULAR TOL ± 2.0°																			
DIVISIONAL SYMBOLS		4 PLACES ±		3 PLACES ±		2 PLACES ± 0.13		1 PLACE ± 0.25		0 PLACES ±											
DRAFT WHERE APPLICABLE MUST REMAIN WITHIN DIMENSIONS		THIRD ANGLE PROJECTION		DRAWING		SERIES		MATERIAL NUMBER		CUSTOMER										SHEET NUMBER	
		D-SIZE		100019		SEE P/N TABLE		GENERAL MARKET		5 OF 6											

molex

ZQSFP+ 1X5 GANGED CAGE ASSY
 ASSY'S W/ SUS TAB TYPE SPRING FINGER

PRODUCT CUSTOMER DRAWING

DOCUMENT NUMBER: 1000193200
 DOC TYPE: PSD
 DOC PART: ASY
 REVISION: A

