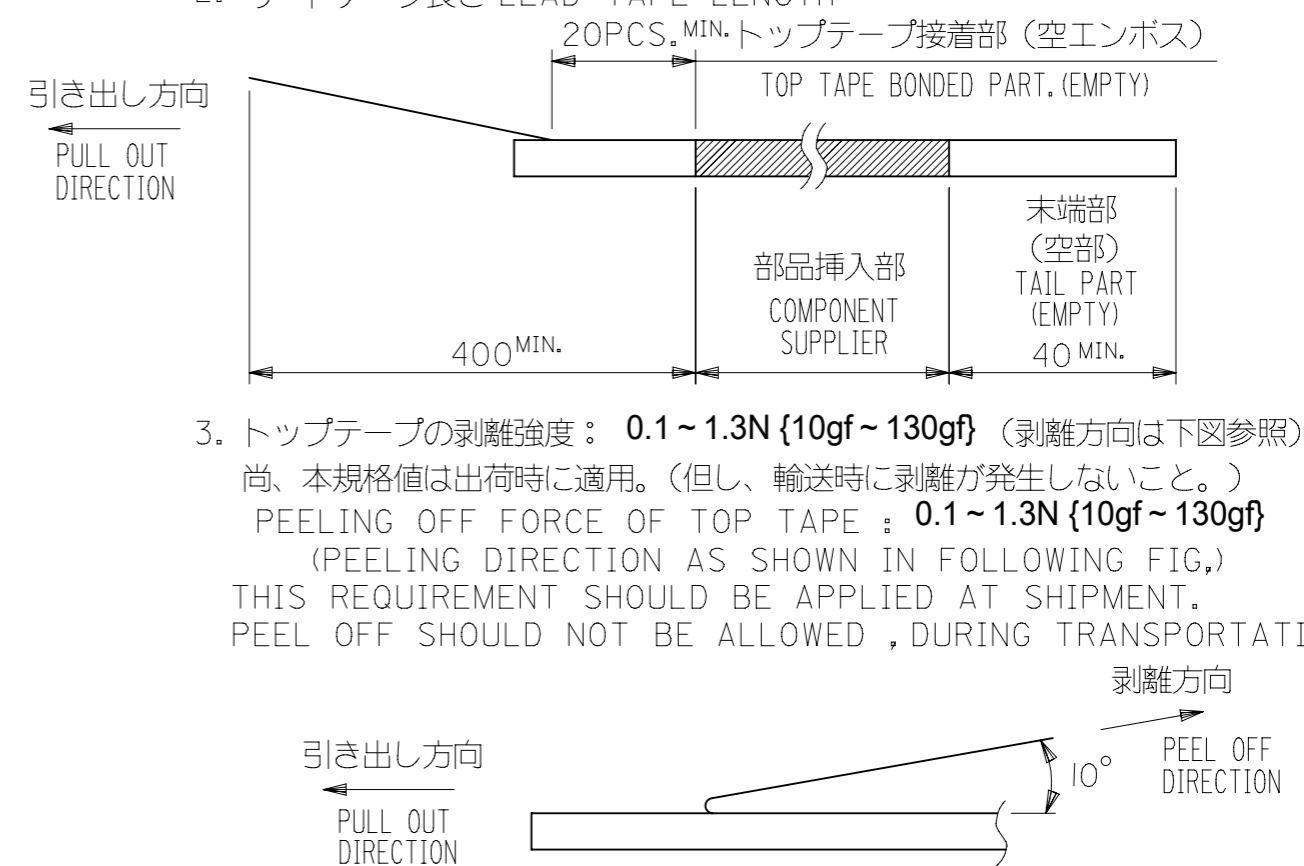


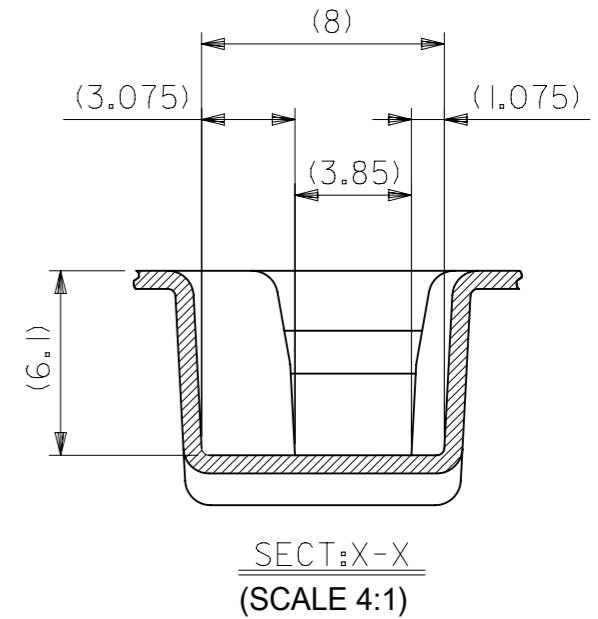
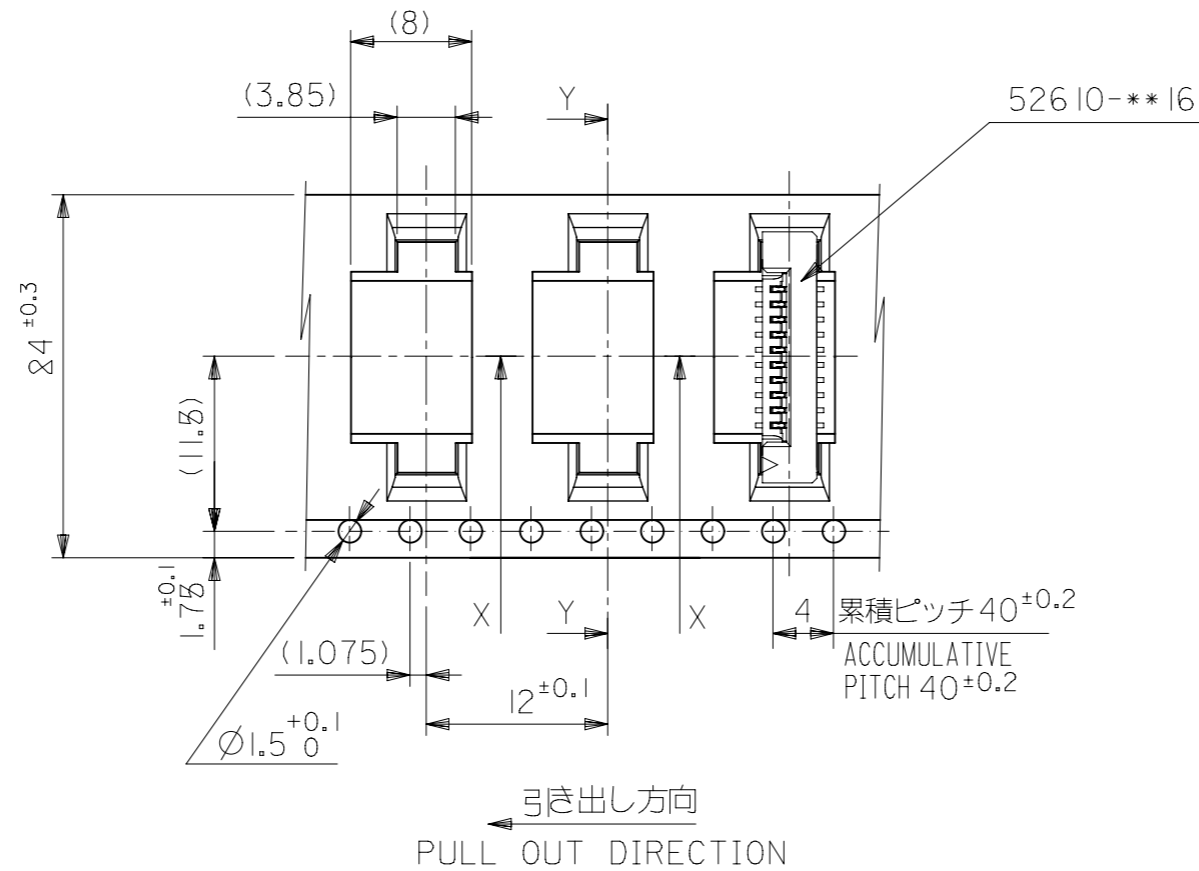
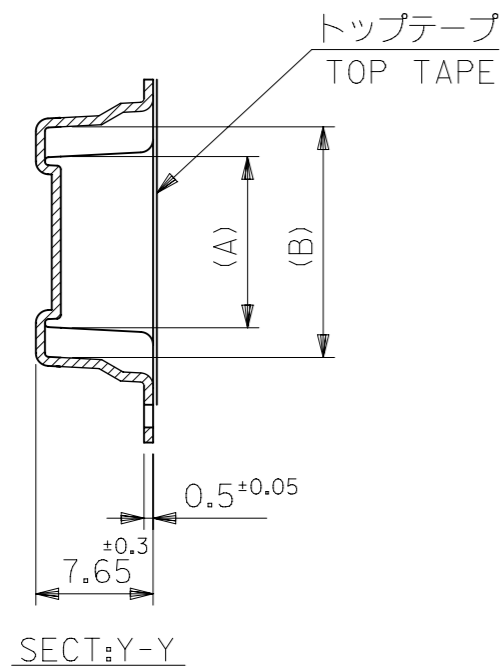
NOTES

- 梱包数量：1000個/リール  
NUMBER OF CONNECTORS : 1000PCS/REEL
- リードテープ長さ LEAD TAPE LENGTH  
20PCS. MIN. トップテープ接着部 (空エンボス)  
TOP TAPE BONDED PART. (EMPTY)  
部品挿入部  
COMPONENT SUPPLIER  
末端部 (空部)  
TAIL PART (EMPTY)  
40 MIN.
- トップテープの剥離強度：0.1~1.3N {10gf~130gf} (剥離方向は下図参照)  
尚、本規格値は出荷時に適用。(但し、輸送時に剥離が発生しないこと。)  
PEELING OFF FORCE OF TOP TAPE : 0.1~1.3N {10gf~130gf}  
(PEELING DIRECTION AS SHOWN IN FOLLOWING FIG.)  
THIS REQUIREMENT SHOULD BE APPLIED AT SHIPMENT.  
PEEL OFF SHOULD NOT BE ALLOWED , DURING TRANSPORTATION.
- 52610-\*\*-16のアクチュエータはハウジング内に押し下げた状態とする。  
詳細寸法については 製品単体図面 を参照下さい。  
ACTUATOR OF PART NO. 52610-\*\*-16 SHOULD BE LOCKED.  
RE DETAILED DIMENSIONS , SEE SALES DRAWING FOR CONNECTOR.
- 材料(MATERIAL)  
キャリアテープ(CARRIER TAPE) : ポリプロピレン(POLYPROPYLENE)  
トップテープ(TOPTAPE) : PET , PE , PEF  
リール(REEL) : ポリスチレン (PS) <リサイクル材を含む>  
POLYSTYREN(PS) <RECYCLE MATERIAL CONTAINED>
- 本製品は 52610-\*\*-90 の鉛フリー品です
- 本製品は乾燥剤入り、ハイバリア梱包仕様である。  
THIS PRODUCT IS HIGH BARRIER PACKAGE WITH DESICCANT.



GENERAL TOLERANCES (UNLESS SPECIFIED)	
10 <sup>UNDER</sup>	±0.2
10 <sup>OVER</sup> 30 <sup>UNDER</sup>	±0.25
30 <sup>OVER</sup>	±0.3
ANGULAR	±3°

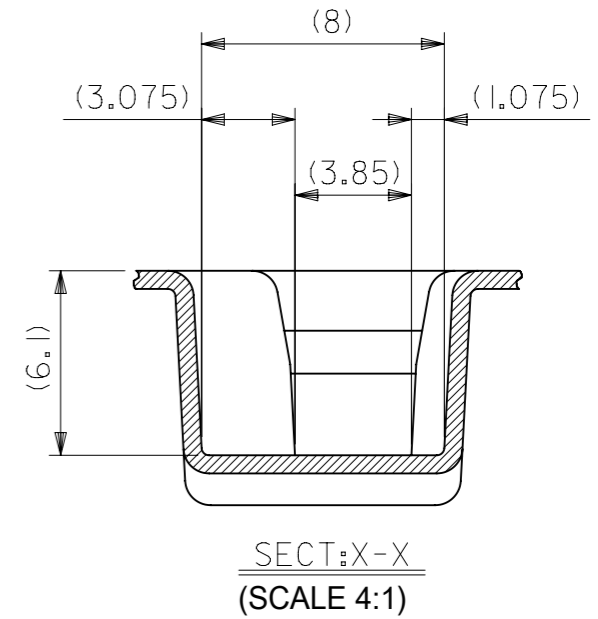
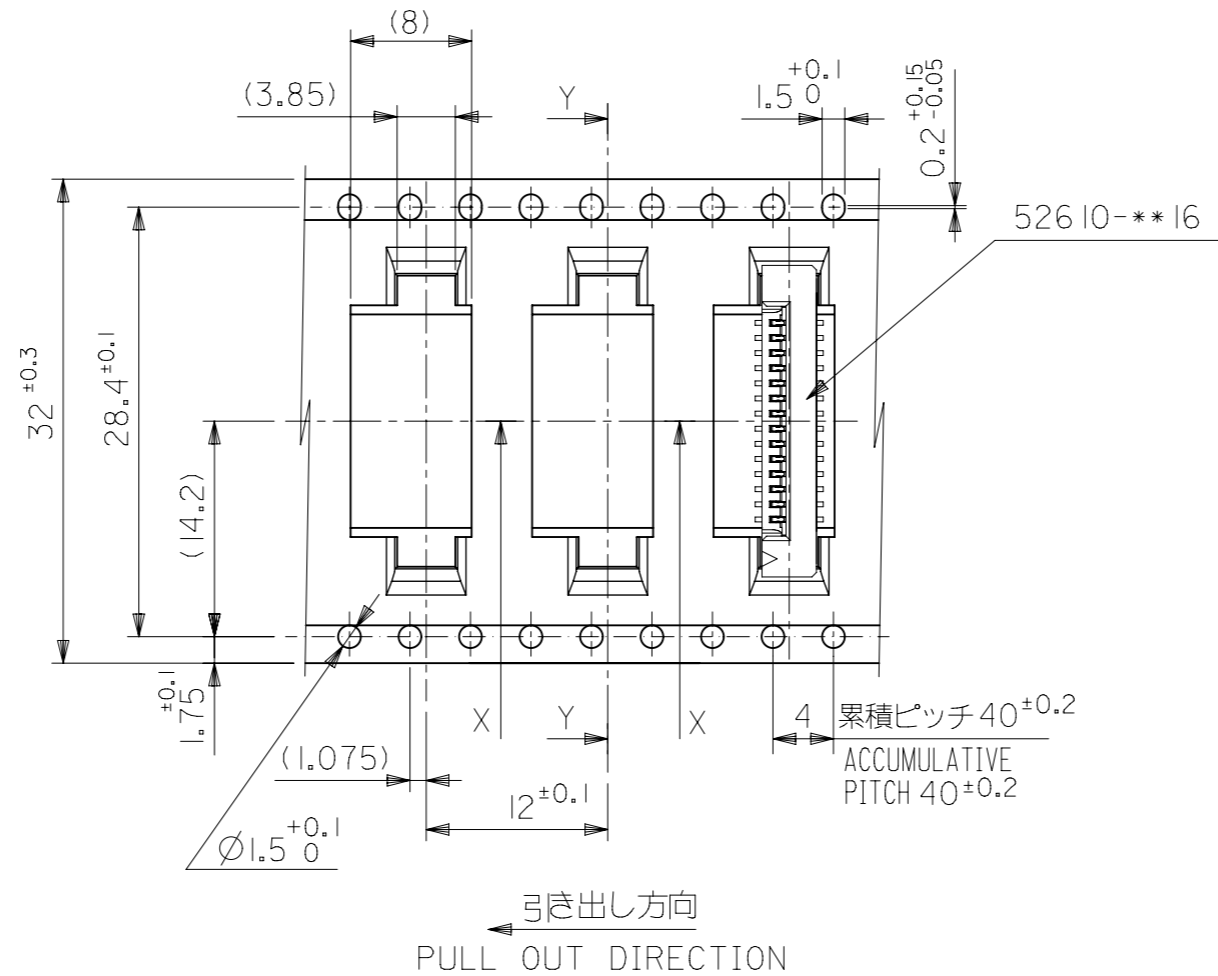
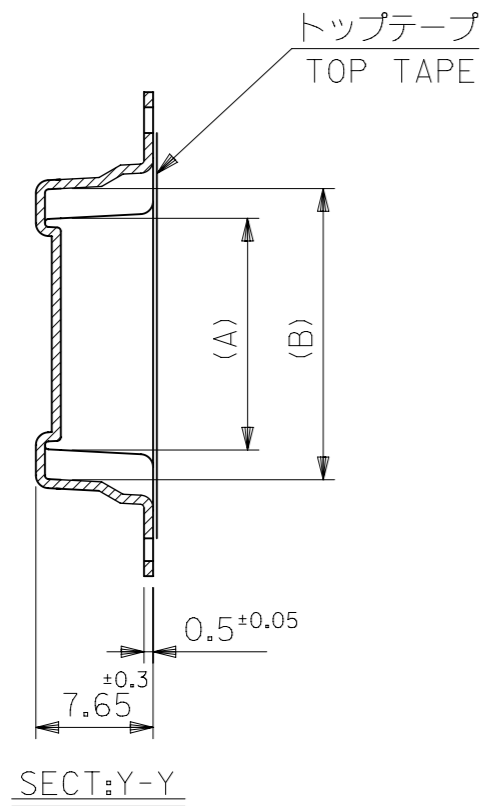
THIS DRAWING CONTAINS INFORMATION THAT IS PROPRIETARY TO MOLEX ELECTRONIC TECHNOLOGIES, LLC AND SHOULD NOT BE USED WITHOUT WRITTEN PERMISSION		52610-**71		MODEL NO.	
DIMENSION UNITS	SCALE	CURRENT REV DESC:			
mm	NTS	molex			
GENERAL TOLERANCES (UNLESS SPECIFIED)		1.0 FPC CONN SMT ZIF EMBSTP PKG -LEAD FREE-			
ANGULAR TOL ±		PRODUCT CUSTOMER DRAWING			
4 PLACES	±	EC NO: 719890	2022/09/01	DOCUMENT NUMBER	
3 PLACES	±	DRWN: DGONDO	2022/09/05	DOC TYPE	
2 PLACES	±	CHK'D: SMARUYAMA	2022/09/05	DOC PART	
1 PLACE	±	APPR: YNAITO	2022/09/05	REVISION	
0 PLACES	±	INITIAL REVISION:		SD-52610-038	
DRAFT WHERE APPLICABLE MUST REMAIN WITHIN DIMENSIONS		DRWN: NAIDA	2005/08/08	PSD	001
THIRD ANGLE PROJECTION		APPR: NUKITA	2005/08/22	D	
DRAWING		SERIES	MATERIAL NUMBER	CUSTOMER	SHEET NUMBER
A3-SIZE		52610	SEE TABLE	GENERAL MARKET	1 OF 5



24	29.4	25.4	15.25	11.32	52610-1071	10
			14.25	10.32	52610-0971	9
			13.25	9.32	52610-0871	8
			12.25	8.32	52610-0771	7
			11.25	7.32	52610-0671	6
			10.25	6.32	52610-0571	5
キャリアテープ幅 CARRIER TAPE WIDTH	D	C	(B)	(A)	MATERIAL NO.	極数 CKT.
					52610-**-71	MODEL NO.

THIS DRAWING CONTAINS INFORMATION THAT IS PROPRIETARY TO MOLEX ELECTRONIC TECHNOLOGIES, LLC AND SHOULD NOT BE USED WITHOUT WRITTEN PERMISSION											
DIMENSION UNITS		SCALE		CURRENT REV DESC:							
mm		NTS		<b>molex</b> 1.0 FPC CONN SMT ZIF EMBSTP PKG -LEAD FREE- PRODUCT CUSTOMER DRAWING							
GENERAL TOLERANCES (UNLESS SPECIFIED)											
ANGULAR TOL ±											
4 PLACES ±											
3 PLACES ±											
2 PLACES ±				EC NO: 719890				2022/09/01			
1 PLACE ±				DRWN: DGONDO				2022/09/05			
0 PLACES ±				CHK'D: SMARUYAMA				2022/09/05			
DRAFT WHERE APPLICABLE MUST REMAIN WITHIN DIMENSIONS				APP: YNAITO				2022/09/05			
INITIAL REVISION:				DRWN: NAIDA				2005/08/08			
THIRD ANGLE PROJECTION				APP: NUKITA				2005/08/22			
DRAWING		SERIES		MATERIAL NUMBER		CUSTOMER		DOCUMENT NUMBER		DOC TYPE DOC PART REVISION	
A3-SIZE		52610		SEE TABLE		GENERAL MARKET		SD-52610-038		PSD 001 D	
SHEET NUMBER		2 OF 5									

GENERAL TOLERANCES (UNLESS SPECIFIED)	
10 <sup>UNDER</sup>	±0.2
10 <sup>OVER</sup> 30 <sup>UNDER</sup>	±0.25
30 <sup>OVER</sup>	±0.3
ANGULAR	±3°

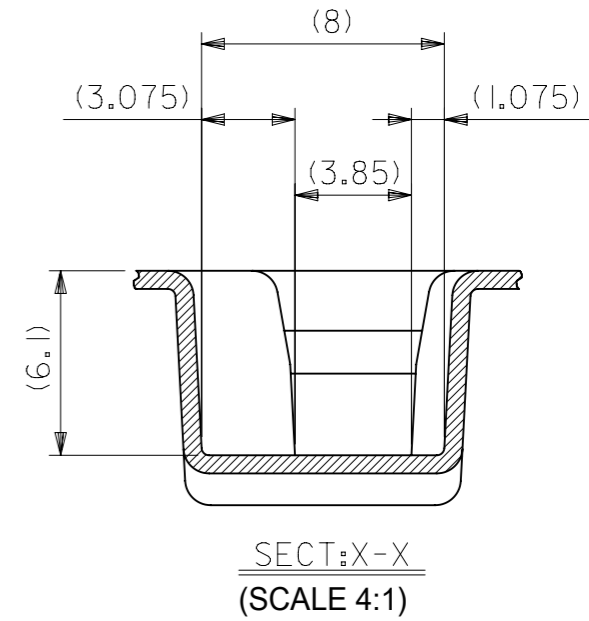
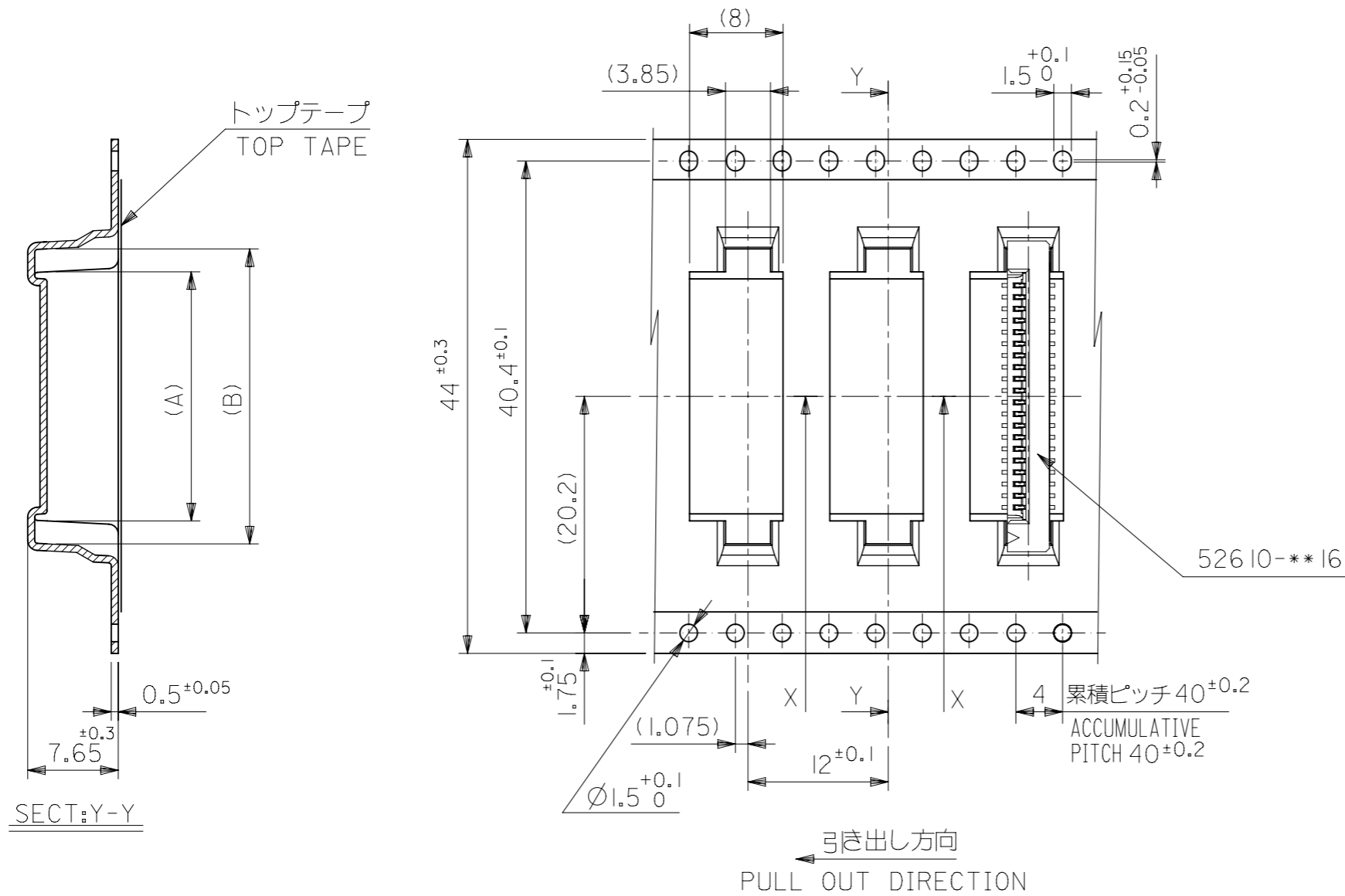


32	37.4	33.4	20.25	16.32	52610-1571	15
			19.25	15.32	52610-1471	14
			18.25	14.32	52610-1371	13
			17.25	13.32	52610-1271	12
			16.25	12.32	52610-1171	11
キャリアテープ幅 CARRIER TAPE WIDTH	D	C	(B)	(A)	MATERIAL NO.	極数 CKT.

52610-\*\*71 MODEL NO.

THIS DRAWING CONTAINS INFORMATION THAT IS PROPRIETARY TO MOLEX ELECTRONIC TECHNOLOGIES, LLC AND SHOULD NOT BE USED WITHOUT WRITTEN PERMISSION											
DIMENSION UNITS		SCALE		CURRENT REV DESC:							
mm		NTS		<b>molex</b> 1.0 FPC CONN SMT ZIF EMBSTP PKG -LEAD FREE- PRODUCT CUSTOMER DRAWING							
GENERAL TOLERANCES (UNLESS SPECIFIED)											
ANGULAR TOL ±											
4 PLACES ±											
3 PLACES ±											
2 PLACES ±				EC NO: 719890		2022/09/01		DOCUMENT NUMBER		DOC TYPE DOC PART REVISION	
1 PLACE ±				DRWN: NAIDA		2005/08/08		SD-52610-038		PSD 001 D	
0 PLACES ±				APP: NUKITA		2005/08/22		MATERIAL NUMBER		CUSTOMER	
DRAFT WHERE APPLICABLE MUST REMAIN WITHIN DIMENSIONS				THIRD ANGLE PROJECTION		DRAWING		SERIES		SHEET NUMBER	
				A3-SIZE		52610		SEE TABLE		GENERAL MARKET 3 OF 5	

GENERAL TOLERANCES (UNLESS SPECIFIED)	
10 <sup>UNDER</sup>	±0.2
10 <sup>OVER</sup> 30 <sup>UNDER</sup>	±0.25
30 <sup>OVER</sup>	±0.3
ANGULAR	±3°



44	49.4	45.4	31.25	27.32	526 10-2671	26
			30.25	26.32	526 10-2571	25
			29.25	25.32	526 10-2471	24
			28.25	24.32	526 10-2371	23
			27.25	23.32	526 10-2271	22
			26.25	22.32	526 10-2171	21
			25.25	21.32	526 10-2071	20
			24.25	20.32	526 10-1971	19
			23.25	19.32	526 10-1871	18
			22.25	18.32	526 10-1771	17
			21.25	17.32	526 10-1671	16
キャリアテープ幅 CARRIER TAPE WIDTH	D	C	(B)	(A)	MATERIAL NO.	極数 CKT.

52610-\*\*71 MODEL NO.

THIS DRAWING CONTAINS INFORMATION THAT IS PROPRIETARY TO MOLEX ELECTRONIC TECHNOLOGIES, LLC AND SHOULD NOT BE USED WITHOUT WRITTEN PERMISSION											
DIMENSION UNITS		SCALE		CURRENT REV DESC:							
mm		NTS									
GENERAL TOLERANCES (UNLESS SPECIFIED)				GENERAL TOLERANCES (UNLESS SPECIFIED)							
ANGULAR TOL				ANGULAR TOL ± °							
4 PLACES				±							
3 PLACES				±							
2 PLACES				±							
1 PLACE				±							
0 PLACES				±							
DRAFT WHERE APPLICABLE MUST REMAIN WITHIN DIMENSIONS				THIRD ANGLE PROJECTION		DRAWING		SERIES		MATERIAL NUMBER	
				A3-SIZE		52610		SEE TABLE		GENERAL MARKET	

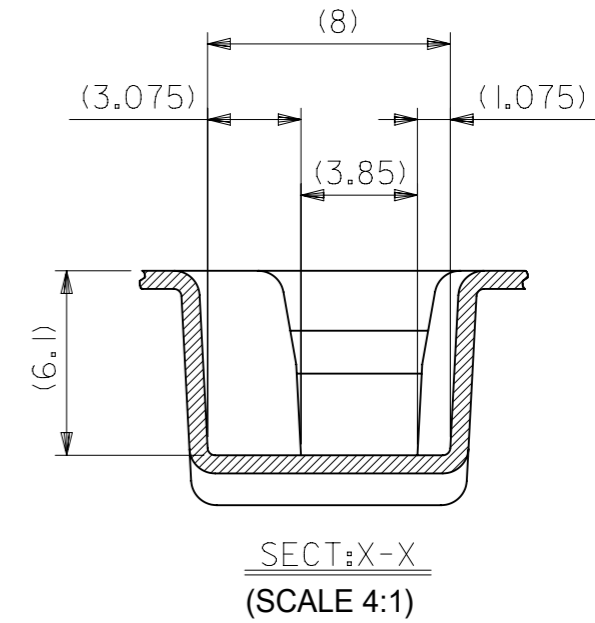
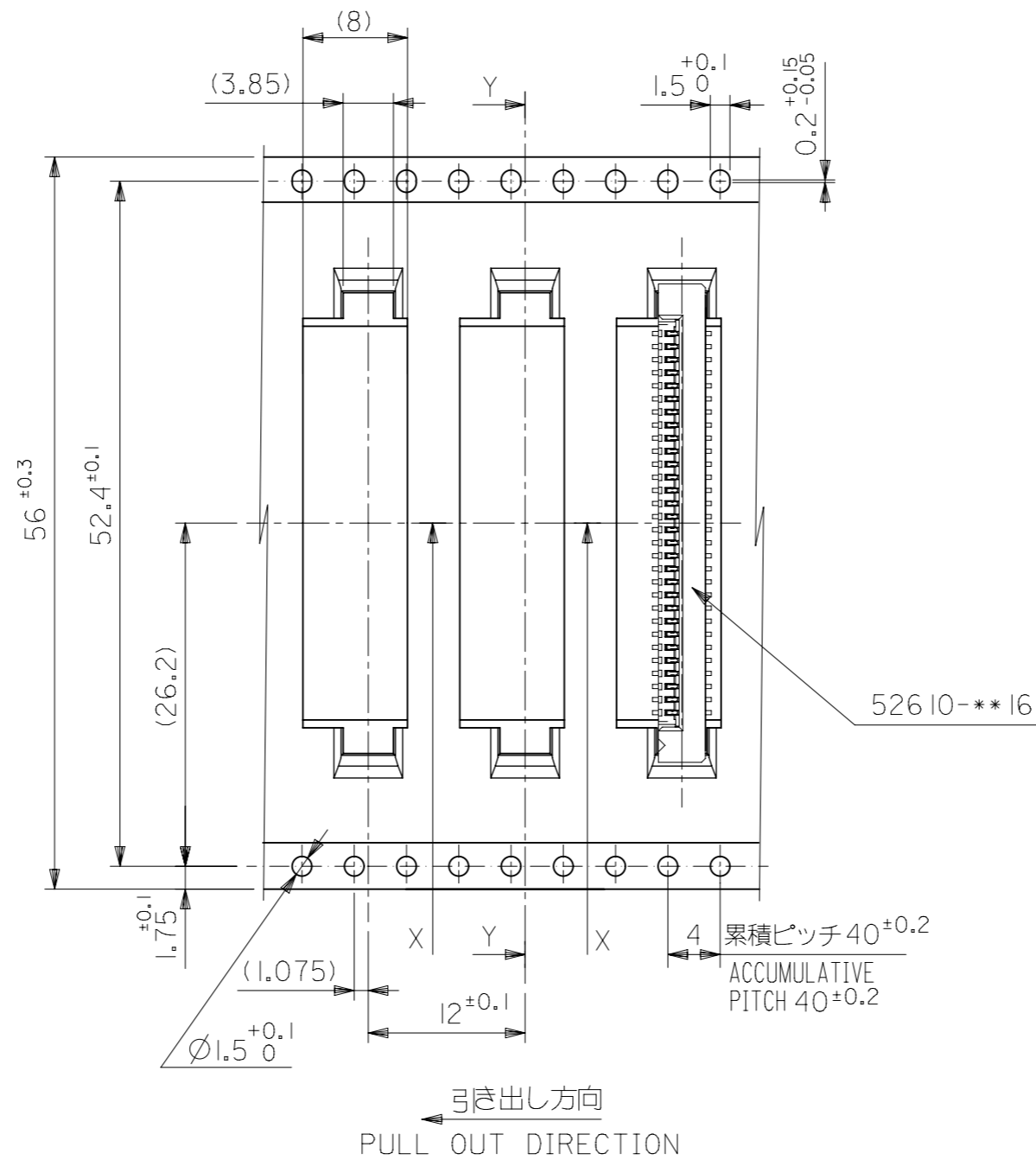
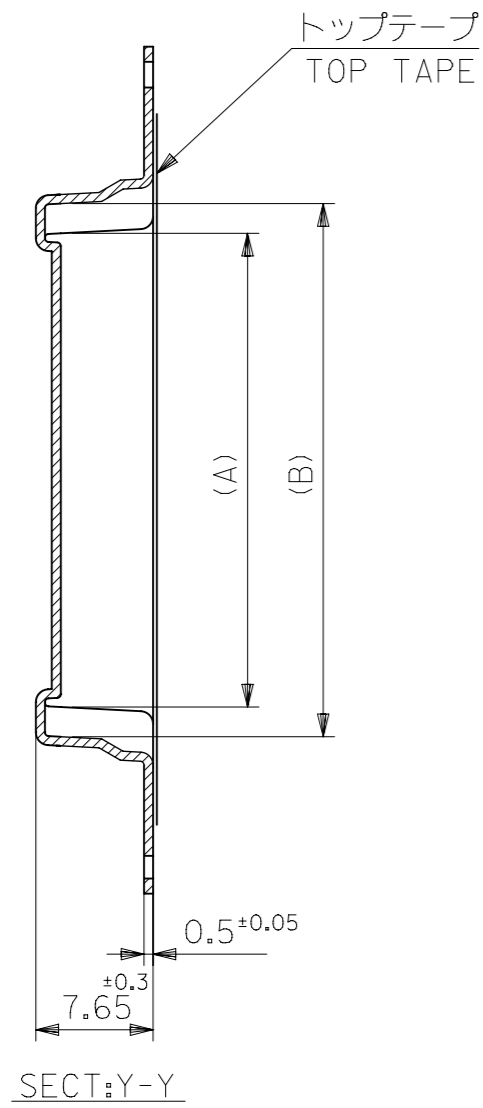
GENERAL TOLERANCES (UNLESS SPECIFIED)	
10 <sup>UNDER</sup>	±0.2
10 <sup>OVER</sup> 30 <sup>UNDER</sup>	±0.25
30 <sup>OVER</sup>	±0.3
ANGULAR	±3 °

**molex**

1.0 FPC CONN SMT  
ZIF EMBSTP PKG -LEAD FREE-

PRODUCT CUSTOMER DRAWING

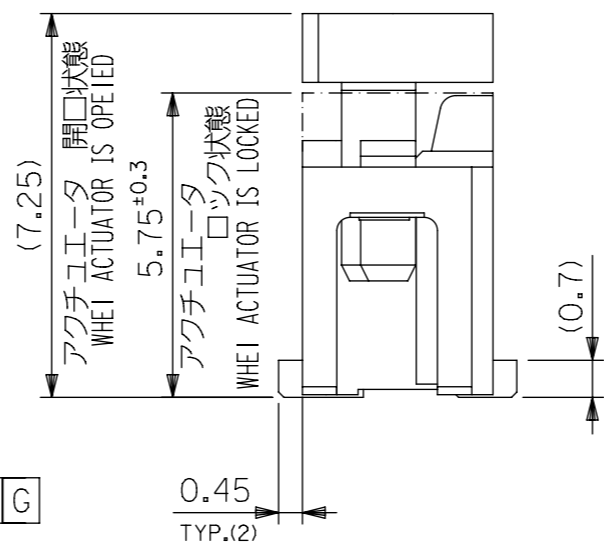
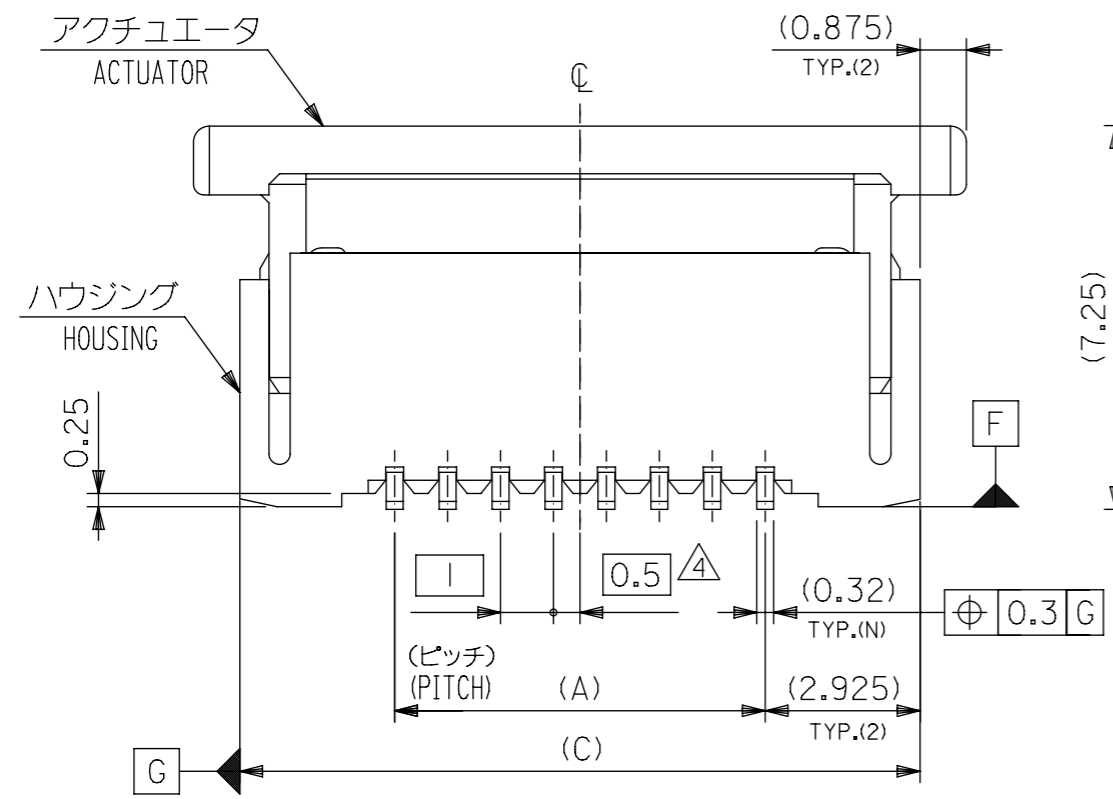
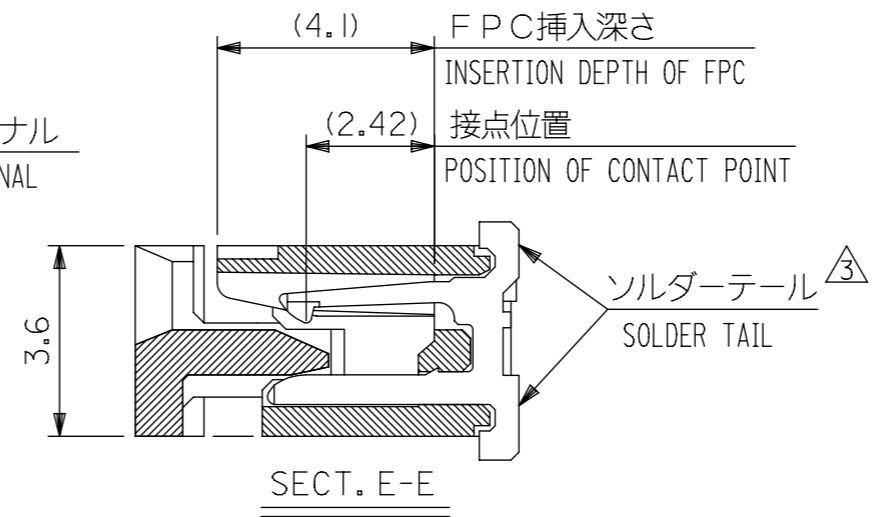
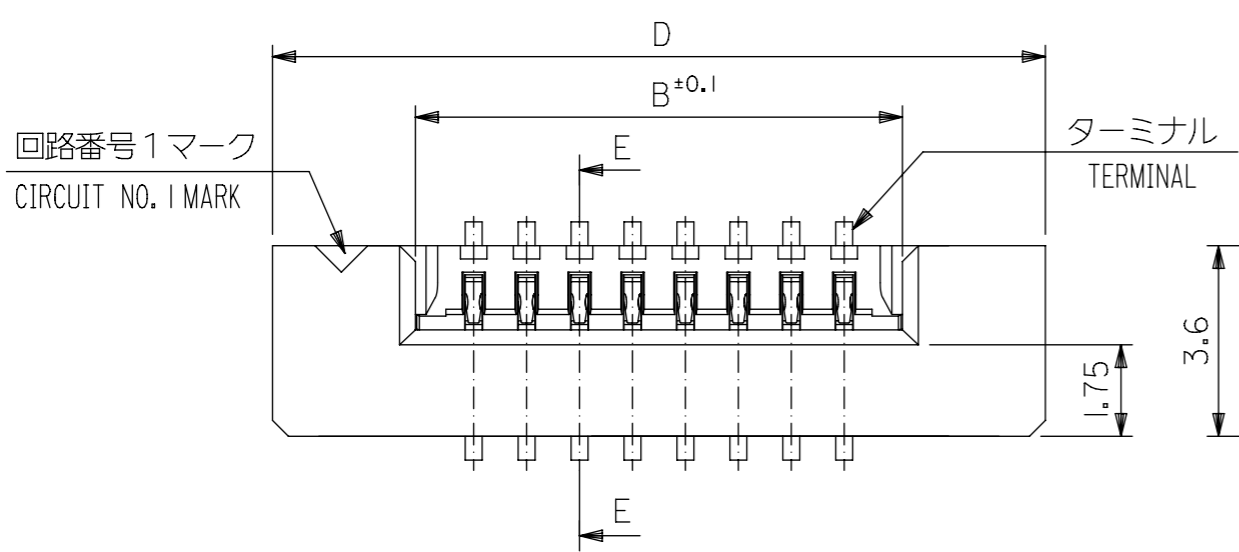
DOCUMENT NUMBER: SD-52610-038  
DOC TYPE: PSD  
DOC PART: 001  
REVISION: D



56	61.4	57.4	35.25	31.32	52610-3071	30
			33.25	29.32	52610-2871	28
キャリアテープ幅 CARRIER TAPE WIDTH	D	C	(B)	(A)	MATERIAL NO.	極数 CKT.

52610-\*\*71 MODEL NO.

THIS DRAWING CONTAINS INFORMATION THAT IS PROPRIETARY TO MOLEX ELECTRONIC TECHNOLOGIES, LLC AND SHOULD NOT BE USED WITHOUT WRITTEN PERMISSION		CURRENT REV DESC:		<b>molex</b>						
DIMENSION UNITS	SCALE							1.0 FPC CONN SMT ZIF EMBSTP PKG -LEAD FREE-		
mm	NTS			PRODUCT CUSTOMER DRAWING						
GENERAL TOLERANCES (UNLESS SPECIFIED)		ANGULAR TOL ±		EC NO: 719890		DOCUMENT NUMBER		DOC TYPE	DOC PART	REVISION
4 PLACES ±		°		DRWN: DGONDO 2022/09/01		SD-52610-038		PSD	001	D
3 PLACES ±				CHK'D: SMARUYAMA 2022/09/05		MATERIAL NUMBER		CUSTOMER		
2 PLACES ±				APPR: YNAITO 2022/09/05		2005/08/08		GENERAL MARKET		
1 PLACE ±				INITIAL REVISION:		2005/08/22		SHEET NUMBER		
0 PLACES ±				DRWN: NAIDA				5 OF 5		
30 OVER ±0.3				APPR: NUKITA						
10 OVER ±0.2				THIRD ANGLE PROJECTION		DRAWING				
10 UNDER ±0.2				DRAWING		SERIES				
30 OVER ±0.3				A3-SIZE		52610				
ANGULAR ±3°				MUST REMAIN WITHIN DIMENSIONS						

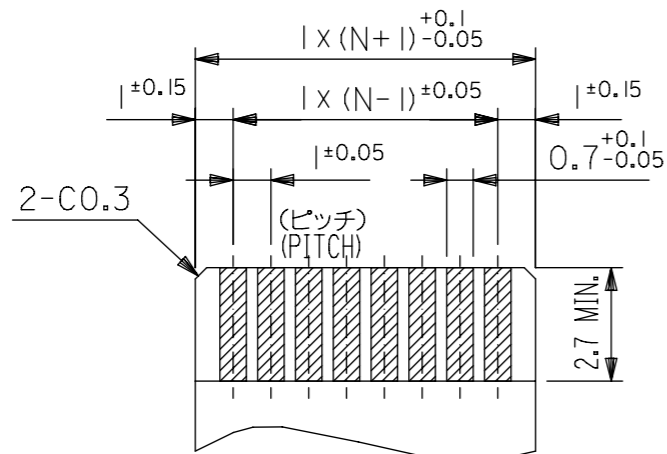


注記 (NOTES):

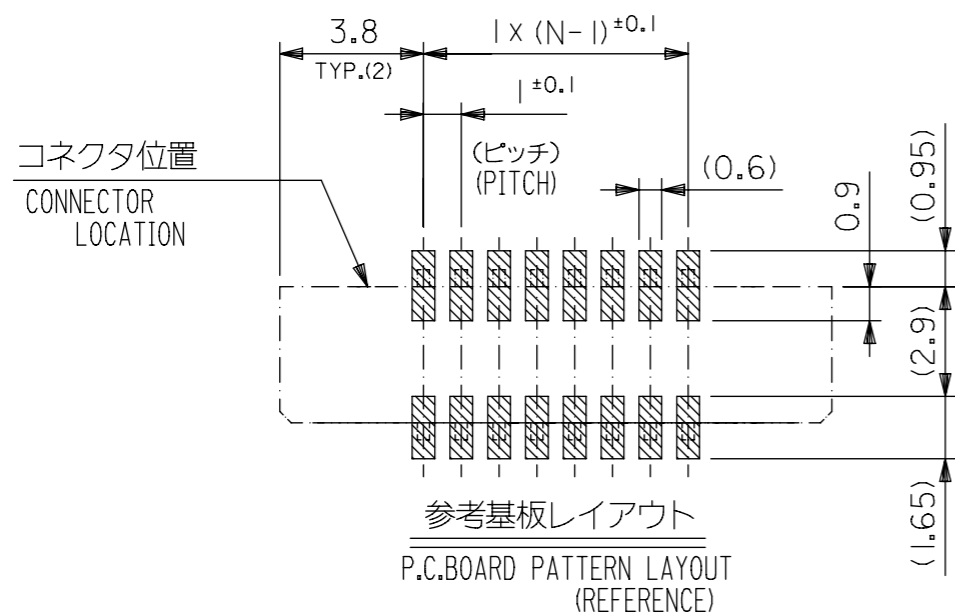
- 材料 (MATERIAL)  
 ハウジング (HOUSING): 46NYLON, UL94V-0  
 アクチュエータ (ACTUATOR): PPS, UL94V-0  
 ターミナル (TERMINAL): リン青銅 (+0.32)  
 PHOS-BRO  
 錫 (3%±1%) ビスマスメッキ 1.0マイクロメートル以上  
 TIN (3%±1%) BISMUTH 1.0 MICROMETER MINIMUM  
 ニッケル下地 1.0マイクロメートル以上  
 NICKEL (UNDER PLATING) 1.0 MICROMETER MINIMUM
- エンボステープ梱包時は、アクチュエータがロックした状態とする。  
 IN THE PACKAGE, ACTUATOR OF PART NO. 52610-\*\*16 SHOULD BE LOCKED.
- △3 ソルダータール半田付け面のズレ量は、基準面 [F] に対し上方向 0.05 MAX., 下方向 0.15 MAX. とする。  
 MISALIGNMENT OF SOLDER TAILS FROM [F] UPPER DIRECTION : 0.05 MAX., LOWER DIRECTION : 0.15 MAX.
- △4 偶数極に適用。  
 APPLY FOR EVEN CIRCUIT.
- 本製品は 52610-\*\*17 の鉛フリー品です

GENERAL TOLERANCES (UNLESS SPECIFIED)	
10 <sup>UNDER</sup>	±0.2
10 <sup>OVER</sup> 30 <sup>UNDER</sup>	±0.25
30 <sup>OVER</sup>	±0.3
ANGULAR	±3°

THIS DRAWING CONTAINS INFORMATION THAT IS PROPRIETARY TO MOLEX ELECTRONIC TECHNOLOGIES, LLC AND SHOULD NOT BE USED WITHOUT WRITTEN PERMISSION		CURRENT REV DESC:		<b>molex</b>	
DIMENSION UNITS	SCALE				
mm	NTS			1.0 FPC CONNECTOR Z.I.F. FOR SMT.(ST.) -LEAD FREE-	
GENERAL TOLERANCES (UNLESS SPECIFIED)		EC NO: 745355		PRODUCT CUSTOMER DRAWING	
ANGULAR TOL ± °		DRWN: RAJMOK 2023/04/06		DOCUMENT NUMBER	
4 PLACES ±		CHK'D: HSHIMOYAMA 2023/04/07		SD-52610-041	
3 PLACES ±		APPR: HSHIMOYAMA 2023/04/07		DOC TYPE DOC PART REVISION	
2 PLACES ±		INITIAL REVISION:		PSD 001 H	
1 PLACE ±		DRWN: MNAIBEI 2006/04/17			
0 PLACES ±		APPR: NUKITA 2006/04/20			
DRAFT WHERE APPLICABLE MUST REMAIN WITHIN DIMENSIONS		THIRD ANGLE PROJECTION	DRAWING	SERIES	MATERIAL NUMBER
			A3-SIZE	52610	SEE SHEET-2
					CUSTOMER
					GENERAL MARKET
					SHEET NUMBER
					1 OF 2



適合FPC推奨寸法  
 APPLICABLE FPC RECOMMENDED DIM.  
 仕上がり厚さ(THICKNESS): 0.3 ±0.05



参考基板レイアウト  
 P.C.BOARD PATTERN LAYOUT  
 (REFERENCE)

FPCについて:  
 打抜き方向は導体側から補強板側を推奨致します。  
 補強フィルム材質はポリイミドを推奨致します。  
 接着剤は熱硬化接着剤を推奨致します。

ABOUT FPC:  
 RECOMMENDED PUNCHER DIRECTION : FROM CONDUCTOR SIDE TO STIFFENER BOARD SIDE.  
 RECOMMENDED MATERIAL :  
 STIFFENER FILM : POLYIMIDE  
 BONDING AGENT : THRMOSSETTING BONDING AGENT

36.6	34.85	31.2	29	52610-3071	30
34.6	32.85	29.2	27	-2871	28
32.6	30.85	27.2	25	-2671	26
31.6	29.85	26.2	24	-2571	25
30.6	28.85	25.2	23	-2471	24
29.6	27.85	24.2	22	-2371	23
28.6	26.85	23.2	21	-2271	22
27.6	25.85	22.2	20	-2171	21
26.6	24.85	21.2	19	-2071	20
25.6	23.85	20.2	18	-1971	19
24.6	22.85	19.2	17	-1871	18
23.6	21.85	18.2	16	-1771	17
22.6	20.85	17.2	15	-1671	16
21.6	19.85	16.2	14	-1571	15
20.6	18.85	15.2	13	-1471	14
19.6	17.85	14.2	12	-1371	13
18.6	16.85	13.2	11	-1271	12
17.6	15.85	12.2	10	-1171	11
16.6	14.85	11.2	9	-1071	10
15.6	13.85	10.2	8	-0971	9
14.6	12.85	9.2	7	-0871	8
13.6	11.85	8.2	6	-0771	7
12.6	10.85	7.2	5	-0671	6
11.6	9.85	6.2	4	52610-0571	5
D	(C)	B	(A)	MATERIAL NO.	CKT.

THIS DRAWING CONTAINS INFORMATION THAT IS PROPRIETARY TO MOLEX ELECTRONIC TECHNOLOGIES, LLC AND SHOULD NOT BE USED WITHOUT WRITTEN PERMISSION

DIMENSION UNITS mm	SCALE NTS	CURRENT REV DESC:		<b>molex</b>		
GENERAL TOLERANCES (UNLESS SPECIFIED)		EC NO: 745355				
ANGULAR TOL ± °	4 PLACES ±	DRWN: RAJMOK 2023/04/06		PRODUCT CUSTOMER DRAWING		
3 PLACES ±	2 PLACES ±	CHK'D: HSHIMOYAMA 2023/04/07		DOCUMENT NUMBER		
1 PLACE ±	0 PLACES ±	APPR: HSHIMOYAMA 2023/04/07		SD-52610-041		
DRAFT WHERE APPLICABLE MUST REMAIN WITHIN DIMENSIONS		INITIAL REVISION:		DOC TYPE	DOC PART	REVISION
THIRD ANGLE PROJECTION		DRWN: MNABEI 2006/04/17		PSD	001	H
DRAWING		APPR: NUKITA 2006/04/20		MATERIAL NUMBER	CUSTOMER	SHEET NUMBER
A3-SIZE		SERIES 52610		SEE TABLE	GENERAL MARKET	2 OF 2

GENERAL TOLERANCES (UNLESS SPECIFIED)	
10 <sup>UNDER</sup>	±0.2
10 <sup>OVER</sup> 30 <sup>UNDER</sup>	±0.25
30 <sup>OVER</sup>	±0.3
ANGULAR	±3 °