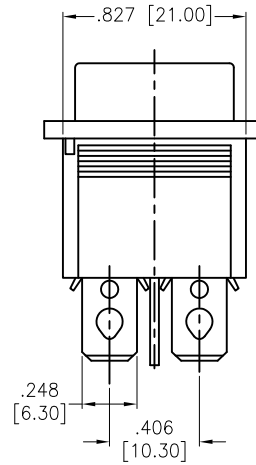
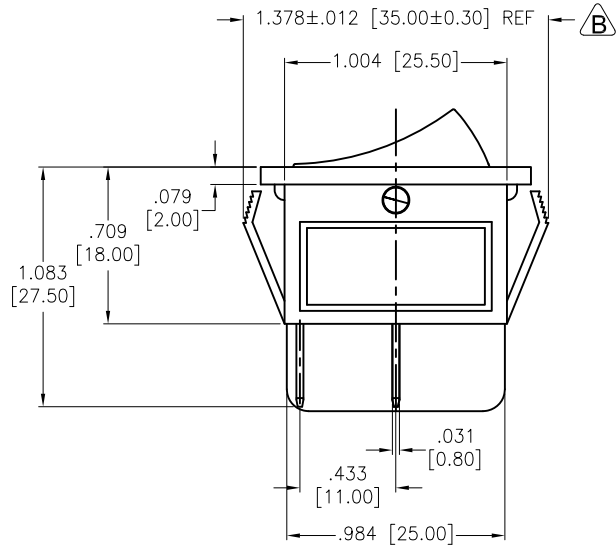
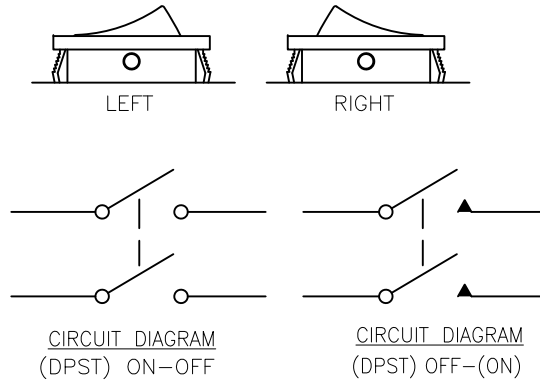
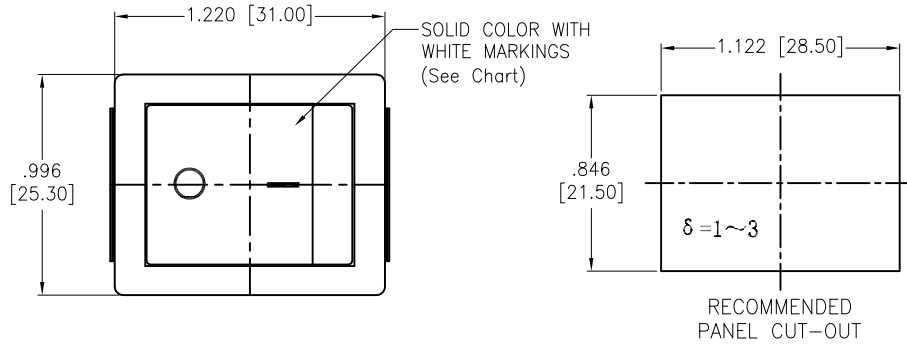


APPROVED: _____
 DATE: _____ TITLE: _____

Rev	AWO #	Description	Date	Appr
-		RELEASED	9/2/21	
A		UPDATE DIM	5/27/22	WX/MC
B		UPDATED DIM.	11/24/22	JJ/AC1



SW-R1-3X-E-XX-0

A=ON-OFF
C=OFF-(ON)

Actuator Color	Actuator Markings		
BLANK	Standard Black	1	
W	White	2	
R	Red	3	
G	Green	4	
Y	Yellow (Amber)	5	
B	Blue		

SPECIFICATIONS:
 Body: Nylon 66, Color Black, Rated UL 94V-0
 Terminal: Brass, Silver plated
 Button: Nylon 66, Solid color, White color markings. (See Chart)
 Electrical:

The rated load: 250V AC, 16A
 125V AC, 20A
 Contact resistance: 50 mohms max
 Insulation resistance: 100 Mohms min
 Dielectric withstanding voltage: 1500 VAC/5S min

Mechanical:
 Electrical life: 10000 Cycles min
 Temperature Rating:
 Operating temperature: -25°C to +85°C
 Environmental:

Lead free, RoHS compliant

Replace "x" in P/N with the corresponding switch color and marking

UNLESS OTHERWISE SPECIFIED ALL DIMENSIONS ARE INCHES [MM]. TOLERANCES: EXCEPT AS NOTED

INCHES	HOLES
.X ± .10	ØX ± .10
.XX ± .020	ØXX ± .015
.XXX ± .015	ØXXX ± .010

ADAM TECH

909 Rahway Avenue,
 Union, NJ 07083
 Phone: 908-687-5000
 Fax: 908-687-5710

DRAWN	WC	9/2/21
CHECKED	RC	9/2/21
APPROVED		

TITLE SWITCH, MEDIUM ROCKER, DPST, ON-OFF, OFF-(ON), QC .250 [6.35MM]

THIS DRAWING CONTAINS INFORMATION THAT IS PROPRIETARY AND SHOULD NOT BE USED WITHOUT PRIOR WRITTEN PERMISSION FROM ADAM TECH

SIZE	PART NO.	REV.
X	SW-R1-3X-E-XX-0	A

REF: S00206C SCALE: NTS SHEET 1 OF 1