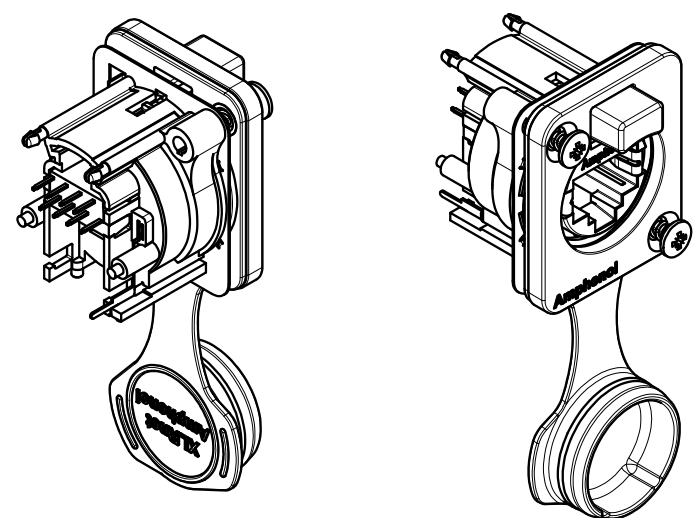
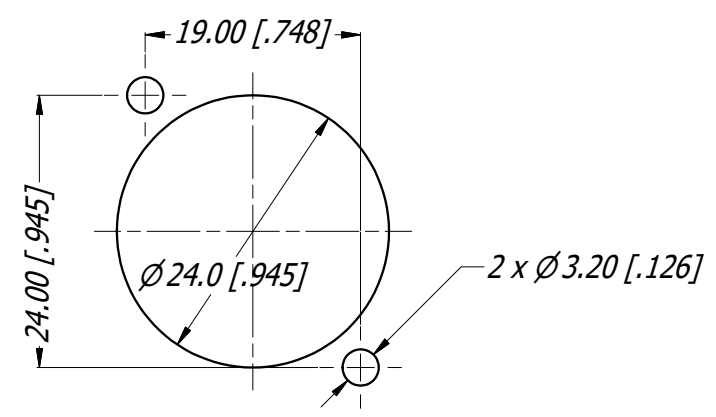


PCB LAYOUT  
3:2  
**(CONNECTOR REAR VIEW)**

- RJ45 CONTACTS
- RJ45 SHELL GROUND CONTACT
- CONNECTOR LOCATION PINS



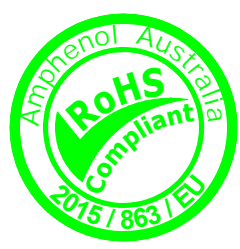
3D VIEW  
1:1



PANEL CUT OUT  
3:2  
**(CONNECTOR FRONT VIEW)**

**TABLE OF PART NUMBERS**

PART No.	FINISH	TRANS. CLASS
RJXS8FG3VB	NICKEL PLATE	CLASS D
RJXS8FG5VB	NICKEL PLATE	CAT5e
RJXS8FG6VB	NICKEL PLATE	CAT6



UNLESS OTHERWISE SPECIFIED TOLERANCE TO BE		THIS DOCUMENT IS THE PROPERTY OF AMPHENOL AUSTRALIA PTY. LTD. NO PART THEREOF MAY BE REPRODUCED AND USED WITHOUT THE PRIOR WRITTEN CONSENT OF THE OWNER.			
LINER	ANGULAR	MATERIAL:	DRN:	T.N	DATE: 04/03/20
X ±0.5	X' ±1	<b>REFER SPECIFICATION</b>	CKD:	P.M	DATE: 04/03/20
X.X ±0.1	X.X' ±30'		APP'D:	P.M	DATE: 04/03/20
X.X ±0.05	X.X'X' ±15'		FINISH:		
DO NOT SCALE		DIMENSIONS IN MILLIMETRES	THIRD ANGLE PROJECTION	SCALE: <b>3:2</b>	SIZE: <b>A3</b>

**Amphenol** Amphenol Australia Pty.Ltd,  
22 Industry Blvd, Carrum Downs  
VIC 3201 Australia

TITLE: **XLRnet CONNECTOR VERT IP54 WITH CAP CUSTOMER DRAWING**

PART No:	REV
<b>SEE TABLE OF P/No.</b>	<b>1</b>
DRAWING No.	SHEET
<b>55011396-000</b>	<b>2/2</b>