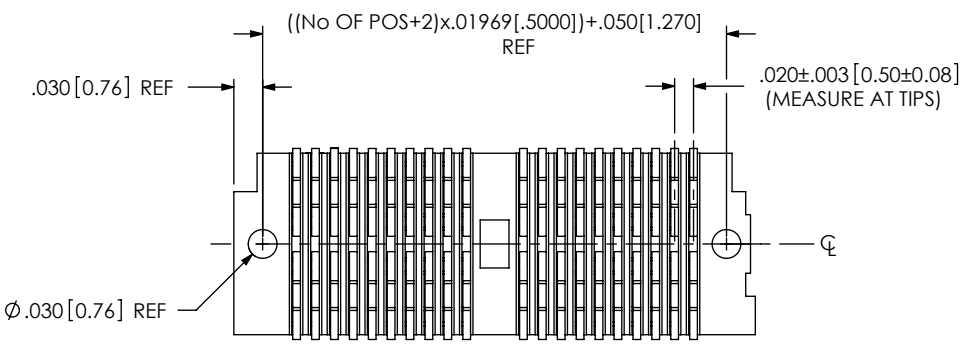
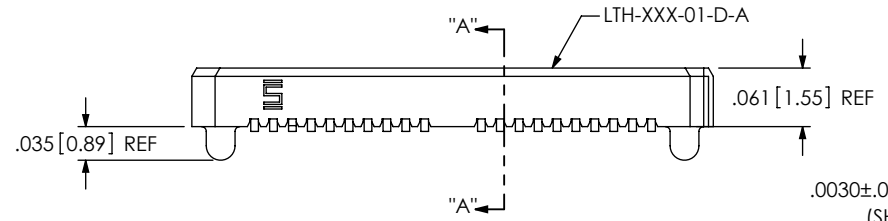
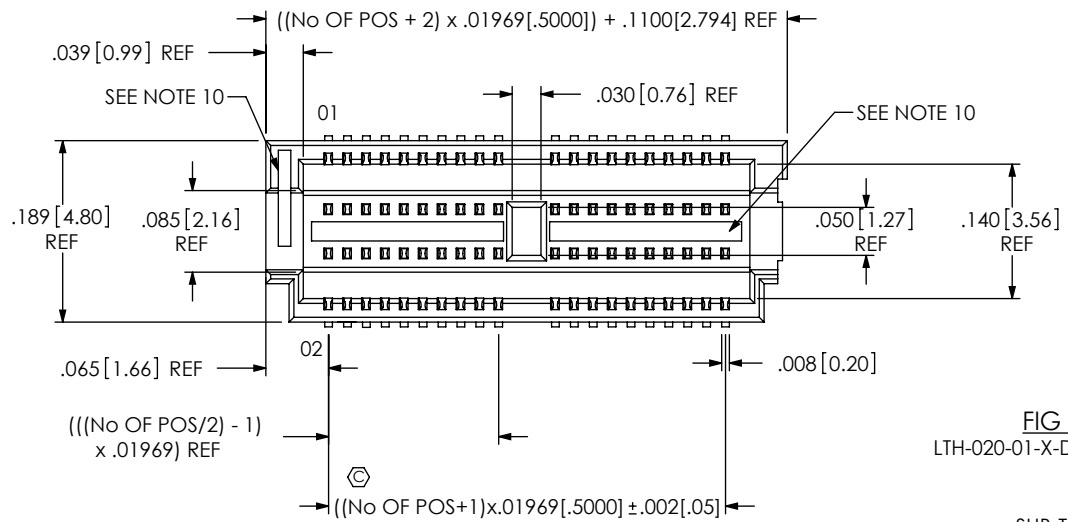


DO NOT SCALE FROM THIS PRINT



LTH-XXX-XX-X-D-A-XX

No OF POSITIONS
-010, -020, -030, -040, -050, (PER ROW)

OPTION
-TR: TAPE AND REEL
-K: POLYAMIDE FILM PAD (USE K-500-300, SEE FIG. 2)

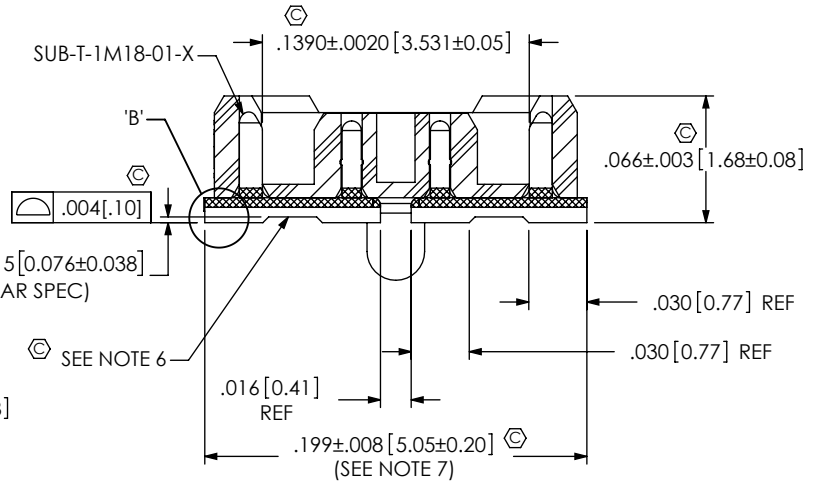
LEAD STYLE
-01: SURFACE MOUNT (USE SUB-T-1M18-01-X PIN)

PLATING SPECIFICATION
-G: 10µ" GOLD IN CONTACT AREA, 3µ" GOLD ON TAIL
-H: 30µ" HEAVY GOLD IN CONTACT AREA, 3µ" GOLD ON TAIL

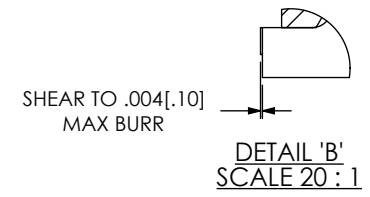
-A: ALIGNMENT PIN

ROW SPECIFICATION
-D: DOUBLE (USE LTH-XXX-01-D-A)

FIG 1
LTH-020-01-X-D-A SHOWN

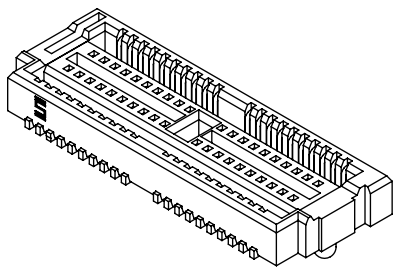


SECTION "A"-"A"
SCALE 10 : 1



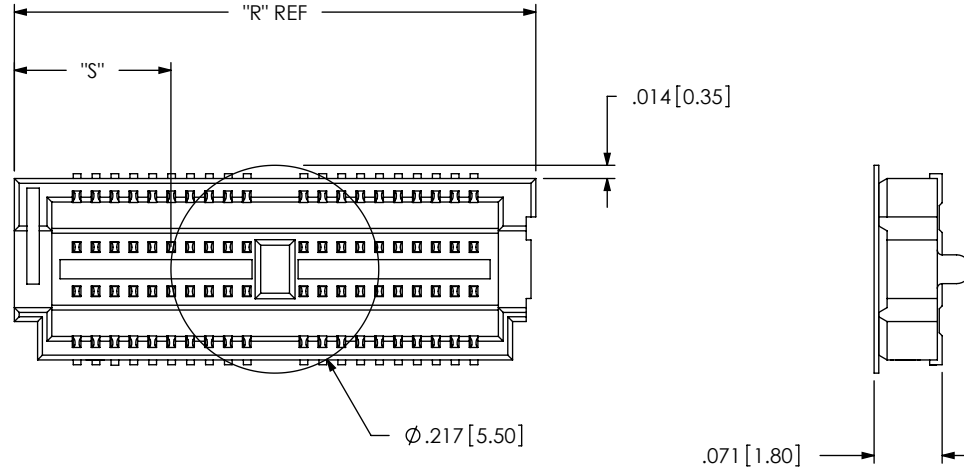
NOTES:

1. Ⓢ REPRESENTS A CRITICAL DIMENSION.
2. BURR ALLOWANCE: .001[.03] MAX.
3. MINIMUM PUSHOUT FORCE: 6 OZ MIN.
4. PARTS TO BE MOLDED TO POSITION
5. DIMENSION APPLIES TO POST SHEARING GEOMETRY, DIMENSION INCLUDES SHEAR BURR.
6. CUT IN THIS AREA MUST BE BELOW SURFACE MOUNT LEADS.
7. MAX VARIATION BETWEEN ADJACENT PINS TO BE .002[0.05] MAX.
8. NOTE DELETED.
9. NOTE DELETED.
10. VOIDS CAN BE USED AT VENDORS DISCRETION TO CONTROL WARP.

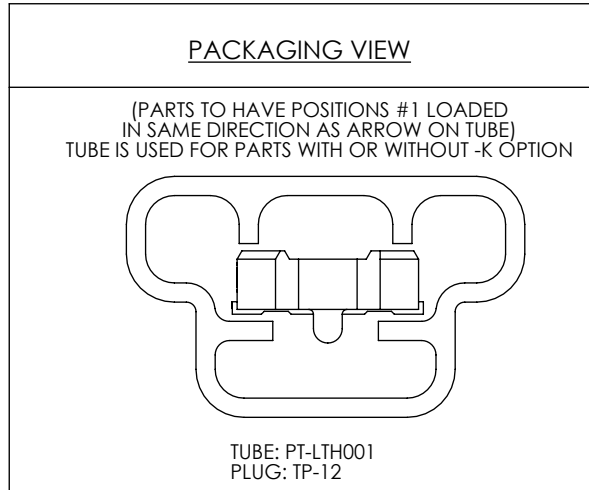


<p>UNLESS OTHERWISE SPECIFIED, DIMENSIONS ARE IN INCHES. TOLERANCES ARE:</p> <p>DECIMALS ANGLES</p> <p>.XX: ±.01[.3] 2°</p> <p>.XXX: ±.005[.13]</p> <p>.XXXX: ±.0020[.051]</p>	<p>PROPRIETARY NOTE</p> <p>THIS DOCUMENT CONTAINS CONFIDENTIAL AND PROPRIETARY INFORMATION AND ALL DESIGN, MANUFACTURING, REPRODUCTION, USE, PATENT RIGHTS AND SALES RIGHTS ARE EXPRESSLY RESERVED BY SAMTEC, INC. THIS DOCUMENT SHALL NOT BE DISCLOSED, IN WHOLE OR PART, TO ANY UNAUTHORIZED PERSON OR ENTITY NOR REPRODUCED, TRANSFERRED OR INCORPORATED IN ANY OTHER PROJECT IN ANY MANNER WITHOUT THE EXPRESS WRITTEN CONSENT OF SAMTEC, INC.</p>	<p>DESCRIPTION: .5mm LOW PROFILE TERMINAL ASSEMBLY</p>	
		<p>DWG. NO.: LTH-XXX-XX-X-D-A-XX</p>	
<p>MATERIAL: INSULATOR: BLACK LCP CONTACT: PHOS. BRONZE</p>	<p>DO NOT SCALE DRAWING SHEET SCALE: 5:1</p>	<p>BY: ERIC M 7/1/99</p>	<p>SHEET 1 OF 2</p>

FIG 2
 -K: POLYAMIDE FILM PAD
 [USE K-500-300]



NOTE: "R" = ((No OF POSITIONS + 2) x .01969[.5000]) + .1100[2.794]
 "S" = (("R" - .217[5.50]) / 2) ±.020[.51]



<p style="text-align: center;">* PROPRIETARY NOTE *</p> <p style="font-size: 8px;">THIS DOCUMENT CONTAINS CONFIDENTIAL AND PROPRIETARY INFORMATION AND ALL DESIGN, MANUFACTURING, REPRODUCTION, USE, PATENT RIGHTS AND SALES RIGHTS ARE EXPRESSLY RESERVED BY SAMTEC, INC. THIS DOCUMENT SHALL NOT BE DISCLOSED, IN WHOLE OR PART, TO ANY UNAUTHORIZED PERSON OR ENTITY NOR REPRODUCED, TRANSFERRED OR INCORPORATED IN ANY OTHER PROJECT IN ANY MANNER WITHOUT THE EXPRESS WRITTEN CONSENT OF SAMTEC, INC.</p> <p style="text-align: center;">DO NOT SCALE DRAWING</p> <p style="text-align: center;">SHEET SCALE: 5:1</p>	<div style="text-align: center;"> <p style="font-size: 8px;">520 PARK EAST BLVD, NEW ALBANY, IN 47150 PHONE: 812-944-6733 FAX: 812-948-5047 e-Mail: info@SAMTEC.com code: 55322</p> </div> <table border="1" style="width: 100%; border-collapse: collapse;"> <tr> <td style="padding: 2px;">DESCRIPTION:</td> <td style="padding: 2px;">.5mm LOW PROFILE TERMINAL ASSEMBLY</td> </tr> <tr> <td style="padding: 2px;">DWG. NO.</td> <td style="padding: 2px;">LTH-XXX-XX-X-D-A-XX</td> </tr> <tr> <td style="padding: 2px;">BY: ERIC M</td> <td style="padding: 2px;">7/1/99</td> </tr> <tr> <td colspan="2" style="text-align: right; padding: 2px;">SHEET 2 OF 2</td> </tr> </table>	DESCRIPTION:	.5mm LOW PROFILE TERMINAL ASSEMBLY	DWG. NO.	LTH-XXX-XX-X-D-A-XX	BY: ERIC M	7/1/99	SHEET 2 OF 2	
DESCRIPTION:	.5mm LOW PROFILE TERMINAL ASSEMBLY								
DWG. NO.	LTH-XXX-XX-X-D-A-XX								
BY: ERIC M	7/1/99								
SHEET 2 OF 2									