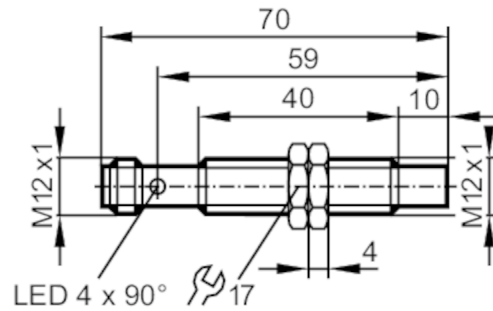


IFT245



Inductive full-metal sensor

IFK3006-BPKG/AMPI/US



Product characteristics

| | | |
|-------------------|------|------------------|
| Electrical design | | PNP |
| Output function | | normally open |
| Sensing range | [mm] | 6 |
| Housing | | threaded type |
| Dimensions | [mm] | M12 x 1 / L = 70 |

Application

| | | |
|-------------------------|-------|---|
| Special feature | | Gold-plated contacts; Increased sensing range; Full-metal housing |
| Application | | constant cleaning with aggressive cleaning agents; regular cleaning processes |
| Pressure rating | [bar] | 100 |
| Note on pressure rating | | sensing face |

Electrical data

| | | |
|-----------------------------|------|------------|
| Operating voltage | [V] | 10...36 DC |
| Current consumption | [mA] | < 25 |
| Protection class | | III |
| Reverse polarity protection | | yes |

Outputs

| | | |
|---|------|---------------|
| Electrical design | | PNP |
| Output function | | normally open |
| Max. voltage drop switching output DC | [V] | 2.5 |
| Permanent current rating of switching output DC | [mA] | 100 |
| Switching frequency DC | [Hz] | 500 |
| Short-circuit protection | | yes |
| Type of short-circuit protection | | pulsed |
| Overload protection | | yes |

IFT245



Inductive full-metal sensor

IFK3006-BPKG/AMPI/US

| Detection zone | | |
|---|---------------------------|--|
| Sensing range | [mm] | 6 |
| Real sensing range Sr | [mm] | 6 ± 10 % |
| Operating distance | [mm] | 0...4.9 |
| Increased sensing range | | yes |
| Accuracy / deviations | | |
| Correction factor | | steel: 1 / stainless steel: 1 / brass: 0.9 / aluminium: 0.75 / copper: 0.6 |
| Hysteresis | [% of Sr] | 1...20 |
| Switch point drift | [% of Sr] | -10...10 |
| Operating conditions | | |
| Ambient temperature | [°C] | 0...100 |
| Protection | | IP 65; IP 67; IP 68; IP 69K |
| Tests / approvals | | |
| EMC | EN 61000-4-2 ESD | 4 kV CD / 8 kV AD |
| | EN 61000-4-3 HF radiated | 10 V/m |
| | EN 61000-4-4 Burst | 2 kV |
| | EN 61000-4-6 HF conducted | 10 V |
| | EN 55011 emission | class B |
| Impact resistance | | 1 J |
| MTTF | [years] | 1265 |
| UL approval | Ta | 0...40 °C |
| | Enclosure type | Type 1 |
| | voltage supply | Limited Voltage/Current |
| | File number UL | E174191 |
| Mechanical data | | |
| Weight | [g] | 29.75 |
| Housing | | threaded type |
| Mounting | | non-flush mountable |
| Dimensions | [mm] | M12 x 1 / L = 70 |
| Thread designation | | M12 x 1 |
| Materials | | housing: stainless steel (1.4404 / 316L); sensing face: stainless steel (1.4404 / 316L); LED window: PEI; lock nuts: stainless steel (1.4404 / 316L) |
| Full-metal housing | | yes |
| Displays / operating elements | | |
| Display | switching status | 4 x 90° LED, yellow |
| Accessories | | |
| Items supplied | | lock nuts: 2 |
| Remarks | | |
| Pack quantity | | 1 pcs. |
| Electrical connection - plug | | |
| Connector: 1 x M12; Contacts: gold-plated | | |

IFT245



Inductive full-metal sensor

IFK3006-BPKG/AMPI/US



Connection



Diagrams and graphs

Installation

