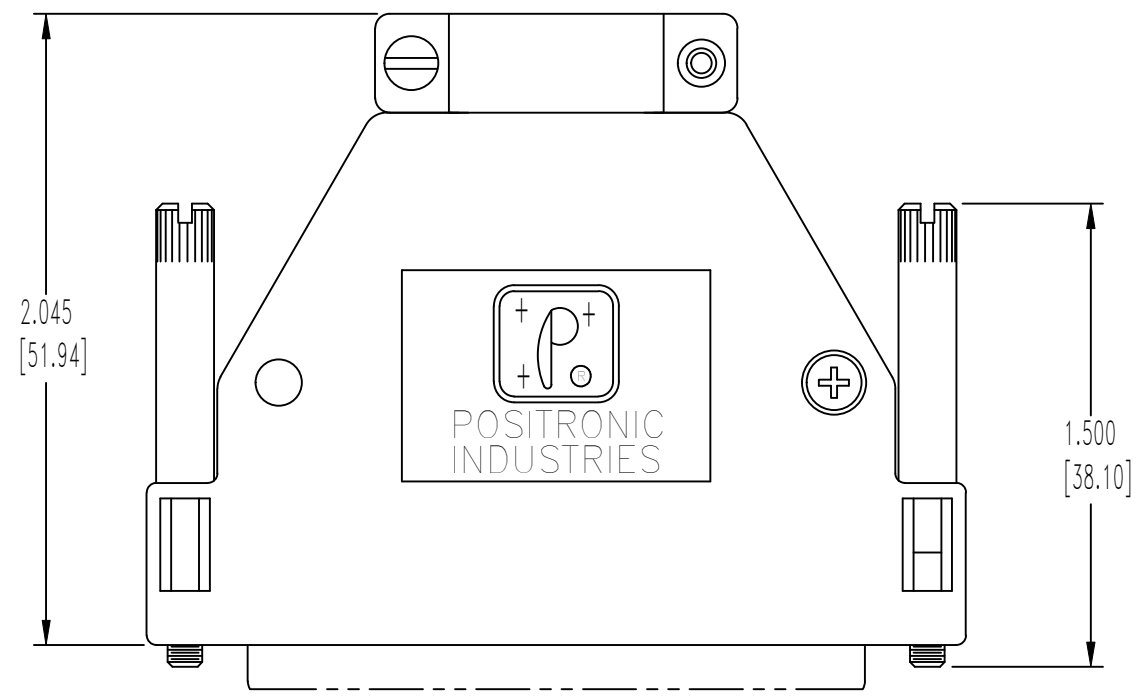
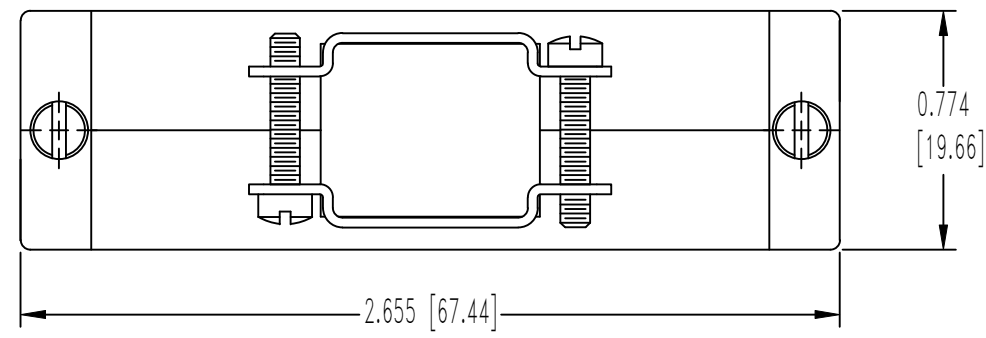


SK12853


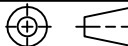
THIS DRAWING CONTAINS INFORMATION PROPRIETARY TO POSITRONIC AND ITS SUBSIDIARIES. POSITRONIC BELIEVES THE DATA ON THIS DRAWING TO BE RELIABLE. SINCE THE TECHNICAL INFORMATION IS GIVEN FREE OF CHARGE, THE USER EMPLOYS SUCH INFORMATION AT HIS OWN DISCRETION AND RISK. POSITRONIC ASSUMES NO RESPONSIBILITY FOR RESULTS OBTAINED OR DAMAGES INCURRED FROM USE OF SUCH INFORMATION IN WHOLE OR IN PART.

DATE	REV	REVISION RECORD	APP	DR	CK
10-31-11	NC	ECO 34642	COLE	BE	COLE
7-15-13	A	ECO 39836	COLE	BE	COLE



NOTES:

- MATERIAL AND FINISHES:
 HOOD: COMPOSITE, CONDUCTIVE VOLUME RESISTIVITY [1.0 OHM-CM MAXIMUM].
 JACKSCREWS: STEEL, ZINC PLATE WITH CHROMATE SEAL.
 CABLE CLAMPS: STEEL, NICKEL PLATE.
 SCREWS: STEEL OR BRASS, ZINC PLATE WITH CHROMATE SEAL.
- DETAILED PRODUCT, ELECTRICAL, AND MECHANICAL INFORMATION IS AVAILABLE IN THE LATEST D-SUBMINIATURE ACCESSORY PRODUCT PUBLICATION. VISIT CONNECTPOSITRONIC.COM/PRODUCTS/58/D-SUBMINIATUREACCESSORIES OR CONNECTPOSITRONIC.COM.
- ACCESSORY IS COMPLIANT TO THE CURRENT ROHS DIRECTIVE.
- DIMENSIONS ARE IN INCHES [MILLIMETERS].

 POSITRONIC INDUSTRIES INC. www.connectpositronic.com		FSCM 28198	
 DECIMAL TOL. ± 0.015 [0.38]	D SERIES	SCALE N.T.S.	DRAWN BY B. EVANS APPROVED BY COLE
TITLE D50000Y00/AA			
ANGULAR TOL. ± 5°	DATE 10-31-11	DRAWING NUMBER SK12853	REV. A