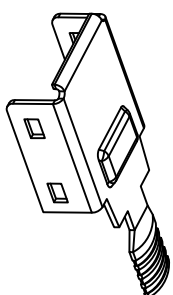
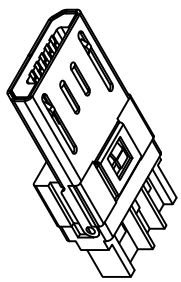
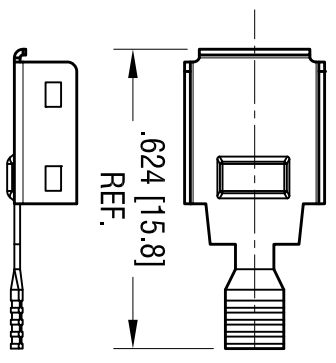


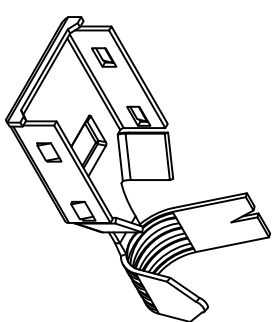
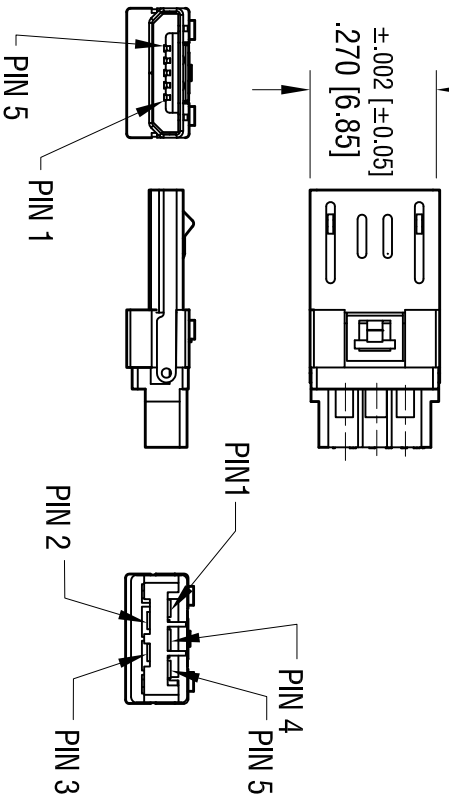
DATE	DESCRIPTION	REV.
2.25.10	CHANGE AS PER ECN 10-017	A
6.01.11	CHANGE AS PER ECN 11-077	B
11.05.12	CHANGE AS PER ECN 12-155	C
2.20.13	CHANGE AS PER ECN 13-019 ADD PIN NUMERATION	D
10.31.19	CHANGE AS PER ECN 19-082	E



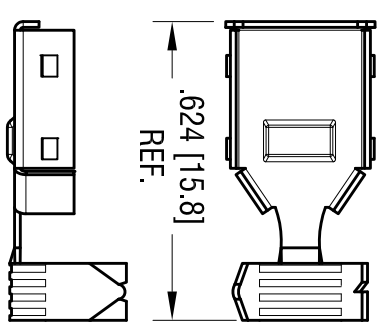
Top Shell



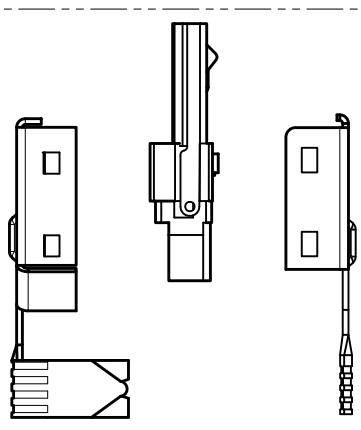
Insulator Body



Bottom Shell



Supplied Unassembled



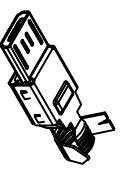
**Notes:**

**Material:**

- Shell: Steel, Nickel Plate.
- Insulator: PBT, UL 94-V0 (Color Black)
- Contacts: Phosphor Bronze
- Finish:
- Contact Area: Gold Plate over Nickel Plate
- on Solder Tail: Tin Plate over Nickel Plate

**Electrical Specifications**

- Rated Voltage: 30V AC (rms)
- Contact Current Rating: 1.5 Amp
- Contact Resistance: 30 milliohms Max.
- Dielectric Withstanding: 100V AC
- Operating Temperature: -30°C to 85°C



ACTUAL SIZE

THIS DOCUMENT IS THE PROPERTY OF KEYSTONE ELECTRONICS CORP. AND SHALL NOT BE REPRODUCED, DISTRIBUTED OR USED AS A BASIS FOR MANUFACTURE WITHOUT PRIOR WRITTEN PERMISSION FROM KEYSTONE ELECTRONICS CORP.

**KEYSTONE ELECTRONICS CORP.**

www.keystone.com • NEW HYDE PARK, NY 11040 • Tel (516) 328-7500

PART NAME

MICRO UCB PLUG

MATERIAL

AS NOTED

FINISH

AS NOTED

TOLERANCES

INCH [MM]  
DECIMAL ± .010 [± 0.25]  
ANGULAR ± 1°

CODE

C

DWG NO.

941

DRN BY

NT

DATE

10.31.19

APP'D

RH

SCALE

2.5X