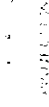
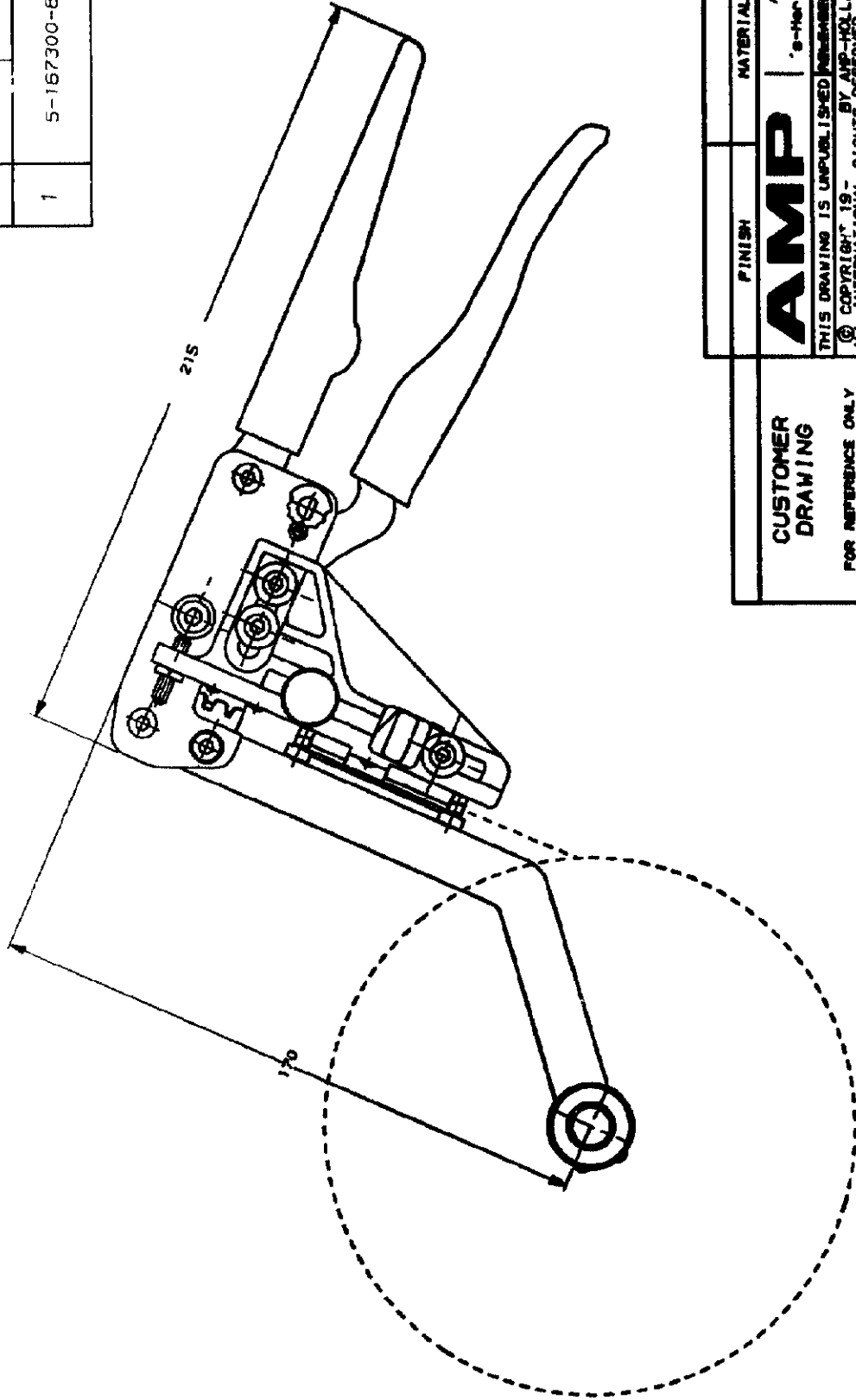


100% METRIC  
DIMENSIONS IN mm

METRIC



CRIMP NEST	REEL PN	WIRE SIZE
		mm <sup>2</sup> AWG
1	5-167300-8	0,2-0,56 24-20



CUSTOMER DRAWING

FOR REFERENCE ONLY  
WILL NOT BE UPDATED

DR. P. DEJ. JONN	DATE 10-3-85
CHK. R. VOS	DATE
APP. L. V. ROBERT	DATE

WIRE RANGE	NAME
INSUL. RANGE	REELLED TOOL
SIZE A3	FOR MOD-IV
SHEET 1 OF 1	DRG. No. C-734204

REV. DATE	REV. LTR.
D M Y	
10 3 85	0

FINISH MATERIAL PARTNUMBER

**AMP**

AMP-HOLLAND B. V.  
's-Hertogenbosch, The Netherlands.

THIS DRAWING IS UNPUBLISHED INFORMATION FOR PUBLICATION  
© COPYRIGHT 1985 BY AMP-HOLLAND B. V.  
ALL INTERNATIONAL RIGHTS RESERVED  
AMP PRODUCTS MAY BE COVERED BY U.S. AND FOREIGN PATENTS AND/OR PATENTS PENDING.

734204-1

8

7

6

5

4

3

2

1