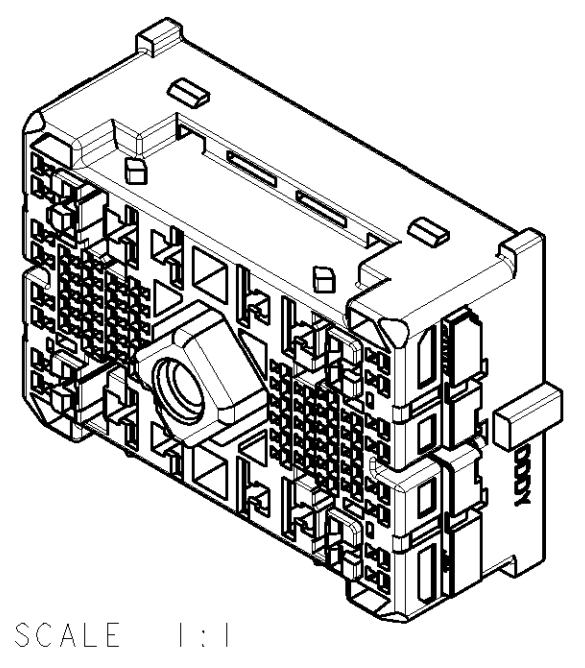
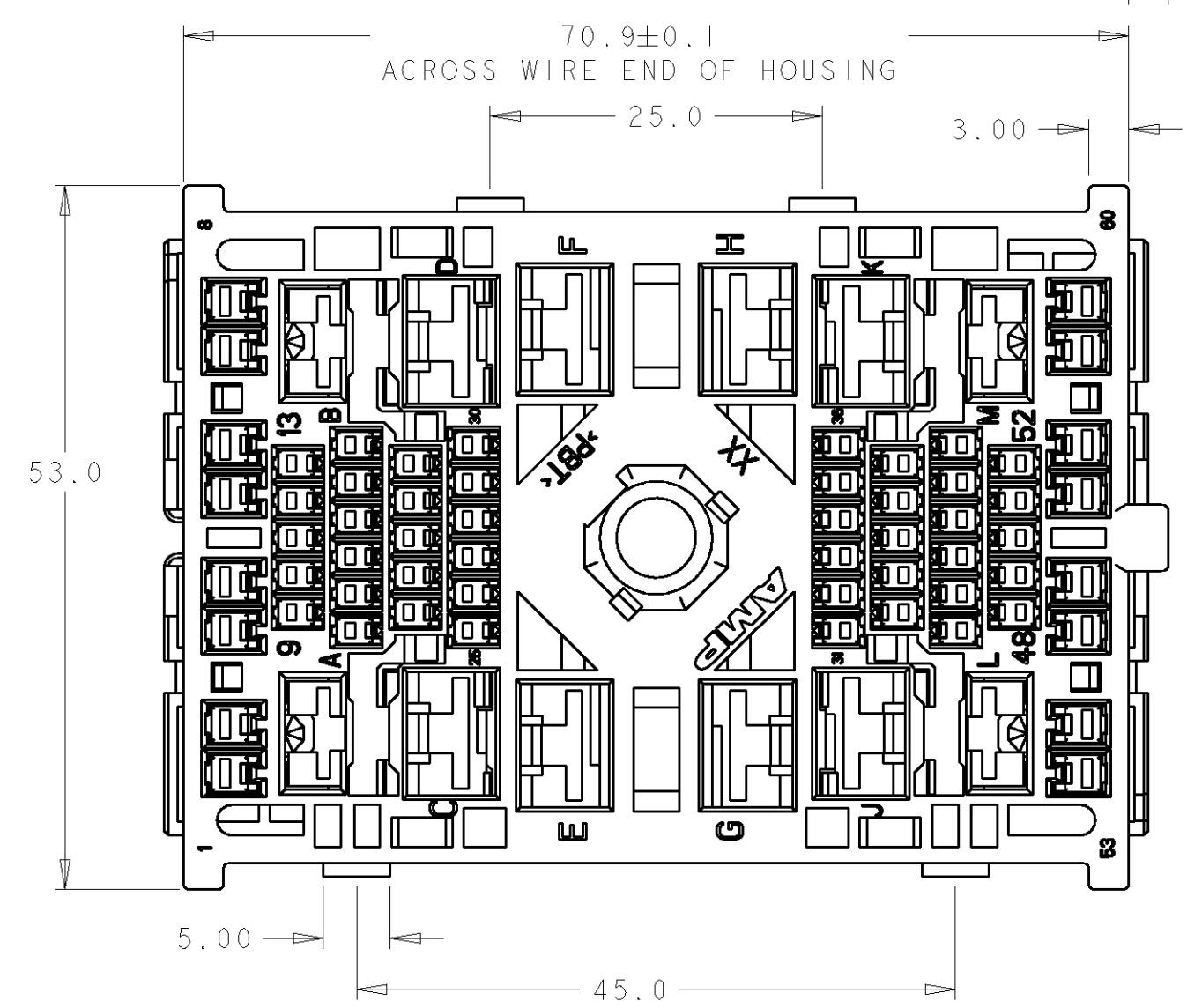
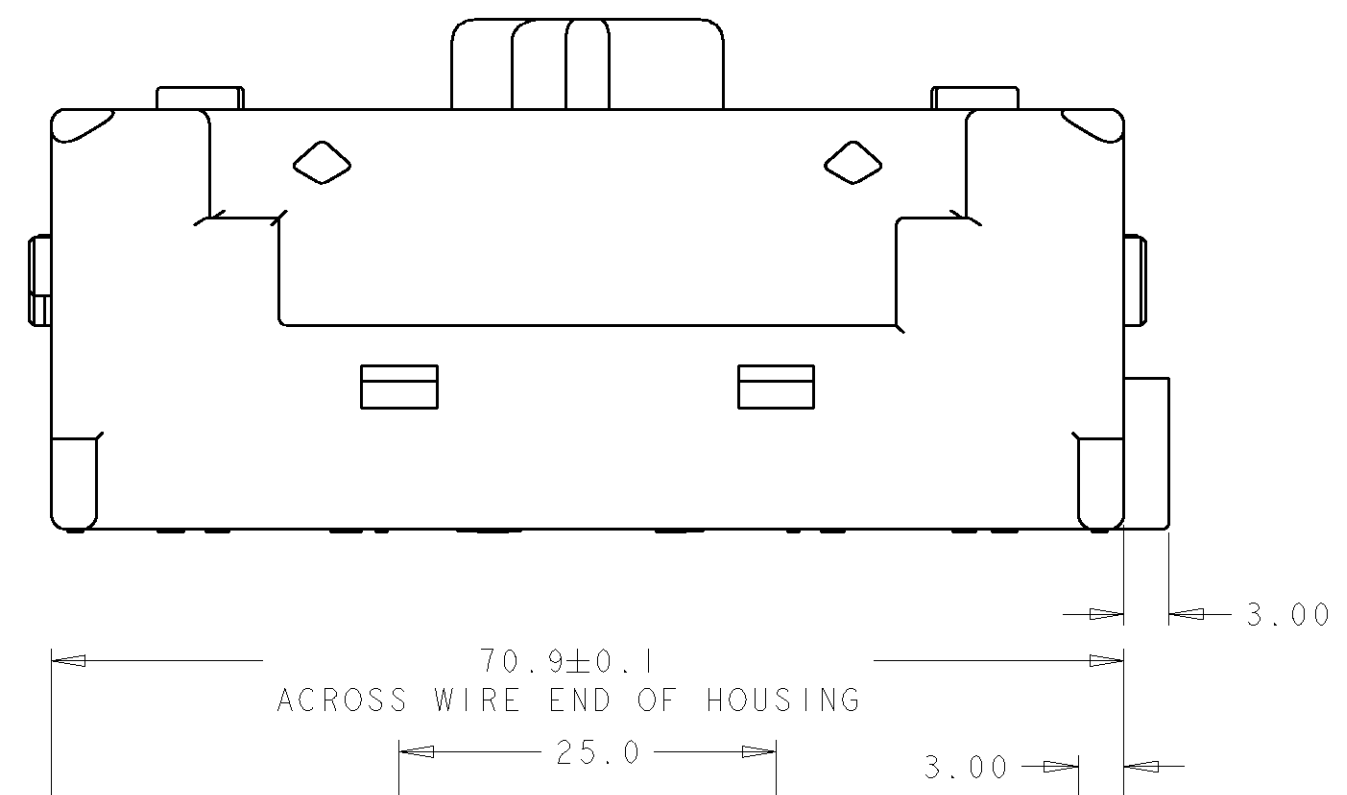
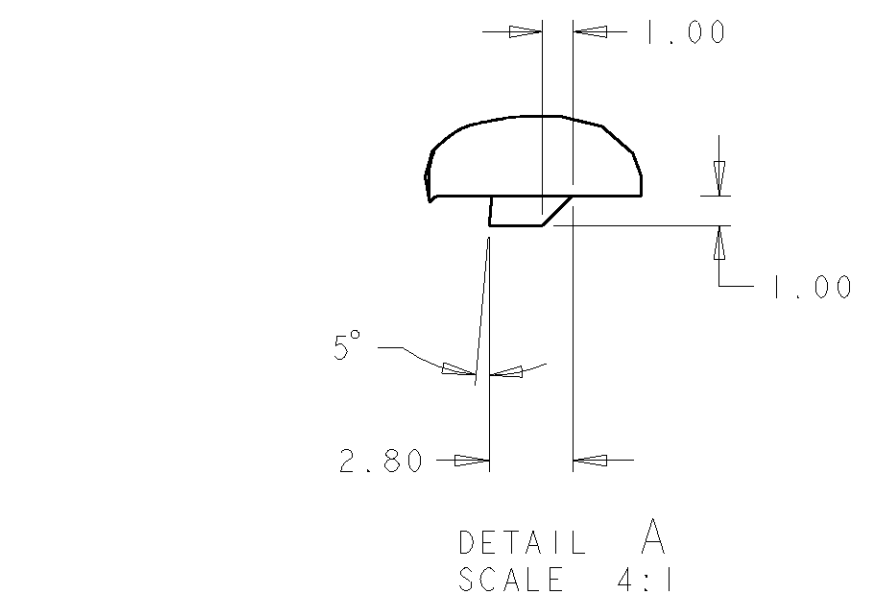
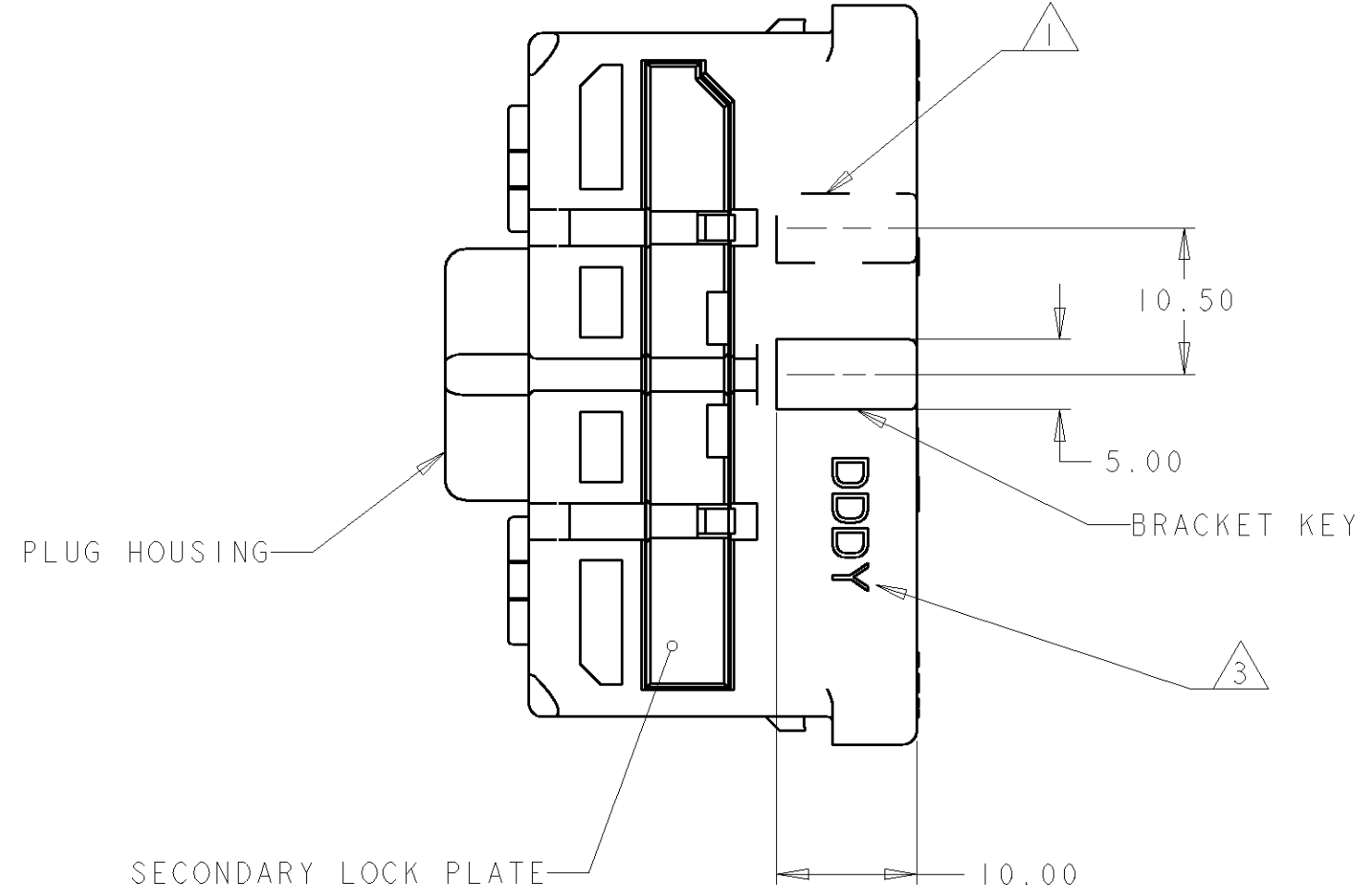
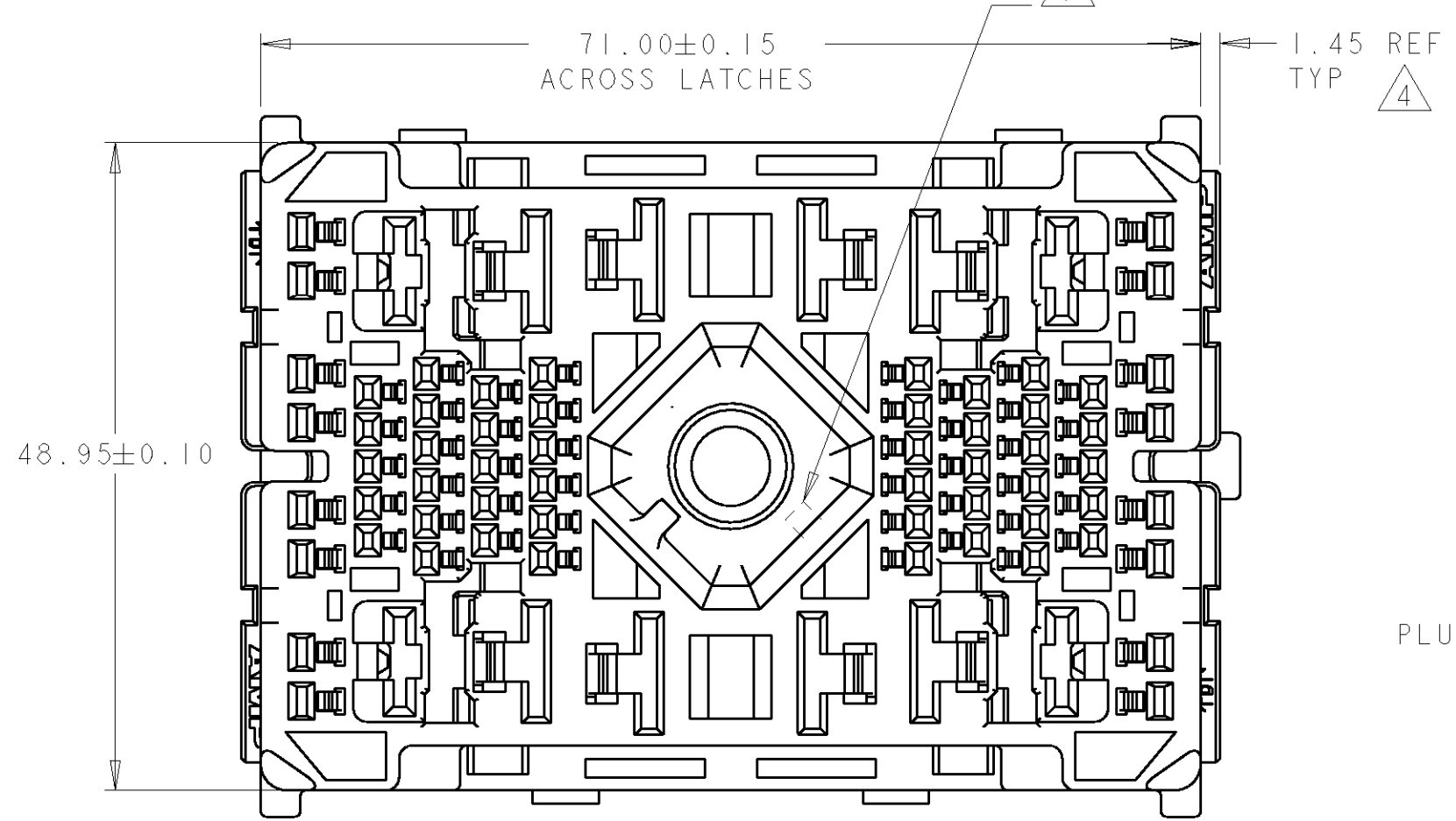
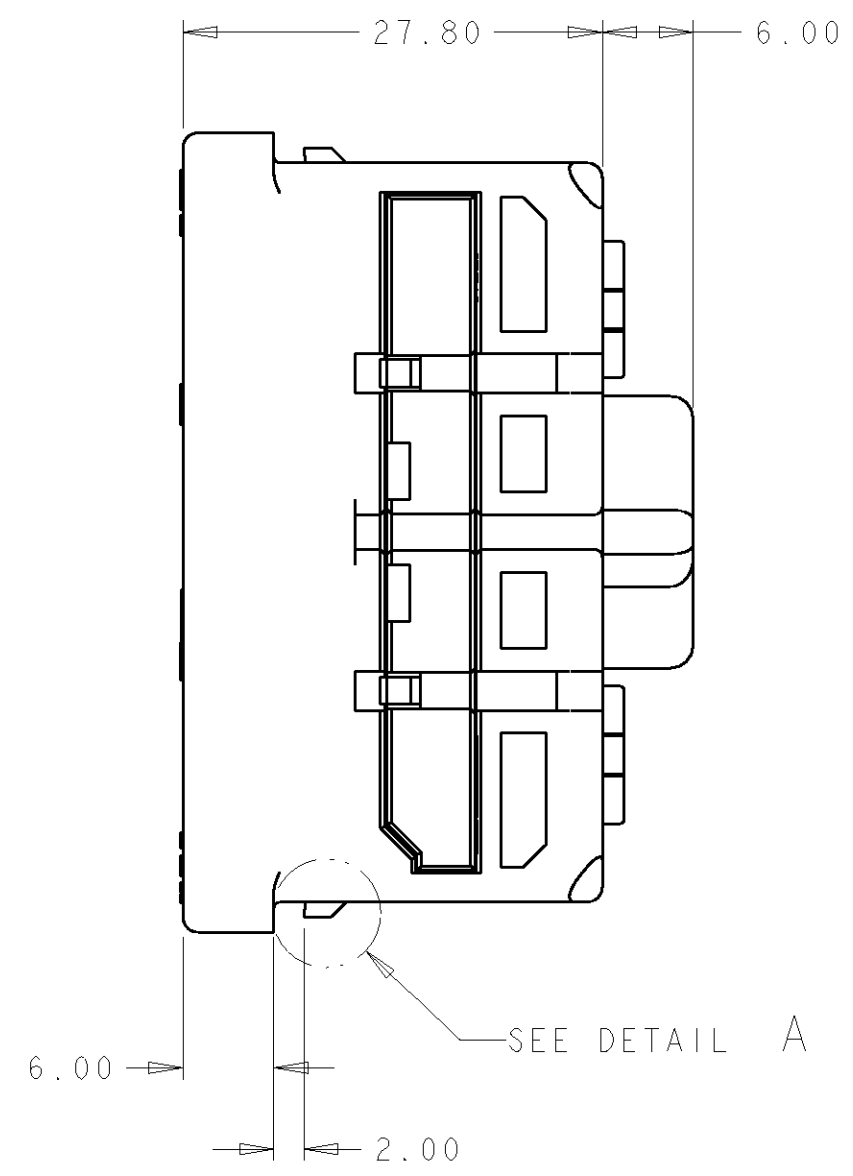


THIS DRAWING IS UNPUBLISHED. RELEASED FOR PUBLICATION .19  
 © COPYRIGHT 19 BY AMP INCORPORATED. ALL RIGHTS RESERVED.

LOC		DIST		REVISIONS			
P	LTR	DESCRIPTION	DATE	DWN	APVD		
	C	REV PER ECN 0K80-0138-00	20JUN2000	JRB	GEM		



- 1 POSITION OF BRACKET KEY & MATING KEYWAY FOR -2
- 2 POLYESTER PBT, COLOR PER TABLE BELOW
- 3 DATE CODE (3 DIGIT JULIAN DAY AND LAST DIGIT OF THE YEAR) TO BE PERMANENTLY APPLIED TO CONNECTOR, IN APPROX AREA SHOWN, ON EITHER END
- 4 SECONDARY LOCK PLATES ARE LATCHED POSITIVELY TO THE HOUSING IN THE STAGED POSITION, AS SHOWN.

▲	BLACK	638007-2
AS SHOWN	GREY	638007-1
KEYING	COLOR	PART NO.

THIS DRAWING IS A CONTROLLED DOCUMENT FOR AMP INCORPORATED. IT IS SUBJECT TO CHANGE AND THE CONTROLLING ENGINEERING ORGANIZATION SHOULD BE CONTACTED FOR THE LATEST REVISION.		DWN RUSTY WORTHINGTON 10/7/97	AMP Incorporated Harrisburg, PA 17105-3608
DIMENSIONS: mm		CHK M. SHORE 10/7/97	
TOLERANCES UNLESS OTHERWISE SPECIFIED: 0 PLC ±.2 1 PLC ±.1 2 PLC ±.1 3 PLC ±.1 4 PLC ±.1 ANGLES ± FINISH -		APVD MARK SHORE 10/7/97	NAME PLUG ASSEMBLY, 72 POSITION SELF ALIGNING INTER CONNECT
MATERIAL ▲2		PRODUCT SPEC - APPLICATION SPEC - WEIGHT -	SIZE A2
		CUSTOMER DRAWING	CAGE CODE 00779
			DRAWING NO. 638007
			SCALE 2:1 SHEET 1 OF 1 REV C