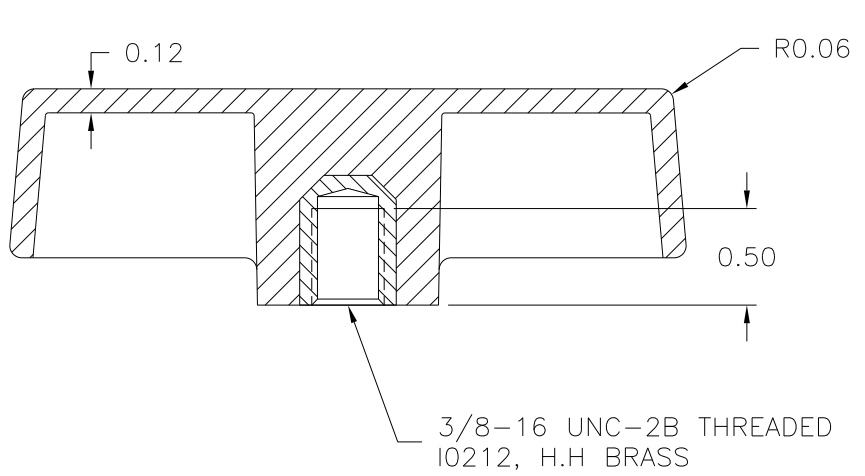
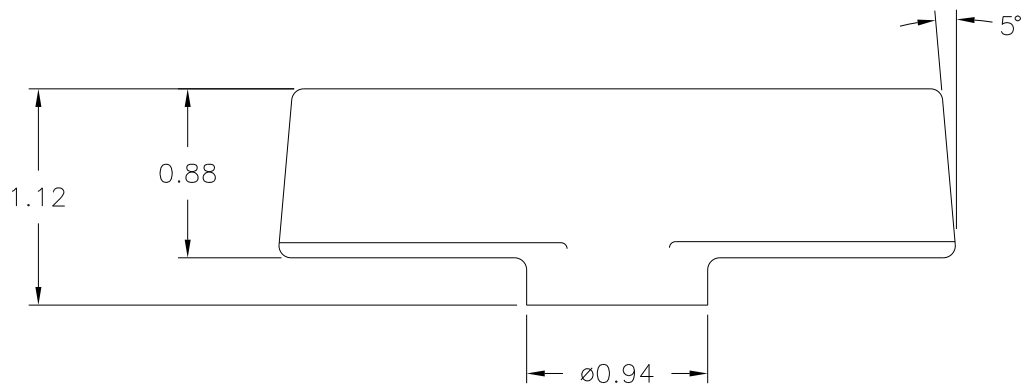
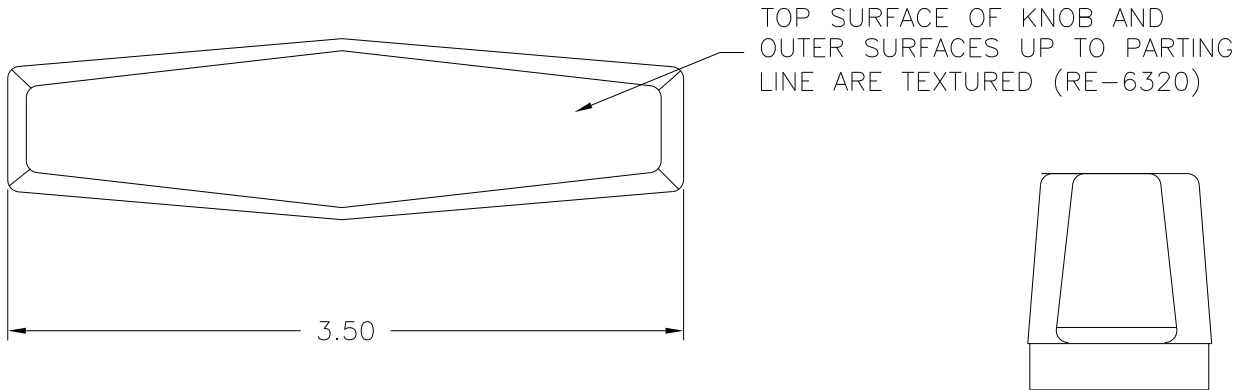


PART NAME: HANDLE SCALE: 1:1 DATE: 9/12/85 DR. BY HD
 THIS DRAWING IS THE PROPERTY OF DAVIES MOLDING COMPANY, IS SUBMITTED SOLELY AS A DESIGN OR ENGINEERING PROJECT.
 WE ACCEPT NO RESPONSIBILITY WHATSOEVER FOR THE PRACTICAL APPLICATION OF THE PIECES MADE TO THIS DESIGN.

DAVIES MOLDING DESIGNERS & MANUFACTURERS OF KNOBS, HANDLES, CASES & CUSTOM PLASTIC COMPONENTS

P/N	3094-B
M NO.	27
CAVITY	3094
CORE	3094
SLEEVE	3094
BUSHING	3094-A
PIN	3094-B
INSERT	I0212



3/8-16 UNC-2B THREADED I0212, H.H. BRASS

MATERIAL: POLYPROPYLENE (CLD) (B)
 COLOR: BLACK

TOLERANCES: UNLESS OTHERWISE SPECIFIED	DO NOT SCALE DRAWING	B	ADDED MAT. CODE	DS	1/9/07
DECIMALS: X.XXX ± .005 X.XX ± .015	MM: X.XX ± 0.15MM X.X ± 0.4MM	A	WAS 3094-A	LS	7/17/03
FRACTIONS ± 1/64	ANG. ± 1°	-	REDRAWN	TL	11/11/99
CHANGES					