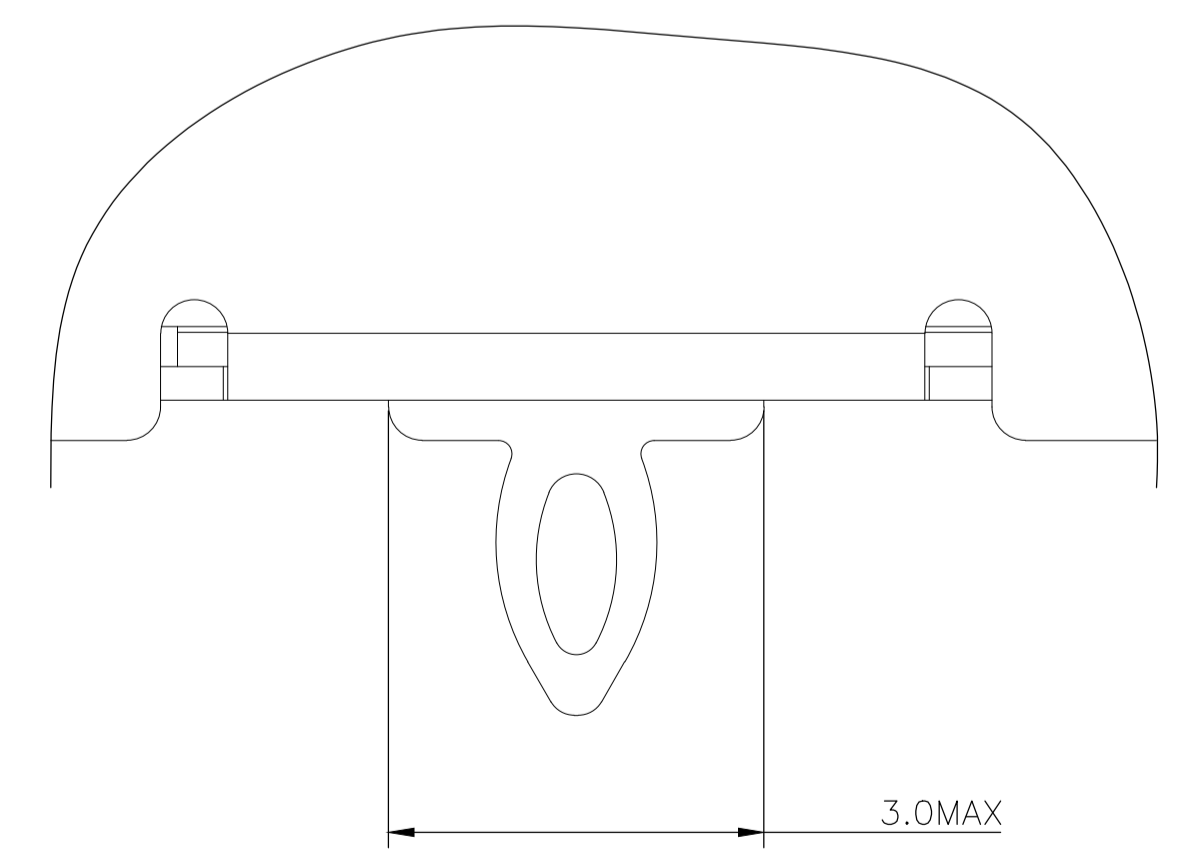
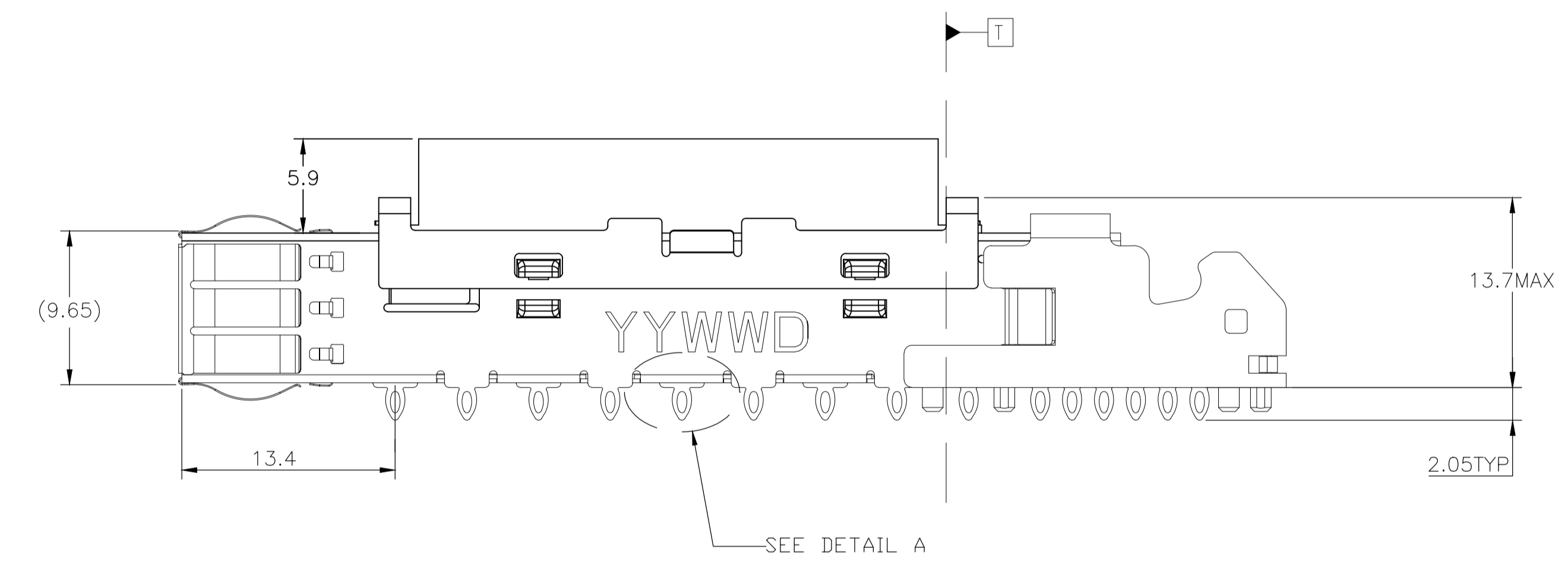
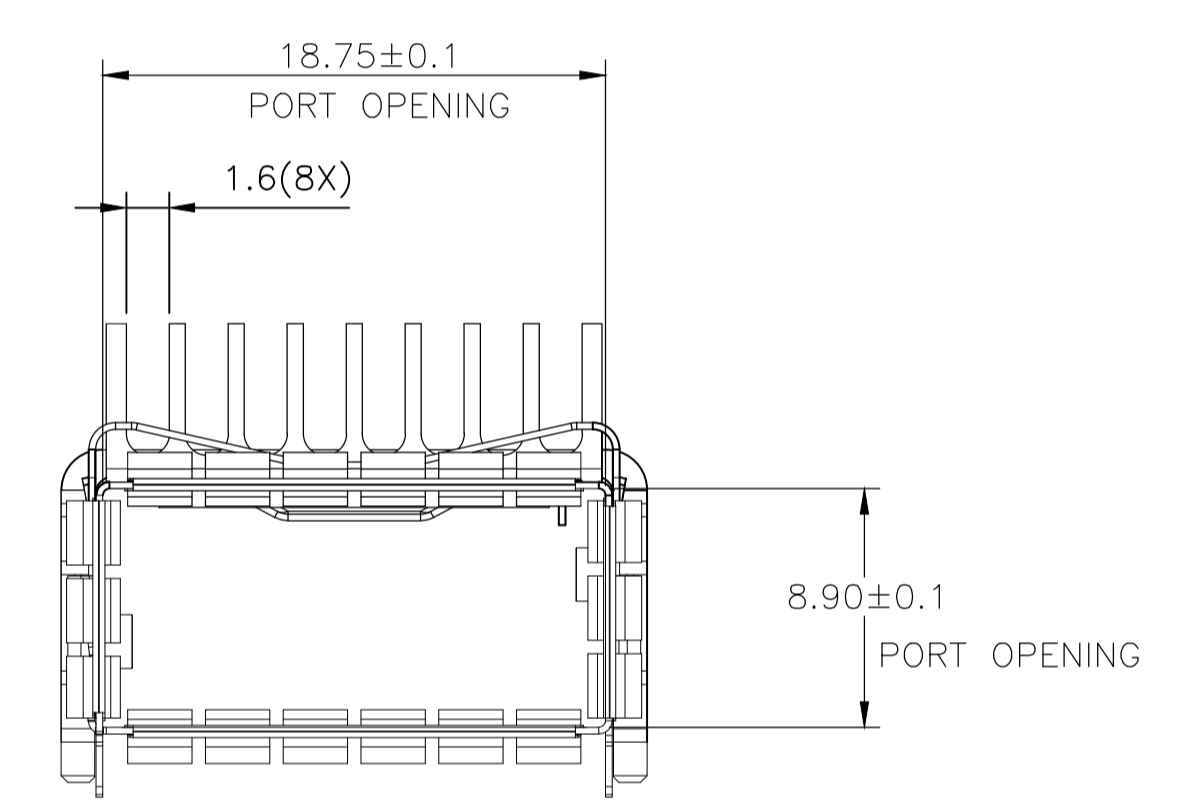
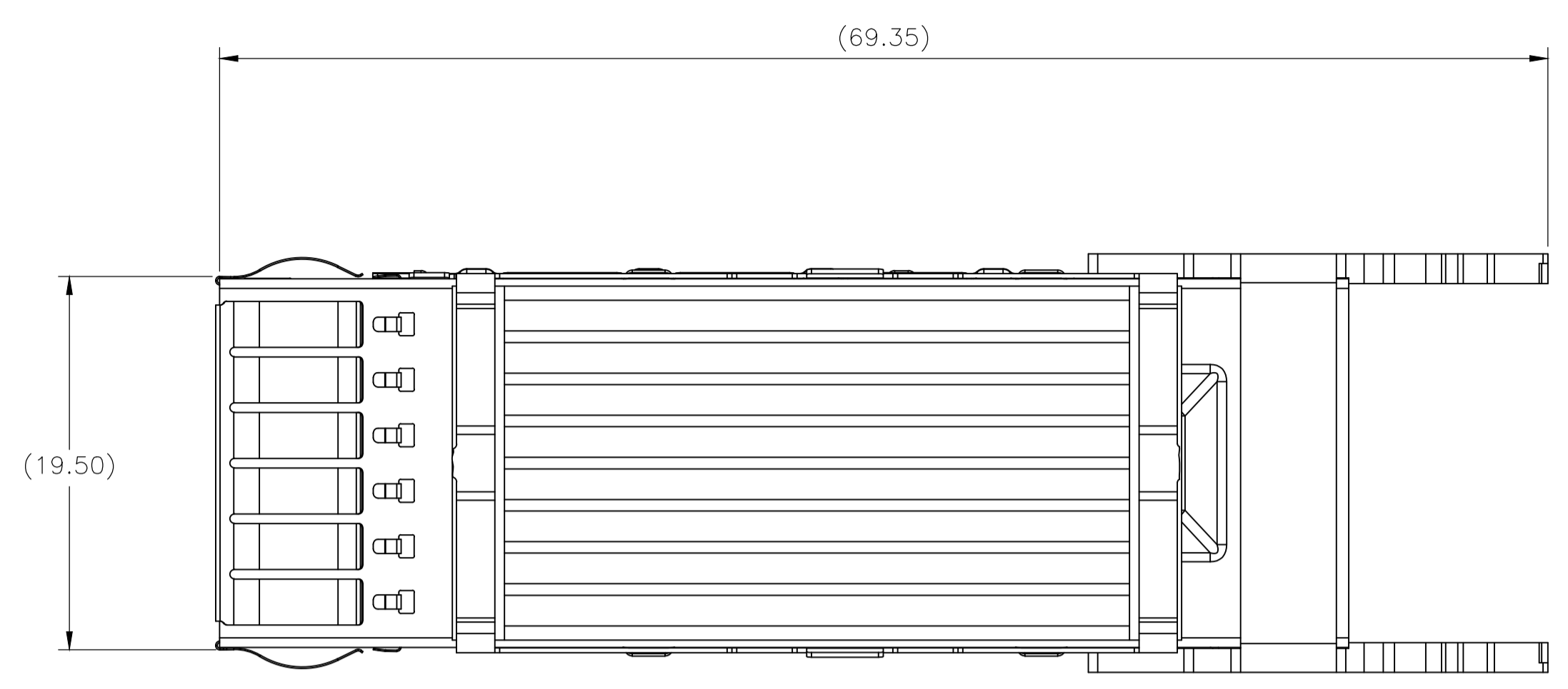


REVISIONS				
P	LTR	DESCRIPTION	DATE	APPV
1		SEE SHEET 1	-	-

- MATERIAL:
 CAGE MATERIAL : 0.25 THICK NICKEL SILVER,
 CRADLE MATERIAL: PC UL 94 V-0;
 SPRING MATERIAL: COPPER ALLOY
 HEAT SINK MATERIAL: ALUMINUM
 CLIP MATERIAL: STAINLESS STEEL
- FINISH:
 SPRING: NICKEL PLATING
 HEAT SINK: BLACK ANODIZE
- △ DIMENSION APPLIES WITH MODULE INSTALLED IN THE CAGE TO TOP OF HEAT SINK.
- △ REFERENCE APPLICATION SPEC 114-32023 FOR RECOMMENDED DRILL HOLE DIAMETER AND PLATING THICKNESS.
- △ DATUM AND BASIC DIMENSIONS ESTABLISHED BY CUSTOMERS.
- MINIMUM PC BOARD THICKNESS : SINGLES SIDED: 1.57 MIN
 DOUBLE SIDED: 2.20 MIN
- △ DATUM A IS TOP SURFACE OF THE HOST BOARD.
- △ DATE CODE (YYWWD) MARKED APPROXIMATELY AS SHOWN
- MATES WITH QSFP28 MSA COMPATIBLE TRANSCEIVER.

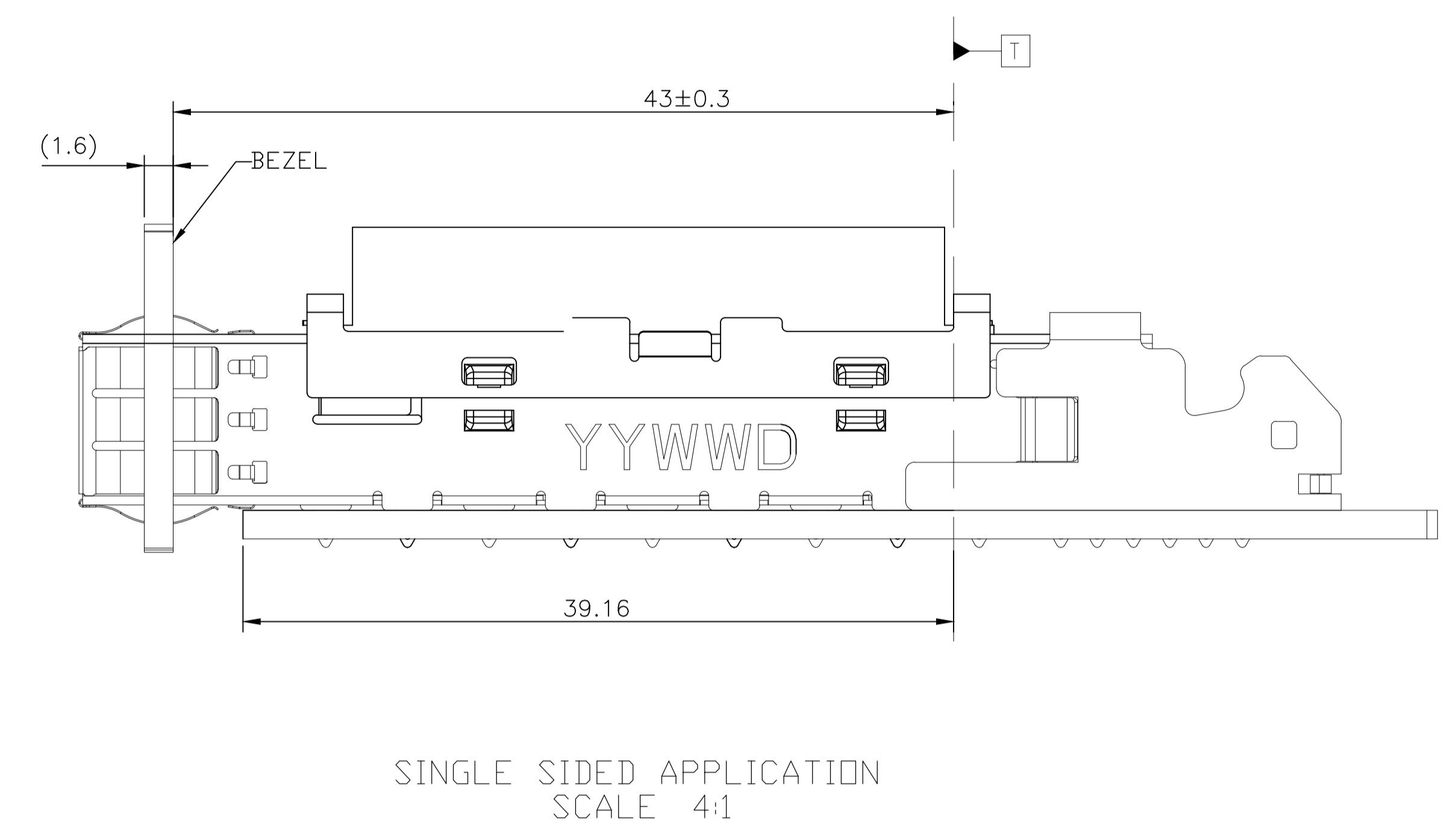
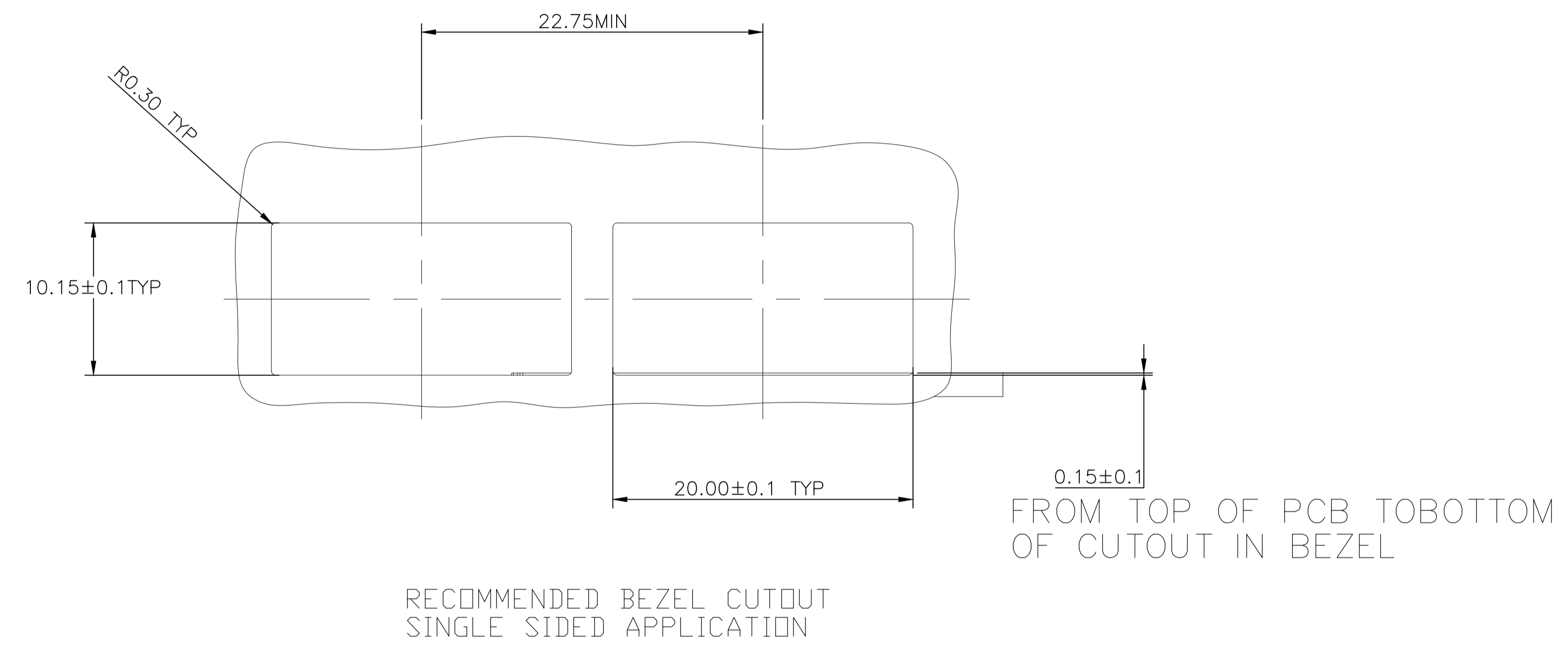


DETAIL A
 SCAEL 20:1

2366599-1
 TE P/N

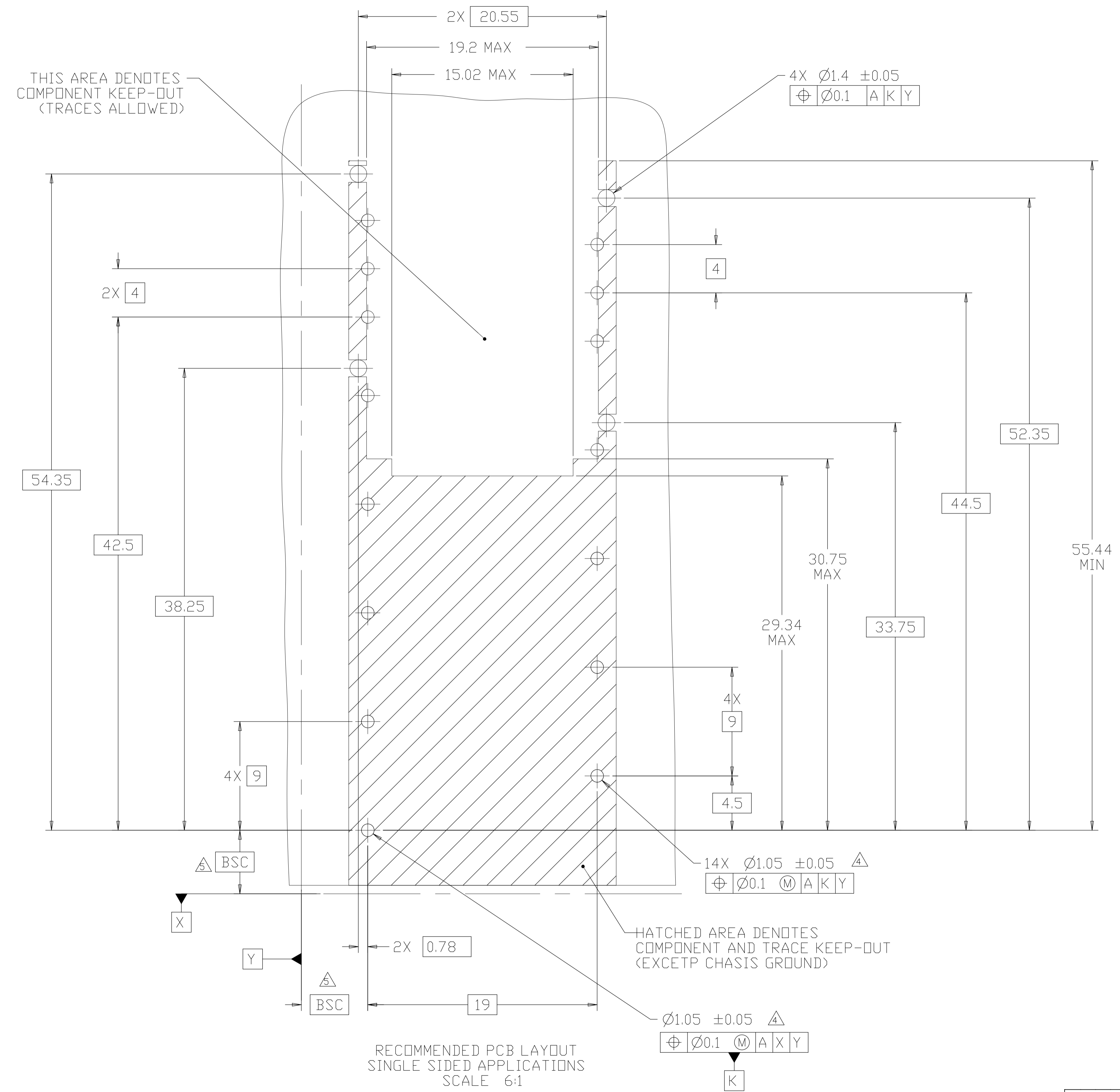
THIS DRAWING IS A CONTROLLED DOCUMENT.		DIMENSIONS: mm TOLERANCES UNLESS OTHERWISE SPECIFIED: 0 PLC ± - 1 PLC ± - 2 PLC ± - 3 PLC ± - 4 PLC ± - ANGLES ± -		THIS DRAWING IS A CONTROLLED DOCUMENT. DWG: GARNETT.WU CHK: DAVID.ZHANG APVD: DAVID.ZHANG NAME: DAVID.ZHANG DATE: 8NOV2019 PRODUCT SPEC: APPLICATION SPEC SIZE: A1 CAGE CODE: 00779 DRAWING NO: 2366599 WEIGHT: 0 CUSTOMER DRAWING		DTN: 8NOV2019 GARNETT.WU 8NOV2019 DAVID.ZHANG 8NOV2019 DAVID.ZHANG 8NOV2019 NAME: DAVID.ZHANG DATE: 8NOV2019 PRODUCT SPEC: APPLICATION SPEC SIZE: A1 CAGE CODE: 00779 DRAWING NO: 2366599 WEIGHT: 0 CUSTOMER DRAWING		TE Connectivity CAGE ASSEMBLY, QSFP OTB WITH HEAT SINK AND CLIP SCALE: 4:1 SHEET: 1 OF 3 REV: 1	
--	--	---	--	---	--	--	--	---	--

REVISIONS					
P	LTR	DESCRIPTION	DATE	DMN	APVO
-	-	SEE SHEET 1	-	-	-



THIS DRAWING IS A CONTROLLED DOCUMENT.		DMN GARNETT WU BDEC2019	TE Connectivity	
DIMENSIONS: mm		CHK DAVID ZHANG BDEC2019		
TOLERANCES UNLESS OTHERWISE SPECIFIED: 0 PLC ± - 1 PLC ± - 2 PLC ± - 3 PLC ± - 4 PLC ± - ANGLES ± -		APVO DAVID ZHANG BDEC2019	NAME CAGE ASSEMBLY, QSFP OTB WITH HEAT SINK AND CLIP	
MATERIAL		FINISH	APPLICATION SPEC	RESTRICTED TO
WEIGHT		0	SIZE A1	CAGE CODE 00779
CUSTOMER DRAWING		SCALE 4:1	DRAWING NO 2366599	SHEET 2 OF 3
				REV 1

REVISIONS				
P	LTR	DESCRIPTION	DATE	APPV
-	-	SEE SHEET 1	-	-



THIS DRAWING IS A CONTROLLED DOCUMENT.		DWG: GARNETT WU	BDEC2019	STE TE Connectivity
DIMENSIONS: mm		CHK: DAVID ZHANG	BDEC2019	
TOLERANCES UNLESS OTHERWISE SPECIFIED:		APPV: DAVID ZHANG	BDEC2019	NAME: CAGE ASSEMBLY, QSFP OTB WITH HEAT SINK AND CLIP
0 PLC	±	PRODUCT SPEC		APPLICATION SPEC
1 PLC	±	APPLICATION SPEC		RESTRICTED TO
2 PLC	±	APPLICATION SPEC		SIZE: A1
3 PLC	±	APPLICATION SPEC		CAGE CODE: 00779
4 PLC	±	APPLICATION SPEC		DRAWING NO: 2366599
ANGLES	±	APPLICATION SPEC		WEIGHT: 0
MATERIAL: -		FINISH: -		SCALE: 4:1
CUSTOMER DRAWING		SHEET 3 OF 3		REV 1