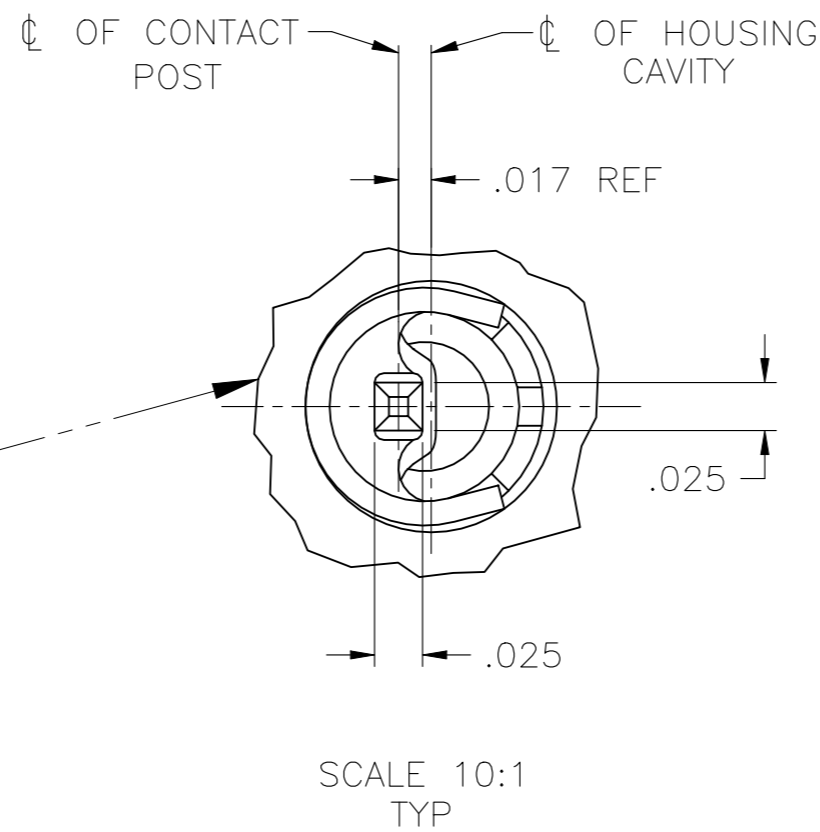
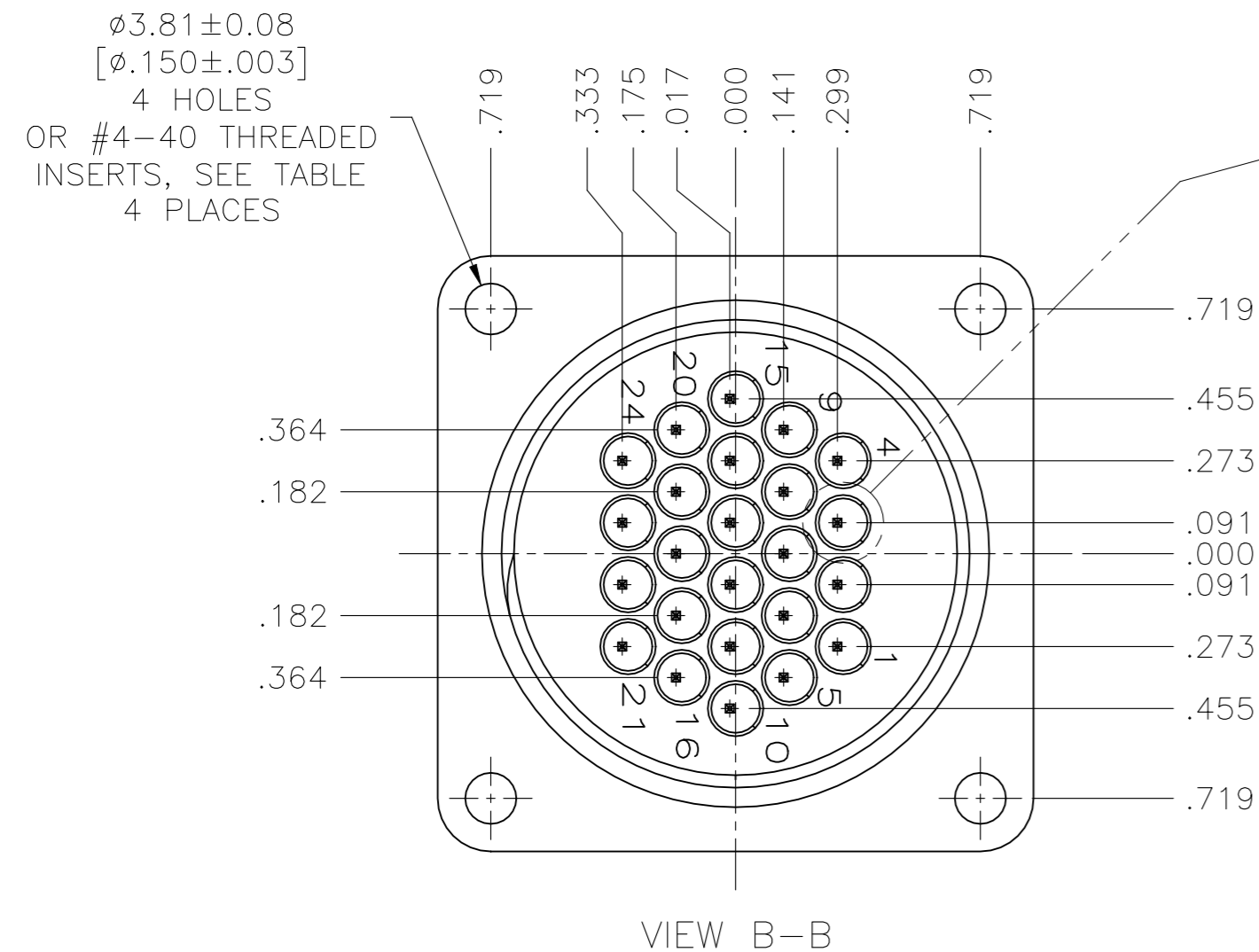
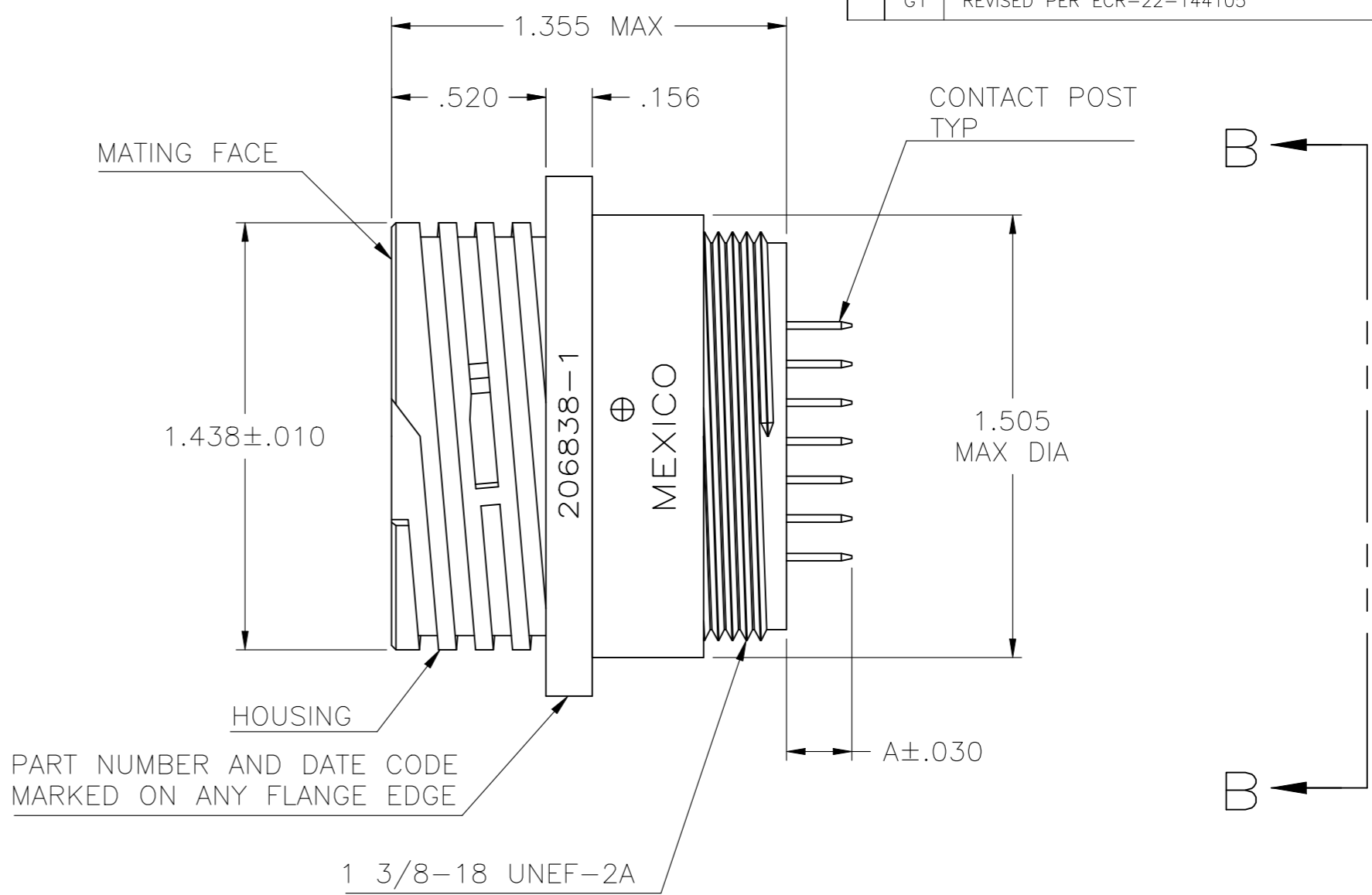
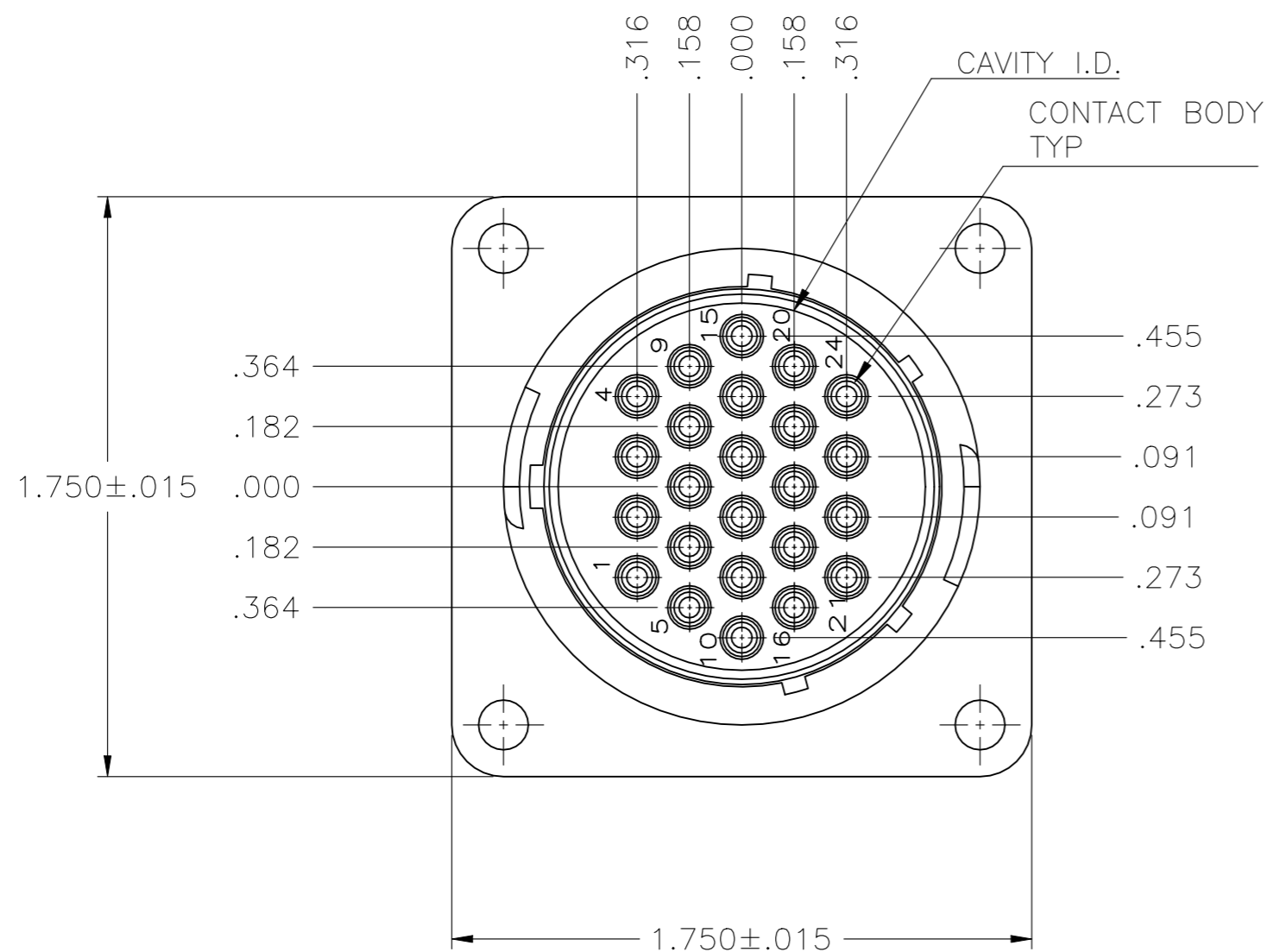


THIS DRAWING IS UNPUBLISHED. RELEASED FOR PUBLICATION  
 © COPYRIGHT - By - ALL RIGHTS RESERVED.

REVISIONS				
P	LTR	DESCRIPTION	DATE	APVD
G1		REVISED PER ECR-22-144105	26JUN2022	RK MZ



- 1 MATERIALS:  
 HOUSING: UL 94V-0, BLACK  
 CONTACT SPRING: STAINLESS STEEL  
 CONTACT BODY AND POST: BRASS  
 4-40 THREADED INSERT: BRASS
- 2 CONTACT BODY: .000030 MIN GOLD FOR A LENGTH OF .200 MIN FROM MATING END. GOLD FLASH ON CONTACT
- 3 CONTACT POST: .000100 MIN TIN-LEAD OVER .000050 MIN NICKEL.
- 4 CONTACT POST: .000100 MIN TIN OVER .000050 MIN NICKEL.
- 5 RECOMMENDED PC BOARD HOLE SIZE FOR CONTACT POST = .050 ± 0.003 DIA.

DIM A	THREADED INSERTS	POST FINISH	PART NUMBER
.220	YES	4	213780-6
.267	YES	4	213780-5
.130	YES	4	213780-4
.220	YES	3	213780-3
.220	NO	4	213780-2
.220	NO	3	213780-1

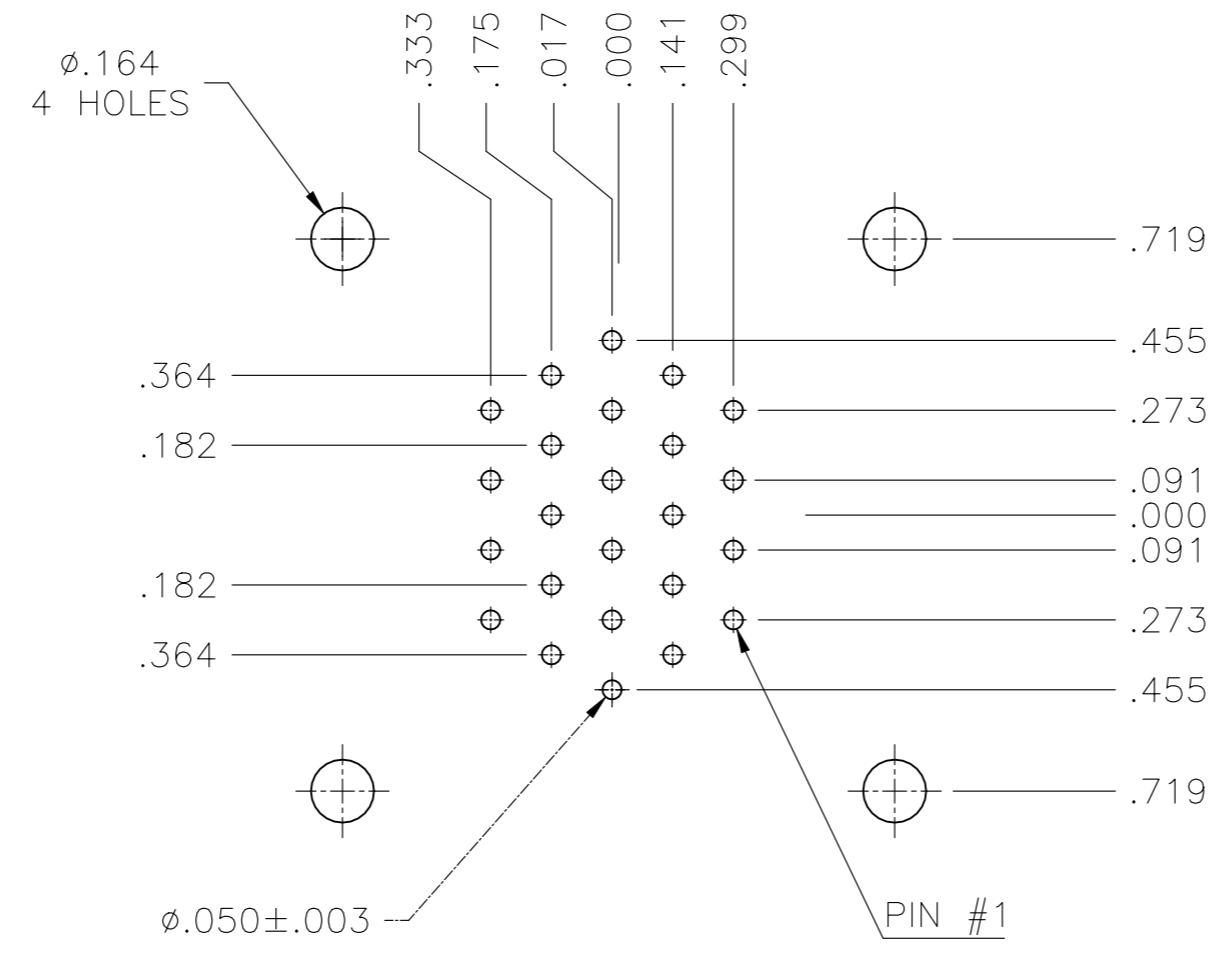
THIS DRAWING IS A CONTROLLED DOCUMENT.

DWN W.LENKER 08/20/93	TE Connectivity
CHK R.STONE 08/24/93	
APVD -	NAME
PRODUCT SPEC 108-10024	RECEPTACLE ASSEMBLY, POSTED, STD SEX, SERIES 1, 23-24, CPC
APPLICATION SPEC 114-10038	SIZE A2 CAGE CODE 00779 DRAWING NO C-213780
MATERIAL FINISH	WEIGHT -
	CUSTOMER DRAWING

SCALE 2:1 SHEET 1 of 2 REV G1

THIS DRAWING IS UNPUBLISHED. RELEASED FOR PUBLICATION  
 © COPYRIGHT - By - ALL RIGHTS RESERVED.

REVISIONS					
P	LTR	DESCRIPTION	DATE	DWN	APVD
-	-	SEE SHEET 1	-	-	-



RECOMMENDED P.C. BOARD LAYOUT  
 BOTTOM SIDE

THIS DRAWING IS A CONTROLLED DOCUMENT.		DWN W.LENKER 08/20/93	TE Connectivity		
DIMENSIONS: INCHES		CHK R.STONE 08/24/93			
		TOLERANCES UNLESS OTHERWISE SPECIFIED:		PRODUCT SPEC 108-10024 APPLICATION SPEC 114-10038	
MATERIAL		FINISH		SIZE A2	CAGE CODE 00779
		-		DRAWING NO C=213780	RESTRICTED TO
CUSTOMER DRAWING				SCALE 2:1	SHEET 2 OF 2
				REV G1	

213780