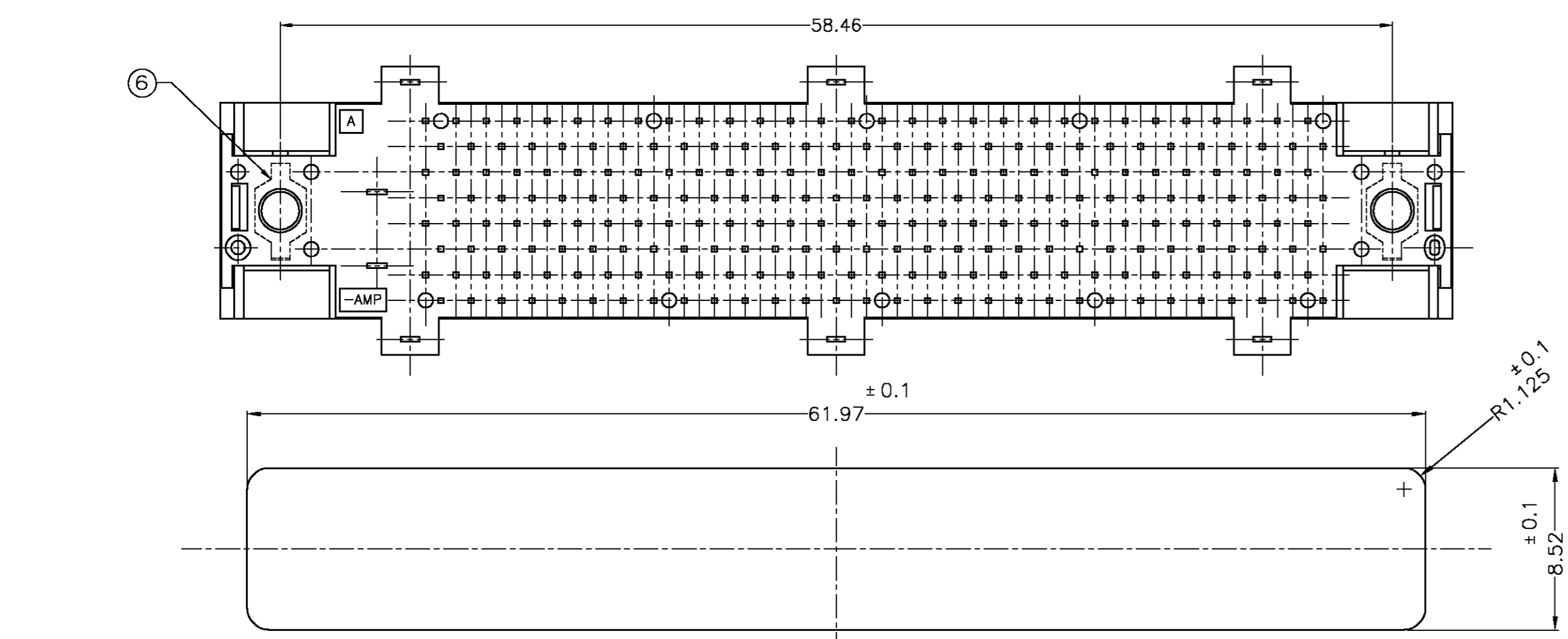
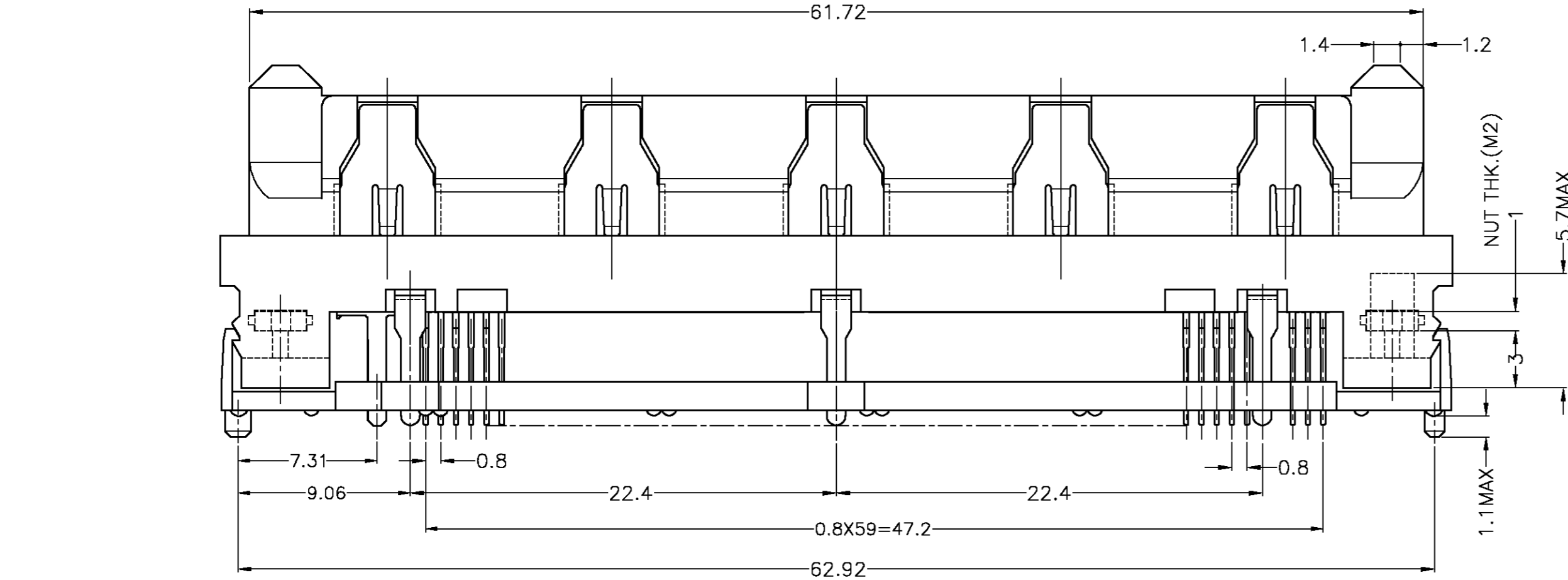
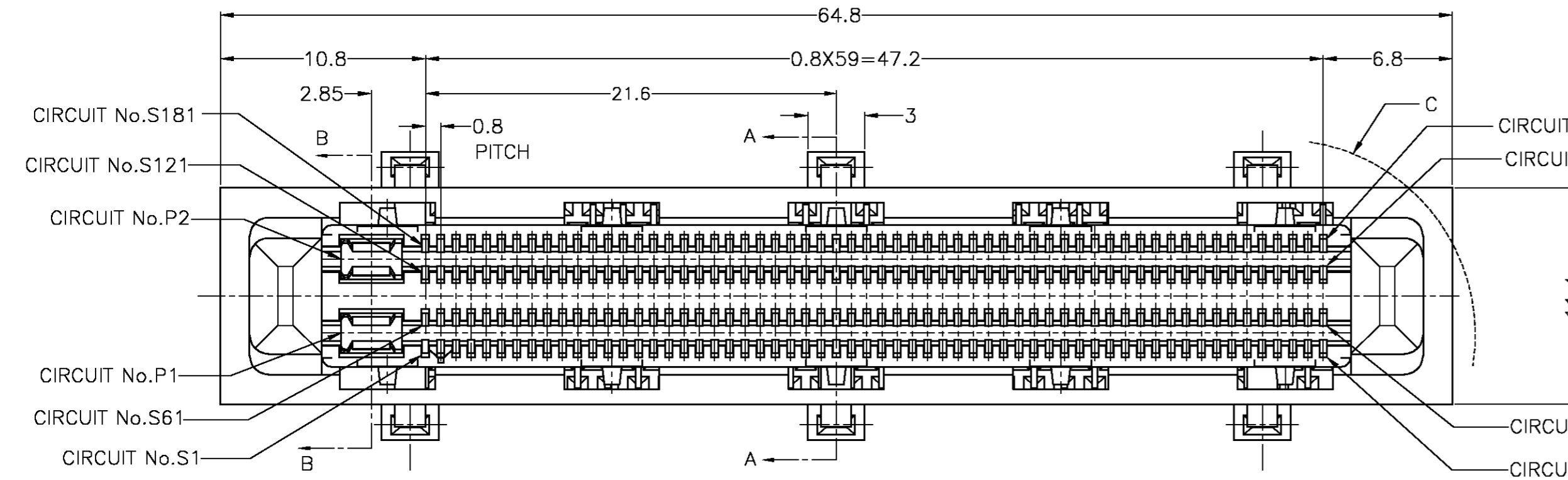
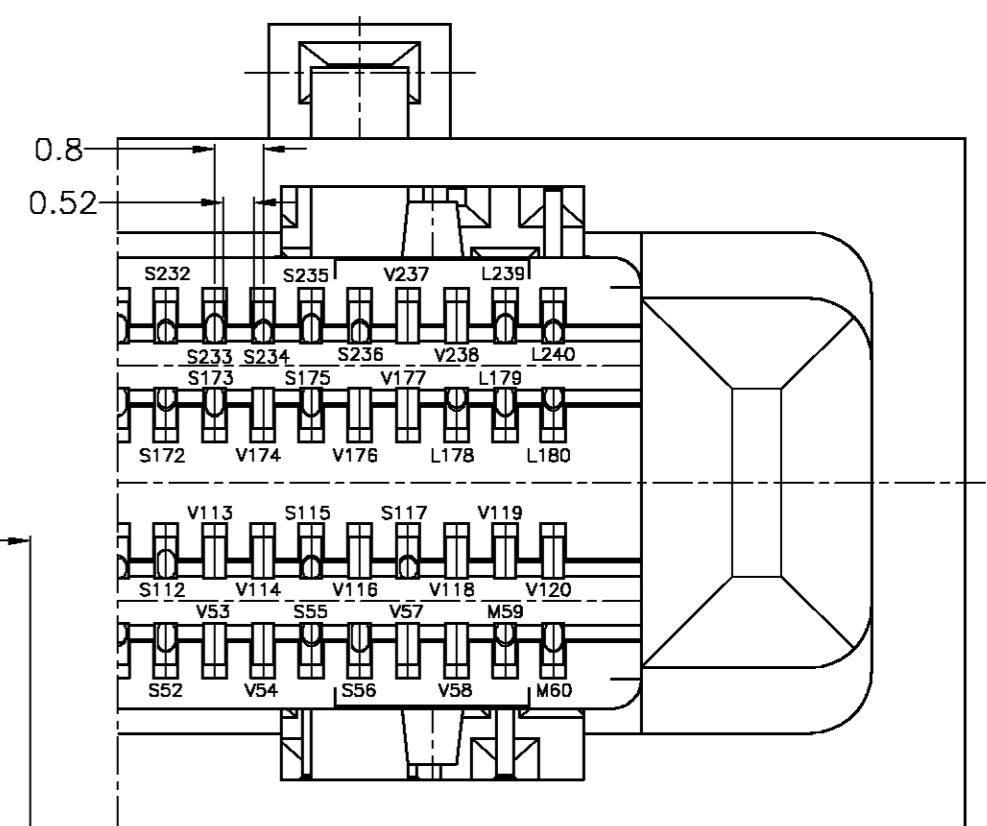


THIS DRAWING IS UNPUBLISHED. RELEASED FOR PUBLICATION 2002.
 © COPYRIGHT 2002 BY TYCO ELECTRONICS CORPORATION. ALL RIGHTS RESERVED.

LOC	DIST	REVISONS					
J		P	LTR	DESCRIPTION	DATE	DWN	APVD
		A		REVISED (FJBO-0728-03)	12SEP03	T.K	H.S



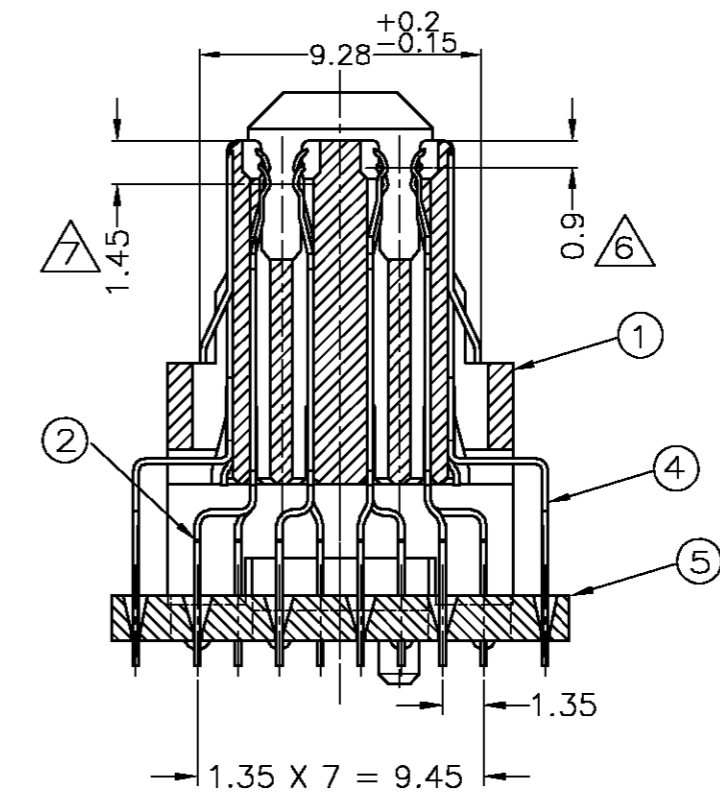
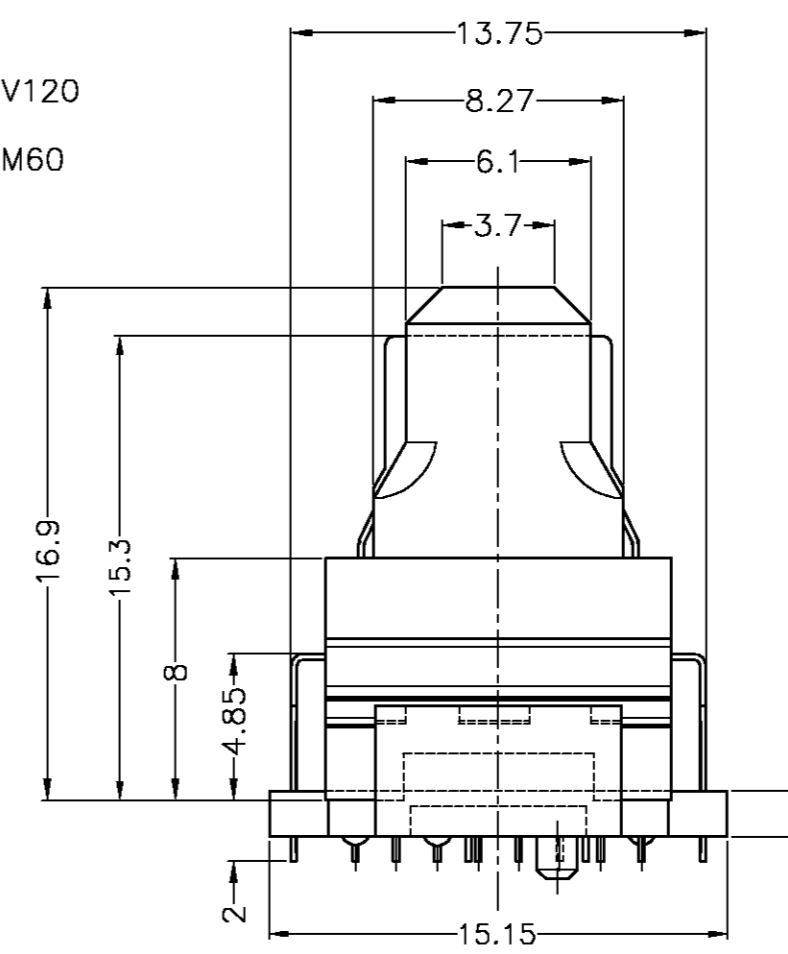
REFERENCE PANEL OPENING DIM.
 参考パネル開口寸法



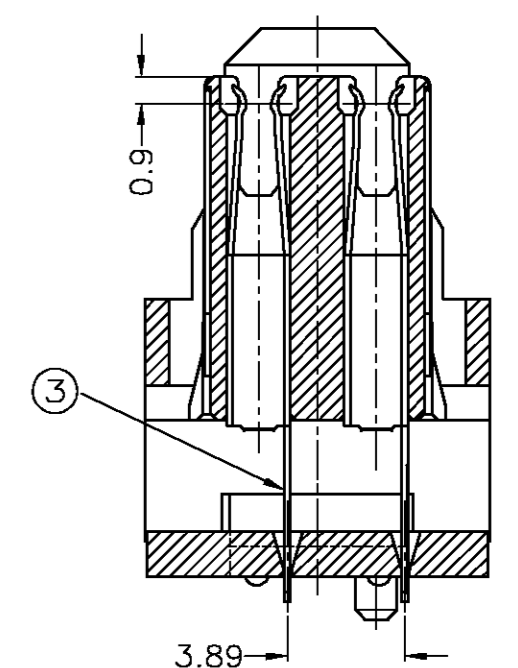
DETAIL C
 (SCALE 8:1)

極数
 SIGNAL 218P
 MODEM 2P
 LAN 5P
 VOID 15P
 POWER 2P

1674037-1 ; AS SHOWN
 SHEET 1 & 2



SECTION A-A (SIGNAL)
 (ROTATED CW90°)



SECTION B-B (POWER)
 (ROTATED CW90°)

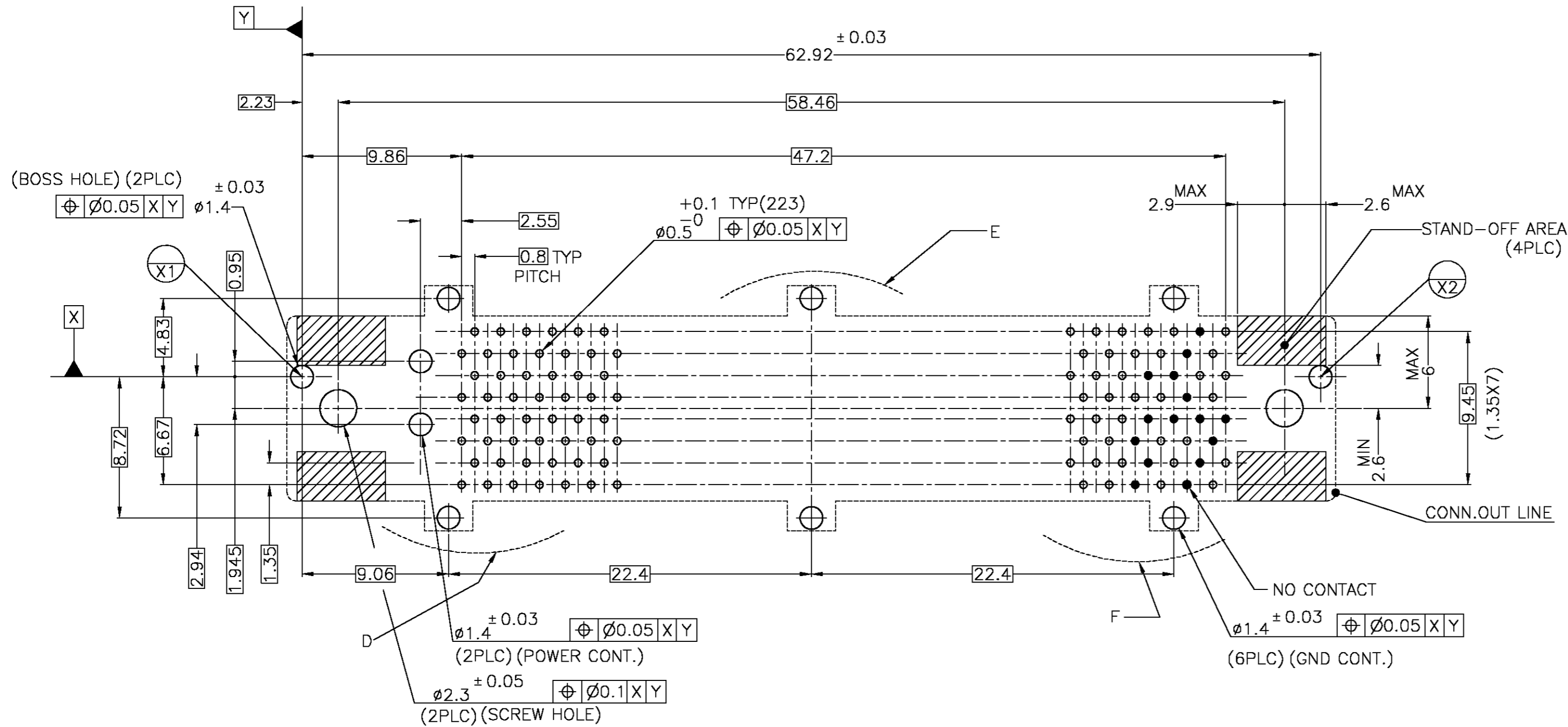
THIS DRAWING IS A CONTROLLED DOCUMENT.		DWN T.KAWAMAE 25AUG03	 Tyco Electronics AMP K.K. Kawasaki, Japan
DIMENSIONS: MM		CHK S.ABE 25AUG03	
TOLERANCES UNLESS OTHERWISE SPECIFIED:		APVD H.SHIRAI 25AUG03	NAME
0 PLG ± 1 PLG ± 0.3 2 PLG ± 3' 3 PLG ± 3' 4 PLG ± ANGLES ± FINISH		PRODUCT SPEC 108-5742	REC ASSY V (240P + POWER 2P)
MATERIAL SEE NOTE		APPLICATION SPEC	FOR 0.8 mm PITCH DOCKING CONN.
SEE NOTE		WEIGHT 12.6g	SIZE A2
SEE NOTE		CUSTOMER DRAWING	CAGE CODE 00779
			DRAWING NO C=1674037
			RESTRICTED TO
			SCALE 4:1 SHEET 1 OF 4 REV A

1674037

A

THIS DRAWING IS UNPUBLISHED. RELEASED FOR PUBLICATION 2002.
 © COPYRIGHT 2002 BY TYCO ELECTRONICS CORPORATION. ALL RIGHTS RESERVED.

LOC	DIST	REVISIONS				
J		P	LTR	DATE	DWN	APVD

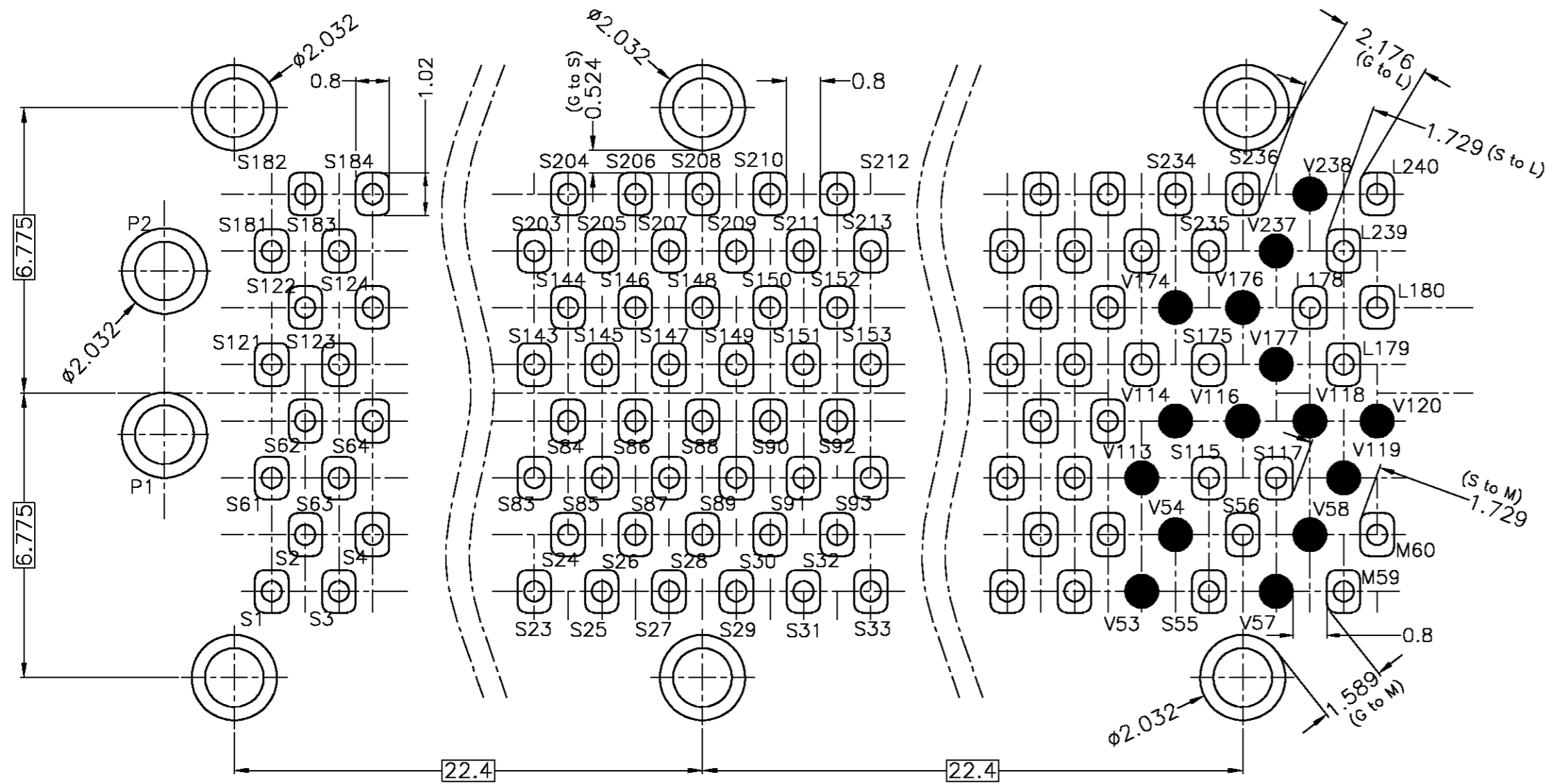


RECOMMENDED PC BOARD DIMENSIONS (MOUNTING SIDE)

推奨基板寸法 (実装面)

- 注記
- △材質
 - ハウジング : 熱可塑性樹脂 UL94V-0, 黒
 - タイムプレート : 熱可塑性樹脂 UL94V-0, 黒
 - シグナルコンタクト : 銅合金
 - パワーコンタクト : 銅合金
 - グラウンドプレート : 銅合金
 - ナット : ステンレス鋼
 - △仕上
 - シグナルコンタクト & パワーコンタクト : ニッケル下地接点部金めっき, はんだ付け部はんだめっき
 - グラウンドプレート : 銅下地すずめっき(リフロー)
 - 3 適用基板厚 : $1.2 \pm 0.1 \text{ mm}$
 - 4 嵌合相手型番 : X-1674036-X
 - △5 推奨ねじ締め付けトルク : $0.15 \text{ N} \cdot \text{m}$ ($1.5 \text{ kgf} \cdot \text{cm}$) から $0.2 \text{ N} \cdot \text{m}$ ($2 \text{ kgf} \cdot \text{cm}$)
 - △6 適用極 No. : 1~120極周 : 偶数極、121~240極周 : 奇数極に適用。
 - △7 適用極 No. : 1~120極周 : 奇数極、121~240極周 : 偶数極に適用。

- NOTE
- △MATERIAL
 - HOUSING : THERMOPLASTIC, UL94V-0, BLACK
 - TINE PLATE : THERMOPLASTIC, UL94V-0, GRAY
 - SIGNAL CONTACT: COPPER ALLOY
 - POWER CONTACT : COPPER ALLOY
 - GROUND PLATE : COPPER ALLOY
 - NUT : STAINLESS STEEL
 - △FINISH
 - SIGNAL CONTACT & POWER CONTACT Au PI. ON CONTACT AREA
 - Sn-Pb PI. ON SOLDER AREA
 - Ni UNDER PI. ALL OVER
 - GROUND PLATE Tin PI. ALL OVER (REFLOW)
 - Cu PI. UNDER PI. ALL OVER
 - 3 APPLICABLE THICKNESS OF P.C.BOARD $1.2 \pm 0.1 \text{ mm}$
 - 4 CONNECTOR TO BE MATED : X-1674036-X
 - △5 RECOMMENDED TIGHTENING TORQUE : FROM $0.15 \text{ N} \cdot \text{m}$ ($1.5 \text{ kgf} \cdot \text{cm}$) TO $0.2 \text{ N} \cdot \text{m}$ ($2 \text{ kgf} \cdot \text{cm}$)
 - △6 APPLICABLE POSITION NUMBER ; 1~120 POS. : APPLICABLE TO EVEN NUMBER POSITION ; 121~240 POS. : APPLICABLE TO ODD NUMBER POSITION
 - △7 APPLICABLE POSITION NUMBER ; 1~120 POS. : APPLICABLE TO ODD NUMBER POSITION ; 121~240 POS. : APPLICABLE TO EVEN NUMBER POSITION



DETAIL D (SCALE 8:1)

DETAIL E (SCALE 8:1)

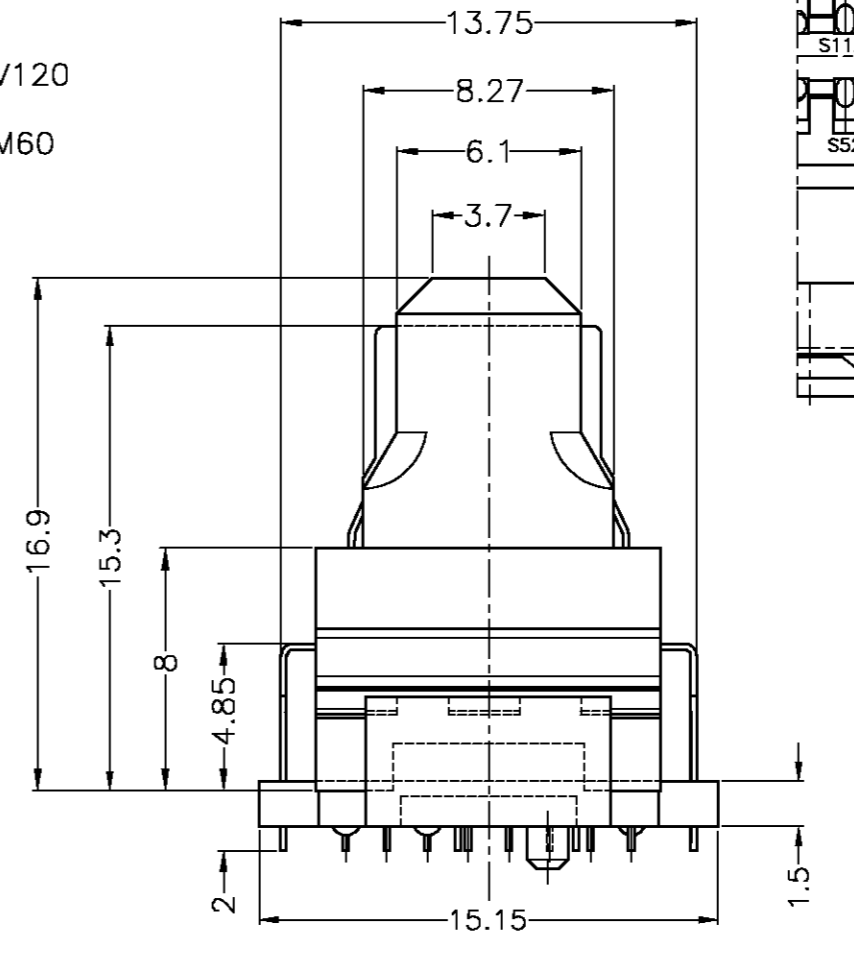
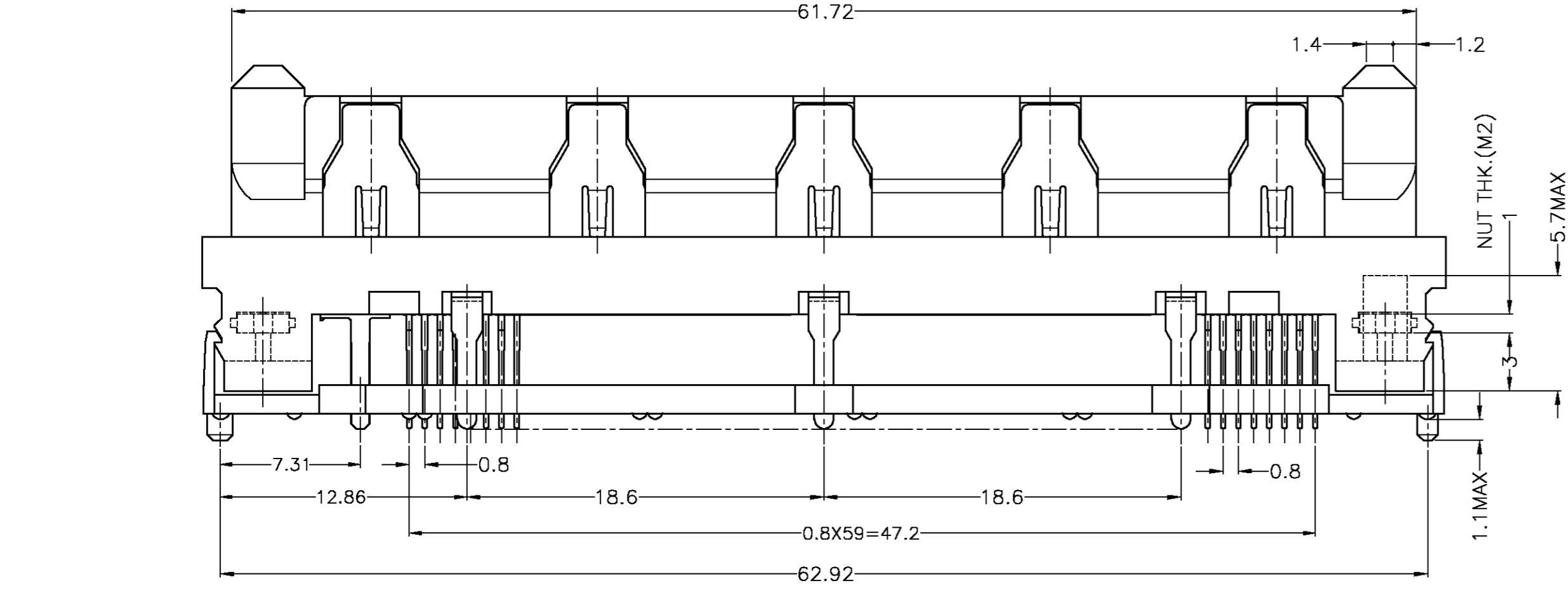
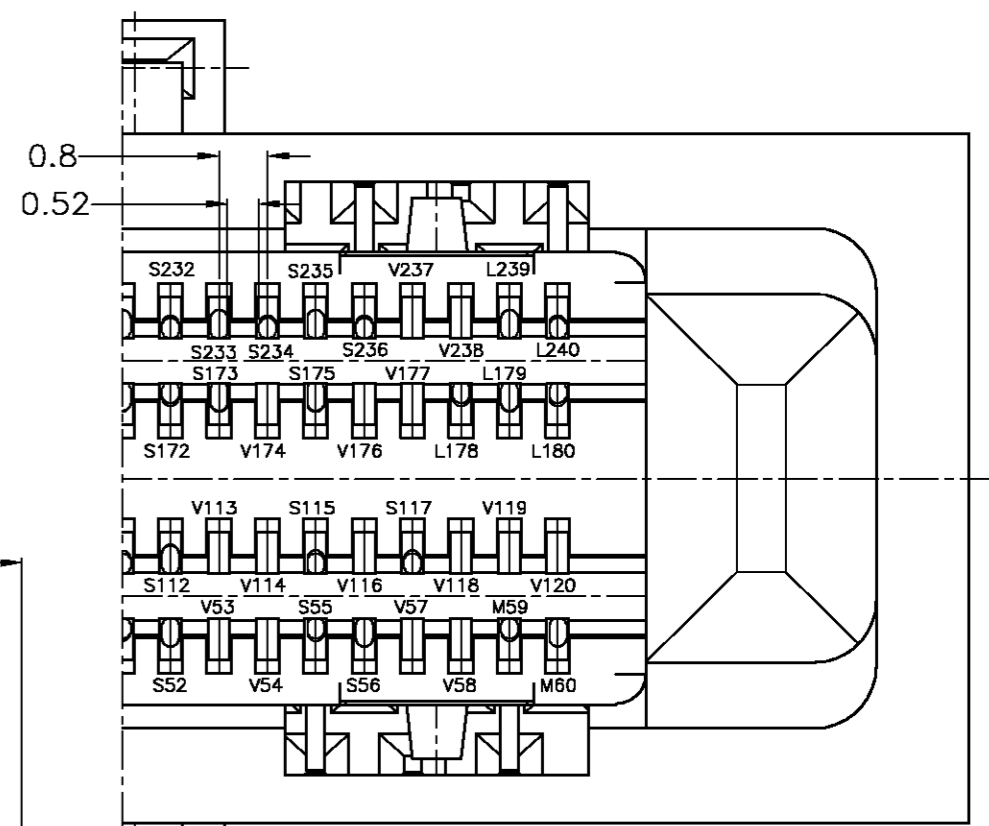
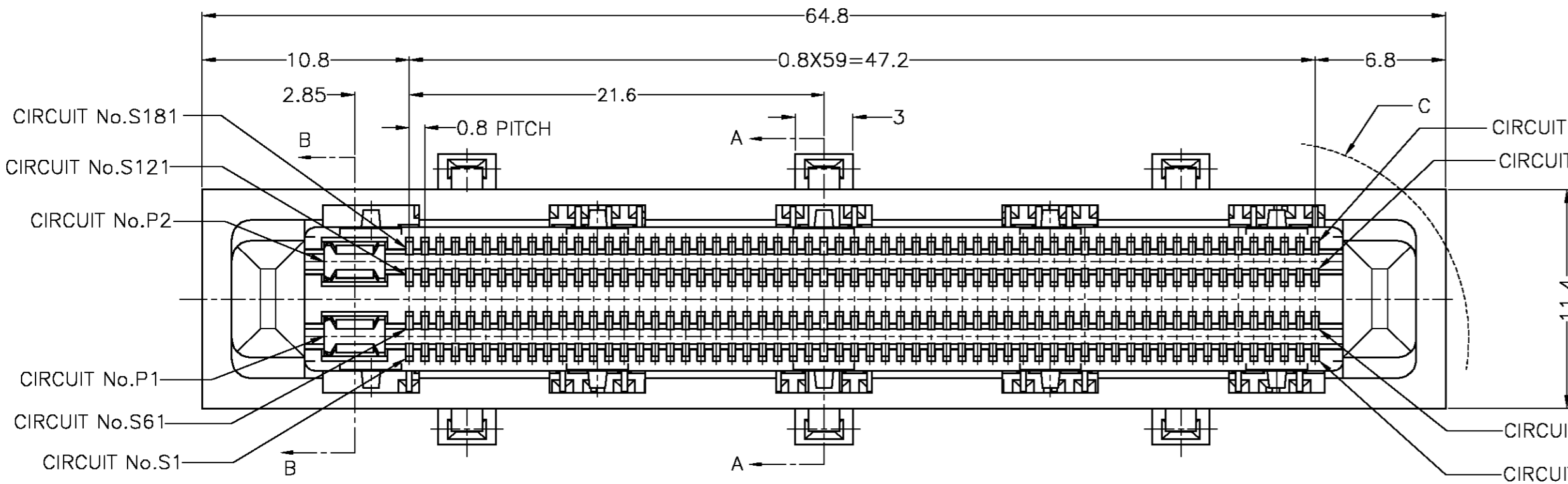
DETAIL F (SCALE 8:1)

2	NUT	6
1	TINE PLATE (TYPE 1)	5
2	GROUND PLATE (TYPE 1)	4
2	POWER CONTACT	3
225	SIGNAL CONTACT	2
1	HOUSING	1
-1	NAME	ITEM NO.

THIS DRAWING IS A CONTROLLED DOCUMENT.		DWN	tyco Tyco Electronics AMP K.K. Kawasaki, Japan		
DIMENSIONS: MM		CHK	NAME		
TOLERANCES UNLESS OTHERWISE SPECIFIED:		APVD	REC ASSY V (240P + POWER 2P)		
<ul style="list-style-type: none"> Ø PLG ± 1 PLG ± ± 0.3 2 PLG ± ± 3' 3 PLG ± ± 3' 4 PLG ± ± ANGLES ± FINISH ± 		PRODUCT SPEC	FOR 0.8 mm PITCH DOCKING CONN.		
MATERIAL SEE NOTE		APPLICATION SPEC	SIZE	CAGE CODE	DRAWING NO
SEE NOTE		WEIGHT	A2	00779	C=1674037
SEE NOTE		CUSTOMER DRAWING	RESTRICTED TO	SCALE	SHEET
				4:1	2 OF 4

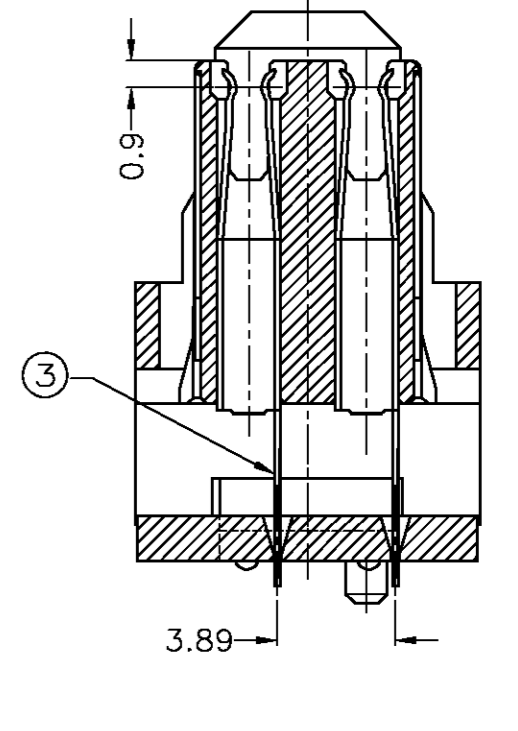
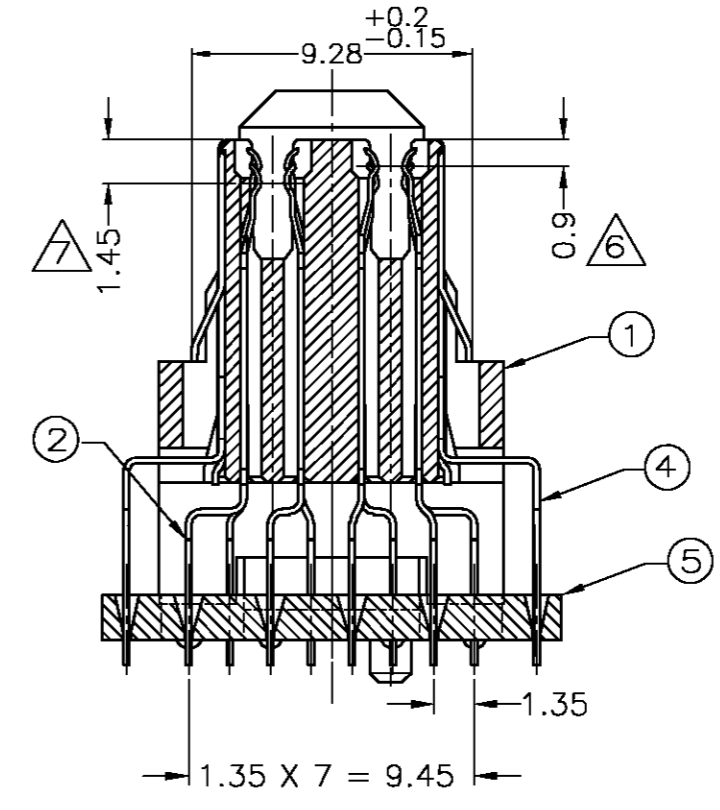
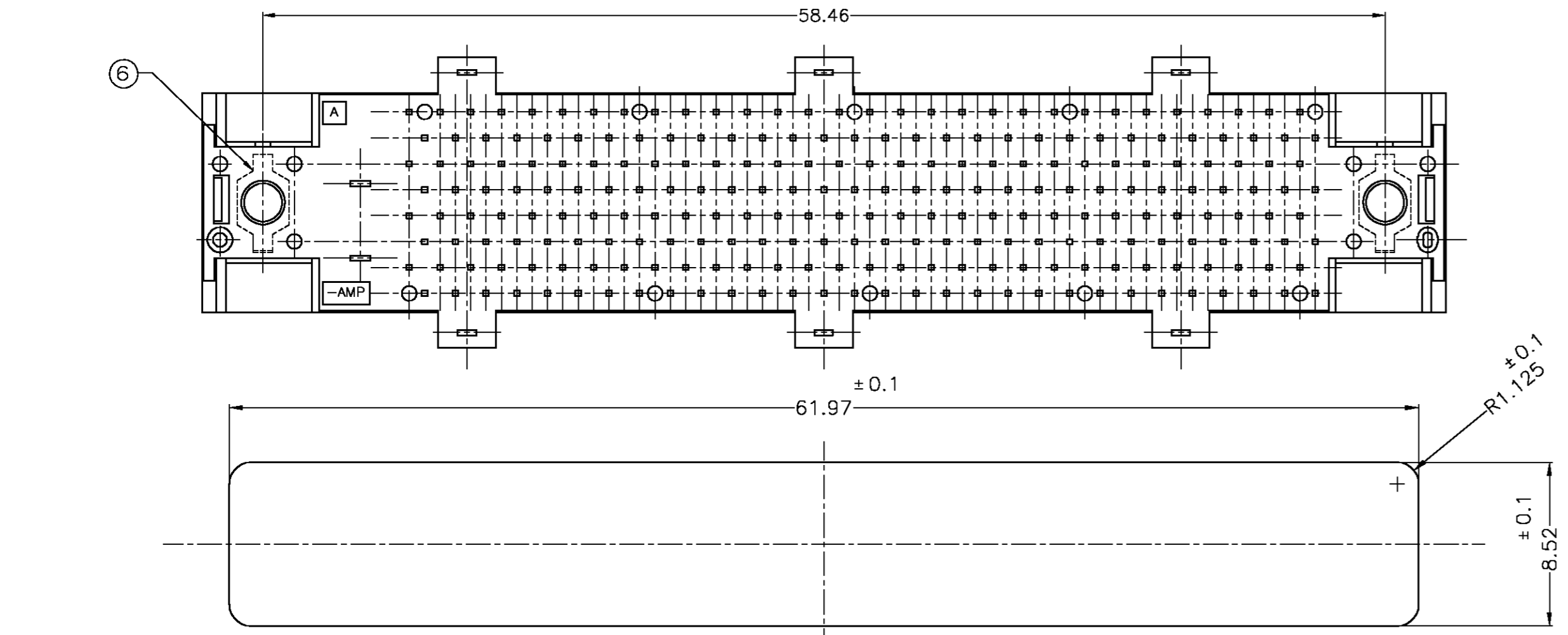
THIS DRAWING IS UNPUBLISHED. RELEASED FOR PUBLICATION 2002.
 © COPYRIGHT 2002 BY TYCO ELECTRONICS CORPORATION. ALL RIGHTS RESERVED.

LOC		DIST		REVISIONS				
J				REV	DESCRIPTION	DATE	DWN	APVD
P	LTR							



極数
 SIGNAL 218P
 MODEM 2P
 LAN 5P
 VOID 15P
 POWER 2P

1674037-2 ; AS SHOWN
 SHEET 3 & 4



THIS DRAWING IS A CONTROLLED DOCUMENT.		DWN	tyco		Tyco Electronics AMP K.K.	
DIMENSIONS: MM		CHK	Electronics		Kawasaki, Japan	
TOLERANCES UNLESS OTHERWISE SPECIFIED:		APVD	NAME			
6 PLG ±		PRODUCT SPEC	REC ASSY V (240P + POWER 2P)			
1 PLG ± 0.3		APPLICATION SPEC	FOR 0.8 mm PITCH DOCKING CONN.			
2 PLG ± 3'		WEIGHT	SIZE	CAGE CODE	DRAWING NO	RESTRICTED TO
3 PLG ±		12.6g	A2	00779	C=1674037	-
4 PLG ±		CUSTOMER DRAWING	SCALE 4:1		SHEET 3 OF 4	REV A
ANGLES ±						
FINISH						

4 3 2 1

THIS DRAWING IS UNPUBLISHED. RELEASED FOR PUBLICATION 2002.
 © COPYRIGHT 2002 BY TYCO ELECTRONICS CORPORATION. ALL RIGHTS RESERVED.

LOC	DIST	REVISIONS		
J		REV	DESCRIPTION	DATE

(BOSS HOLE) (2PLC) $\phi 0.05$ X|Y $\phi 1.4$ ± 0.03

$\phi 0.5$ ± 0.1 TYP(223) $\phi 0.05$ X|Y

0.8 TYP PITCH

MAX 2.9

MAX 2.6

STAND-OFF AREA (4PLC)

CONN.OUT LINE

NO CONTACT $\phi 1.4$ ± 0.03 $\phi 0.05$ X|Y (6PLC) (GND CONT.)

$\phi 2.3$ ± 0.05 $\phi 0.1$ X|Y (2PLC) (SCREW HOLE)

$\phi 1.4$ ± 0.03 $\phi 0.05$ X|Y (2PLC) (POWER CONT.)

9.86 58.46 47.2 62.92 ± 0.03

2.23 9.86 4.83 0.95 4.83 6.67 8.72 2.94 1.945 1.35 12.86 18.6 18.6 18.6

2.55 2.9 2.6 6 9.45 (1.35X7) MIN 2.6

X1 X2

X Y

E F

RECOMMENDED PC BOARD DIMENSIONS (MOUNTING SIDE)
 推奨基板寸法 (実装面)

NOTE

MATERIAL

HOUSING : THERMOPLASTIC, UL94V-0, BLACK
 TINE PLATE : THERMOPLASTIC, UL94V-0, GRAY
 SIGNAL CONTACT: COPPER ALLOY
 POWER CONTACT : COPPER ALLOY
 GROUND PLATE : COPPER ALLOY
 NUT : STAINLESS STEEL

FINISH

SIGNAL CONTACT & POWER CONTACT
 Au PI. ON CONTACT AREA
 Sn-Pb PI. ON SOLDER AREA
 Ni UNDER PI. ALL OVER
 GROUND PLATE
 Tin PI. ALL OVER (REFLOW)
 Cu PI. UNDER PI. ALL LVER

3 APPLICABLE THICKNESS OF P.C.BOARD : 1.2 \pm 0.1mm
 4 CONNECTOR TO BE MATED : X-1674036-X

RECOMMENDED TIGHTENING TORQUE : FROM 0.15N·m(1.5kgf·cm) TO 0.2N·m(2kgf·cm)

APPLICABLE POSITION NUMBER ;
 1~120 POS. : APPLICABLE TO EVEN NUMBER POSITION
 121~240 POS. : APPLICABLE TO ODD NUMBER POSITION

APPLICABLE POSITION NUMBER ;
 1~120 POS. : APPLICABLE TO ODD NUMBER POSITION
 121~240 POS. : APPLICABLE TO EVEN NUMBER POSITION

DETAIL D (SCALE 8:1)

DETAIL E (SCALE 8:1)

DETAIL F (SCALE 8:1)

6.775 1.02 0.8 $\phi 2.032$

6.775 $\phi 2.032$

18.6 18.6

5.455 (G to L) 1.729 (S to L)

1.729 (S to M)

2.081 $\phi 2.032$

S182 S184 S181 S183 S122 S124 S121 S123 S62 S64 S61 S63 S2 S4 S1 S3 S204 S206 S208 S210 S212 S203 S205 S207 S209 S211 S213 S144 S146 S148 S150 S152 S143 S145 S147 S149 S151 S153 S84 S86 S88 S90 S92 S83 S85 S87 S89 S91 S93 S24 S26 S28 S30 S32 S23 S25 S27 S29 S31 S33 S234 S236 V238 L240 L239 L180 L178 L179 L114 V116 V118 V120 V113 S115 S117 V119 V54 S56 V58 M60 M59 V53 S55 V57

2	NUT	6
1	TINE PLATE (TYPE 2)	5
2	GROUND PLATE (TYPE 2)	4
2	POWER CONTACT	3
225	SIGNAL CONTACT	2
1	HOUSING	1
-2	NAME	ITEM NO.

THIS DRAWING IS A CONTROLLED DOCUMENT.		DWN	tyco Tyco Electronics AMP K.K. Kawasaki, Japan	
DIMENSIONS: MM		CHK	NAME	
TOLERANCES UNLESS OTHERWISE SPECIFIED:		APVD	REC ASSY V (240P + POWER 2P)	
0-PLC \pm		PRODUCT SPEC	FOR 0.8 mm PITCH DOCKING CONN.	
1-PLC ± 0.3		APPLICATION SPEC	SIZE	CAGE CODE
2-PLC ± 3		WEIGHT	A2	00779
3-PLC \pm		CUSTOMER DRAWING	DRAWING NO.	1674037
4-PLC \pm		SCALE	4:1	SHEET 4 OF 4
ANGLES \pm		RESTRICTED TO	-	
FINISH		REV	A	
SEE NOTE				

AMP 1471-9 REV 31MAR2000

L:\EN22_CadData\AutoCAD\1028532\0.8DOCKING\REC VOID変更\1674037-C.dwg

1674037