

| ASSEMBLY DESCRIPTION | ASSEMBLY PART NUMBER | CONNECTOR HOUSING | GROMMET CAP | TPA | RIGHT SLIDE | LEFT SLIDE | MATE ASSIST LEVER | CPA | MAT SEAL | RING SEAL | BLOCKED TERMINALS | | | | | | | | | | | | | | | | STATUS | COMMENTS | INTEGRAL COMPONENTS SOLD SEPARATELY DRESS COVER | | | | | | | | | | | | |
|--|----------------------|-------------------|-------------|--------|-------------|------------|-------------------|-----|----------|-----------|--|----|----|----|----|----|----|----|----|----|----|----|----|----|----------|----------|------------|------------|---|------------|---|---|---|---|---|---|---|---|---|---|---|
| | | | | | | | | | | | CAVITY WITH A NUMBER INDICATES BLOCKED TERMINAL POSITION CAVITY WITHOUT A NUMBER INDICATES OPEN TERMINAL POSITION | | | | | | | | | | | | | | | | | | | | | | | | | | | | | | |
| SDC56 ASSY RCPT 56CKT BLU OPT 9 KEY G/56 | 1600990019 | C-HSG-G9 | G-CAP-9 | TPA-G9 | RS | LS | MAL | CPA | MSEAL | RSEAL | - | - | - | - | - | - | - | - | - | - | - | - | - | - | - | - | - | SALEABLE | | 1600995001 | | | | | | | | | | | |
| | | | | | | | | | | | - | - | - | - | - | - | - | - | - | - | - | - | - | - | - | - | - | | | | - | - | - | - | - | - | - | - | - | | |
| | | | | | | | | | | | - | - | - | - | - | - | - | - | - | - | - | - | - | - | - | - | - | | | | - | - | - | - | - | - | - | - | - | - | - |
| | | | | | | | | | | | - | - | - | - | - | - | - | - | - | - | - | - | - | - | - | - | - | | | | - | - | - | - | - | - | - | - | - | - | - |
| SDC56 ASSY RCPT 56CKT GRY OPT 9 KEY H/56 | 1600990020 | C-HSG-H9 | G-CAP-9 | TPA-H9 | RS | LS | MAL | CPA | MSEAL | RSEAL | - | - | - | - | - | - | - | - | - | - | - | - | - | - | - | - | - | SALEABLE | | 1600995001 | | | | | | | | | | | |
| | | | | | | | | | | | - | - | - | - | - | - | - | - | - | - | - | - | - | - | - | - | - | | | | - | - | - | - | - | - | - | - | - | | |
| | | | | | | | | | | | - | - | - | - | - | - | - | - | - | - | - | - | - | - | - | - | - | | | | - | - | - | - | - | - | - | - | - | - | - |
| | | | | | | | | | | | - | - | - | - | - | - | - | - | - | - | - | - | - | - | - | - | - | | | | - | - | - | - | - | - | - | - | - | - | - |
| SDC56 ASSY RCPT 56CKT BLK OPT 9 KEY J/56 | 1600990021 | C-HSG-J9 | G-CAP-9 | TPA-J9 | RS | LS | MAL | CPA | MSEAL | RSEAL | - | - | - | - | - | - | - | - | - | - | - | - | - | - | - | - | - | SALEABLE | | 1600995001 | | | | | | | | | | | |
| | | | | | | | | | | | - | - | - | - | - | - | - | - | - | - | - | - | - | - | - | - | - | | | | - | - | - | - | - | - | - | - | - | | |
| | | | | | | | | | | | - | - | - | - | - | - | - | - | - | - | - | - | - | - | - | - | - | | | | - | - | - | - | - | - | - | - | - | - | - |
| | | | | | | | | | | | - | - | - | - | - | - | - | - | - | - | - | - | - | - | - | - | - | | | | - | - | - | - | - | - | - | - | - | - | - |
| SDC56 ASSY RCPT 56CKT 9 KEY K/56 | 1600990022 | C-HSG-K9 | G-CAP-9 | TPA-K9 | RS | LS | MAL | CPA | MSEAL | RSEAL | - | - | - | - | - | - | - | - | - | - | - | - | - | - | - | - | - | CONCEPT | | 1600995001 | | | | | | | | | | | |
| | | | | | | | | | | | - | - | - | - | - | - | - | - | - | - | - | - | - | - | - | - | - | | | | - | - | - | - | - | - | - | - | - | - | |
| | | | | | | | | | | | - | - | - | - | - | - | - | - | - | - | - | - | - | - | - | - | - | | | | - | - | - | - | - | - | - | - | - | - | - |
| | | | | | | | | | | | - | - | - | - | - | - | - | - | - | - | - | - | - | - | - | - | - | | | | - | - | - | - | - | - | - | - | - | - | - |
| SDC56 ASSY RCPT 56CKT NAT OPT 9 KEY M/56 | 1600990024 | C-HSG-M9 | G-CAP-9 | TPA-M9 | RS | LS | MAL | CPA | MSEAL | RSEAL | - | - | - | - | - | - | - | - | - | - | - | - | - | - | - | - | - | SALEABLE | | 1600995001 | | | | | | | | | | | |
| | | | | | | | | | | | - | - | - | - | - | - | - | - | - | - | - | - | - | - | - | - | - | | | | - | - | - | - | - | - | - | - | - | - | |
| | | | | | | | | | | | - | - | - | - | - | - | - | - | - | - | - | - | - | - | - | - | - | | | | - | - | - | - | - | - | - | - | - | - | - |
| | | | | | | | | | | | - | - | - | - | - | - | - | - | - | - | - | - | - | - | - | - | - | | | | - | - | - | - | - | - | - | - | - | - | - |
| SDC56 ASSY RCPT 56CKT GRY OPT 0 KEY H/47 | 1600990025 | C-HSG-H0 | G-CAP-0 | TPA-H0 | RS | LS | MAL | CPA | MSEAL | RSEAL | - | - | - | - | - | - | - | 49 | 48 | - | - | - | - | - | - | - | SALEABLE | | 1600995001 | | | | | | | | | | | | |
| | | | | | | | | | | | - | - | - | - | - | - | - | - | 35 | 34 | - | - | - | - | - | - | | | | - | - | - | - | - | - | - | - | - | - | - | |
| | | | | | | | | | | | - | - | - | - | - | - | - | - | 21 | 20 | - | - | - | - | - | - | | | | - | - | - | - | - | - | - | - | - | - | - | - |
| | | | | | | | | | | | - | - | 12 | - | - | - | - | - | 7 | 6 | - | - | - | - | - | - | | | | - | - | - | - | - | - | - | - | - | - | - | - |
| SDC56 ASSY RCPT 56CKT BLK OPT 0 KEY J/21 | 1600990026 | C-HSG-J0 | G-CAP-0 | TPA-J0 | RS | LS | MAL | CPA | MSEAL | RSEAL | 56 | - | 54 | 53 | 52 | 51 | 50 | 49 | 48 | - | - | - | - | - | - | SALEABLE | | 1600995001 | | | | | | | | | | | | | |
| | | | | | | | | | | | 42 | 41 | 40 | 39 | 38 | 37 | 36 | 35 | 34 | - | - | - | - | - | - | | | | - | - | - | - | - | - | - | - | - | - | - | | |
| | | | | | | | | | | | 28 | 27 | 26 | 25 | 24 | 23 | 22 | 21 | 20 | - | - | - | - | - | - | | | | - | - | - | - | - | - | - | - | - | - | - | - | - |
| | | | | | | | | | | | 14 | 13 | 12 | 11 | 10 | 9 | 8 | 7 | 6 | - | - | - | - | - | - | | | | - | - | - | - | - | - | - | - | - | - | - | - | - |
| SDC56 ASSY RCPT 56CKT NAT OPT 0 KEY M/21 | 1600990027 | C-HSG-M0 | G-CAP-0 | TPA-M0 | RS | LS | MAL | CPA | MSEAL | RSEAL | 56 | - | 54 | 53 | 52 | 51 | 50 | 49 | 48 | - | - | - | - | - | SALEABLE | | 1600995001 | | | | | | | | | | | | | | |
| | | | | | | | | | | | 42 | 41 | 40 | 39 | 38 | 37 | 36 | 35 | 34 | - | - | - | - | - | | | | - | - | - | - | - | - | - | - | - | - | - | - | | |
| | | | | | | | | | | | 28 | 27 | 26 | 25 | 24 | 23 | 22 | 21 | 20 | - | - | - | - | - | | | | - | - | - | - | - | - | - | - | - | - | - | - | - | |
| | | | | | | | | | | | 14 | 13 | 12 | 11 | 10 | 9 | 8 | 7 | 6 | - | - | - | - | - | | | | - | - | - | - | - | - | - | - | - | - | - | - | - | - |
| SDC56 ASSY RCPT 56CKT BLU OPT 0 KEY G/40 | 1600990028 | C-HSG-G0 | G-CAP-0 | TPA-G0 | RS | LS | MAL | CPA | MSEAL | RSEAL | - | - | - | - | - | - | 50 | 49 | 48 | 47 | - | - | - | - | - | SALEABLE | | 1600995001 | | | | | | | | | | | | | |
| | | | | | | | | | | | - | - | - | - | - | - | - | - | - | - | 32 | 31 | 30 | 29 | - | | | | - | - | - | - | - | - | - | - | - | - | - | | |
| | | | | | | | | | | | - | - | - | - | - | - | - | - | - | - | - | 18 | 17 | 16 | 15 | | | | - | - | - | - | - | - | - | - | - | - | - | - | - |
| | | | | | | | | | | | - | - | - | - | 10 | 9 | - | - | - | - | 4 | 3 | - | - | - | | | | - | - | - | - | - | - | - | - | - | - | - | - | - |
| SDC56 ASSY RCPT 56CKT BLK OPT 0 KEY J/27 | 1600990029 | C-HSG-J0 | G-CAP-0 | TPA-J0 | RS | LS | MAL | CPA | MSEAL | RSEAL | - | - | - | - | - | - | 50 | 49 | 48 | 47 | - | - | 44 | 43 | - | SALEABLE | | 1600995001 | | | | | | | | | | | | | |
| | | | | | | | | | | | - | - | - | - | - | - | 36 | 35 | 34 | 33 | 32 | 31 | 30 | 29 | - | | | | - | - | - | - | - | - | - | - | - | - | - | | |
| | | | | | | | | | | | - | - | 26 | - | - | - | - | - | 20 | 19 | 18 | 17 | 16 | 15 | - | | | | - | - | - | - | - | - | - | - | - | - | - | - | - |
| | | | | | | | | | | | - | - | - | - | - | - | 8 | 7 | 6 | 5 | 4 | 3 | 2 | 1 | - | | | | - | - | - | - | - | - | - | - | - | - | - | - | - |
| SDC56 ASSY RCPT 56CKT BLU OPT 0 KEY G/29 | 1600990030 | C-HSG-G0 | G-CAP-0 | TPA-G0 | RS | LS | MAL | CPA | MSEAL | RSEAL | - | - | - | - | 52 | - | - | 49 | 48 | - | - | 45 | - | - | SALEABLE | | 1600995001 | | | | | | | | | | | | | | |
| | | | | | | | | | | | - | 41 | 40 | - | - | 37 | 36 | 35 | 34 | - | - | 31 | - | - | | | | - | - | - | - | - | - | - | - | - | - | - | - | - | |
| | | | | | | | | | | | - | - | - | - | 24 | 23 | 22 | 21 | 20 | 19 | 18 | 17 | 16 | 15 | | | | - | - | - | - | - | - | - | - | - | - | - | - | - | - |
| | | | | | | | | | | | - | - | - | - | - | - | - | - | - | 6 | 5 | 4 | 3 | 2 | | | | 1 | - | - | - | - | - | - | - | - | - | - | - | - | - |
| SDC56 ASSY RCPT 56CKT BLK OPT 0 KEY J/17 | 1600990031 | C-HSG-J0 | G-CAP-0 | TPA-J0 | RS | LS | MAL | CPA | MSEAL | RSEAL | 56 | 55 | - | - | - | - | 50 | 49 | 48 | 47 | 46 | 45 | 44 | 43 | SALEABLE | | 1600995001 | | | | | | | | | | | | | | |
| | | | | | | | | | | | 42 | 41 | 40 | 39 | - | - | - | - | - | - | 32 | 31 | 30 | 29 | | | | - | - | - | - | - | - | - | - | - | - | - | - | | |
| | | | | | | | | | | | 28 | 27 | 26 | - | 24 | 23 | 22 | 21 | 20 | 19 | 18 | 17 | 16 | 15 | | | | - | - | - | - | - | - | - | - | - | - | - | - | - | |
| | | | | | | | | | | | - | - | - | - | 10 | 9 | 8 | 7 | 6 | 5 | 4 | 3 | - | - | | | | - | - | - | - | - | - | - | - | - | - | - | - | - | - |

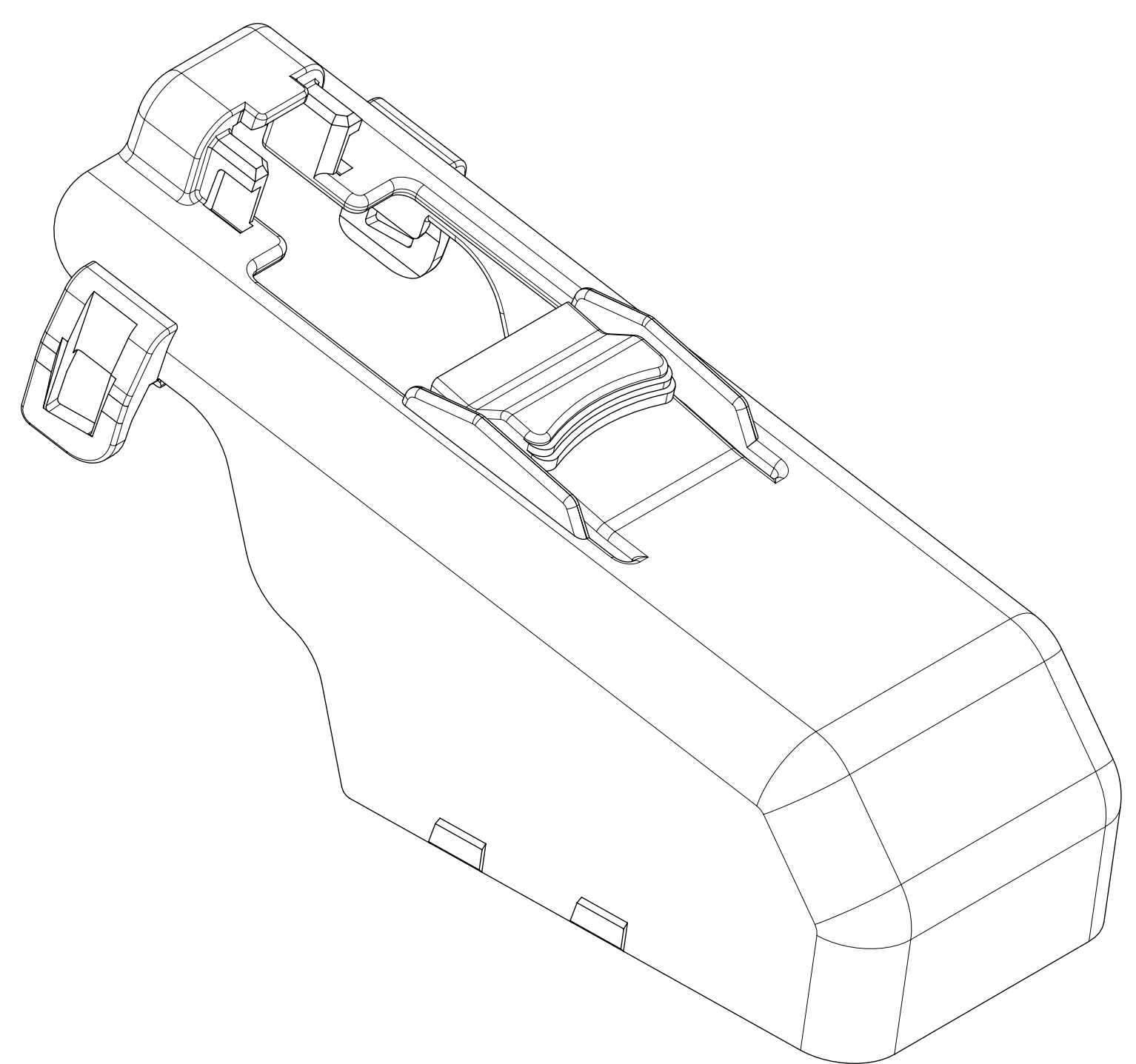
| ASSEMBLY DESCRIPTION | ASSEMBLY PART NUMBER | CONNECTOR HOUSING | GROMMET CAP | TPA | RIGHT SLIDE | LEFT SLIDE | MATE ASSIST LEVER | CPA | MAT SEAL | RING SEAL | BLOCKED TERMINALS | | | | | | | | | | | | | | | | STATUS | COMMENTS | INTEGRAL COMPONENTS SOLD SEPARATELY DRESS COVER | |
|--|----------------------|-------------------|-------------|--------|-------------|------------|-------------------|-----|----------|-----------|--|----|----|----|----|----|----|----|----|----|----|----|----|----|----|----------|----------|------------|---|----|
| | | | | | | | | | | | CAVITY WITH A NUMBER INDICATES BLOCKED TERMINAL POSITION CAVITY WITHOUT A NUMBER INDICATES OPEN TERMINAL POSITION | | | | | | | | | | | | | | | | | | | |
| | | | | | | | | | | | 1 | 2 | 3 | 4 | 5 | 6 | 7 | 8 | 9 | 10 | 11 | 12 | 13 | 14 | 15 | 16 | | | | 17 |
| SDC56 ASSY RCPT 56CKT BLU OPT 0 KEY G/44 | 1600990032 | C-HSG-G0 | G-CAP-0 | TPA-G0 | RS | LS | MAL | CPA | MSEAL | RSEAL | - | - | - | - | - | - | - | - | - | - | - | - | - | - | - | - | SALEABLE | | 1600995001 | |
| | | | | | | | | | | | - | - | - | - | - | - | - | - | - | - | - | - | - | - | - | - | | | | - |
| | | | | | | | | | | | 28 | 27 | - | - | 24 | 23 | - | - | - | - | 18 | 17 | 16 | 15 | - | - | | | | - |
| | | | | | | | | | | | - | - | - | - | 10 | 9 | - | - | - | - | 4 | 3 | - | - | - | - | | | | - |
| SDC56 ASSY RCPT 56CKT GRY OPT 0 KEY H/28 | 1600990033 | C-HSG-H0 | G-CAP-0 | TPA-H0 | RS | LS | MAL | CPA | MSEAL | RSEAL | 56 | 55 | - | - | - | - | 50 | 49 | 48 | 47 | - | - | - | - | - | - | SALEABLE | | 1600995001 | |
| | | | | | | | | | | | 42 | 41 | - | - | - | - | - | - | - | - | 32 | 31 | 30 | 29 | - | - | | | | - |
| | | | | | | | | | | | 28 | 27 | - | - | 24 | 23 | 22 | 21 | 20 | 19 | 18 | 17 | 16 | 15 | - | - | | | | - |
| | | | | | | | | | | | - | - | - | - | 10 | 9 | - | - | - | - | 4 | 3 | - | - | - | - | | | | - |
| SDC56 ASSY RCPT 56CKT BLU OPT 0 KEY G/42 | 1600990034 | C-HSG-G0 | G-CAP-0 | TPA-G0 | RS | LS | MAL | CPA | MSEAL | RSEAL | - | - | - | - | - | - | - | - | - | - | - | - | - | - | - | - | SALEABLE | | 1600995001 | |
| | | | | | | | | | | | - | - | - | - | - | - | - | - | - | - | 32 | 31 | 30 | 29 | - | - | | | | - |
| | | | | | | | | | | | - | - | - | - | - | - | 22 | 21 | 20 | 19 | 18 | 17 | 16 | 15 | - | - | | | | - |
| | | | | | | | | | | | - | - | - | - | - | - | - | - | - | - | 4 | 3 | - | - | - | - | | | | - |
| SDC56 ASSY RCPT 56CKT BLU OPT 9 KEY G/34 | 1600990035 | C-HSG-G9 | G-CAP-9 | TPA-G9 | RS | LS | MAL | CPA | MSEAL | RSEAL | - | - | - | - | - | - | 49 | 48 | - | - | 45 | - | - | - | - | - | SALEABLE | | 1600995001 | |
| | | | | | | | | | | | - | 41 | - | - | - | - | - | - | 34 | - | - | 31 | - | - | - | - | | | | |
| | | | | | | | | | | | - | - | - | - | 24 | 23 | 22 | 21 | 20 | 19 | 18 | 17 | 16 | 15 | - | - | | | | - |
| | | | | | | | | | | | - | - | - | - | - | - | - | - | 6 | 5 | 4 | 3 | 2 | 1 | - | - | | | | - |
| SDC56 ASSY RCPT 56CKT NAT OPT 0 KEY M/26 | 1600990036 | C-HSG-M0 | G-CAP-0 | TPA-M0 | RS | LS | MAL | CPA | MSEAL | RSEAL | - | - | - | - | - | 50 | 49 | 48 | 47 | 46 | 45 | 44 | 43 | - | - | - | SALEABLE | | 1600995001 | |
| | | | | | | | | | | | - | - | - | - | - | - | 36 | 35 | 34 | 33 | 32 | 31 | 30 | 29 | - | - | | | | - |
| | | | | | | | | | | | - | - | - | - | - | - | - | - | 20 | 19 | 18 | 17 | 16 | 15 | - | - | | | | - |
| | | | | | | | | | | | - | - | - | - | - | - | 8 | 7 | 6 | 5 | 4 | 3 | 2 | 1 | - | - | | | | - |
| SDC56 ASSY RCPT 56CKT BLK OPT 0 KEY J/46 | 1600990037 | C-HSG-J0 | G-CAP-0 | TPA-J0 | RS | LS | MAL | CPA | MSEAL | RSEAL | - | - | - | - | - | 50 | 49 | 48 | 47 | - | - | - | - | - | - | - | SALEABLE | | 1600995001 | |
| | | | | | | | | | | | - | - | - | - | - | 37 | 36 | - | - | - | - | - | - | - | - | - | | | | |
| | | | | | | | | | | | - | - | - | - | - | - | - | - | - | - | - | - | - | - | - | - | | | | - |
| | | | | | | | | | | | - | - | - | - | - | - | 8 | 7 | 6 | 5 | - | - | - | - | - | - | | | | - |
| SDC56 ASSY RCPT 56CKT BLU OPT 0 KEY G/34 | 1600990038 | C-HSG-G0 | G-CAP-0 | TPA-G0 | RS | LS | MAL | CPA | MSEAL | RSEAL | - | - | - | - | - | - | 49 | 48 | - | - | 45 | - | - | - | - | SALEABLE | | 1600995001 | | |
| | | | | | | | | | | | - | 41 | - | - | - | - | - | - | 34 | - | - | 31 | - | - | - | | | | - | |
| | | | | | | | | | | | - | - | - | - | 24 | 23 | 22 | 21 | 20 | 19 | 18 | 17 | 16 | 15 | - | | | | - | - |
| | | | | | | | | | | | - | - | - | - | - | - | - | - | 6 | 5 | 4 | 3 | 2 | 1 | - | | | | - | - |
| SDC56 ASSY RCPT 56CKT BLU OPT 0 KEY Z/56 | 1600991001 | C-HSG-Z0 | G-CAP-0 | TPA-Z0 | RS | LS | MAL | CPA | MSEAL | RSEAL | - | - | - | - | - | - | - | - | - | - | - | - | - | - | - | SALEABLE | | | | |
| | | | | | | | | | | | - | - | - | - | - | - | - | - | - | - | - | - | - | - | - | | | | - | |
| | | | | | | | | | | | - | - | - | - | - | - | - | - | - | - | - | - | - | - | - | | | | - | - |
| | | | | | | | | | | | - | - | - | - | - | - | - | - | - | - | - | - | - | - | - | | | | - | - |
| SDC56 ASSY RCPT 56CKT BLU OPT 9 KEY Z/56 | 1600991002 | C-HSG-Z9 | G-CAP-9 | TPA-Z9 | RS | LS | MAL | CPA | MSEAL | RSEAL | - | - | - | - | - | - | - | - | - | - | - | - | - | - | - | SALEABLE | | | | |
| | | | | | | | | | | | - | - | - | - | - | - | - | - | - | - | - | - | - | - | - | | | | - | |
| | | | | | | | | | | | - | - | - | - | - | - | - | - | - | - | - | - | - | - | - | | | | - | - |
| | | | | | | | | | | | - | - | - | - | - | - | - | - | - | - | - | - | - | - | - | | | | - | - |
| SDC56 ASSY RCPT 56CKT BLK OPT 0 KEY J/17 | 1600991003 | C-HSG-J0 | G-CAP-0 | TPA-J0 | RS | LS | MAL | CPA | MSEAL | RSEAL | 56 | 55 | - | - | - | - | 50 | 49 | 48 | 47 | 46 | 45 | 44 | 43 | - | - | SALEABLE | | 1600995001 | |
| | | | | | | | | | | | 42 | 41 | 40 | 39 | - | - | - | - | - | - | 32 | 31 | 30 | 29 | - | - | | | | |
| | | | | | | | | | | | 28 | 27 | 26 | - | 24 | 23 | 22 | 21 | 20 | 19 | 18 | 17 | 16 | 15 | - | - | | | | - |
| | | | | | | | | | | | - | - | - | - | 10 | 9 | 8 | 7 | 6 | 5 | 4 | 3 | - | - | - | - | | | | - |
| SDC56 ASSY RCPT 56CKT GRY OPT 0 KEY H/28 | 1600991004 | C-HSG-H0 | G-CAP-0 | TPA-H0 | RS | LS | MAL | CPA | MSEAL | RSEAL | 56 | 55 | - | - | - | - | 50 | 49 | 48 | 47 | - | - | - | - | - | - | SALEABLE | | 1600995001 | |
| | | | | | | | | | | | 42 | 41 | - | - | - | - | - | - | - | - | 32 | 31 | 30 | 29 | - | - | | | | |
| | | | | | | | | | | | 28 | 27 | - | - | 24 | 23 | 22 | 21 | 20 | 19 | 18 | 17 | 16 | 15 | - | - | | | | - |
| | | | | | | | | | | | - | - | - | - | 10 | 9 | - | - | - | - | 4 | 3 | - | - | - | - | | | | - |
| SDC56 ASSY RCPT 56CKT BLU OPT 0 KEY G/30 | 1600991005 | C-HSG-G0 | G-CAP-0 | TPA-G0 | RS | LS | MAL | CPA | MSEAL | RSEAL | - | - | - | - | 52 | - | - | 49 | 48 | - | - | 45 | - | - | - | - | SALEABLE | | 1600995001 | |
| | | | | | | | | | | | - | 41 | 40 | - | - | 37 | - | 35 | 34 | - | - | 31 | - | - | - | - | | | | |
| | | | | | | | | | | | - | - | - | - | 24 | 23 | 22 | 21 | 20 | 19 | 18 | 17 | 16 | 15 | - | - | | | | - |
| | | | | | | | | | | | - | - | - | - | - | - | - | - | 6 | 5 | 4 | 3 | 2 | 1 | - | - | | | | - |

| ASSEMBLY DESCRIPTION | ASSEMBLY PART NUMBER | CONNECTOR HOUSING | GROMMET CAP | TPA | RIGHT SLIDE | LEFT SLIDE | MATE ASSIST LEVER | CPA | MAT SEAL | RING SEAL | BLOCKED TERMINALS | | | | | | | | | | | | | | | | STATUS | COMMENTS | INTEGRAL COMPONENTS SOLD SEPARATELY DRESS COVER |
|--|----------------------|-------------------|-------------|--------|-------------|------------|-------------------|-----|----------|-----------|--|----|----|----|----|----|----|----|----|----|----|----|----|----------|----------|------------|------------|----------|---|
| | | | | | | | | | | | CAVITY WITH A NUMBER INDICATES BLOCKED TERMINAL POSITION CAVITY WITHOUT A NUMBER INDICATES OPEN TERMINAL POSITION | | | | | | | | | | | | | | | | | | |
| | | | | | | | | | | | - | - | - | - | - | - | - | - | - | - | - | - | - | - | - | - | | | |
| SDC56 ASSY RCPT 56CKT BLU OPT 0 KEY G/40 | 1600991006 | C-HSG-G0 | G-CAP-0 | TPA-G0 | RS | LS | MAL | CPA | MSEAL | RSEAL | - | - | - | - | - | - | - | - | - | - | - | - | - | - | - | - | SALEABLE | | 1600995001 |
| | | | | | | | | | | | 28 | 27 | - | - | 24 | 23 | 22 | 21 | 20 | 19 | 18 | 17 | 16 | 15 | | | | | |
| | | | | | | | | | | | - | - | - | - | 10 | 9 | - | - | - | - | 4 | 3 | - | - | | | | | |
| | | | | | | | | | | | - | - | - | - | - | - | - | - | - | - | - | - | - | - | | | | | |
| SDC56 ASSY RCPT 56CKT BLK OPT 0 KEY J/19 | 1600991007 | C-HSG-J0 | G-CAP-0 | TPA-J0 | RS | LS | MAL | CPA | MSEAL | RSEAL | - | - | - | - | - | - | 50 | 49 | 48 | 47 | 46 | 45 | 44 | 43 | SALEABLE | | 1600995001 | | |
| | | | | | | | | | | | - | - | - | - | - | - | 36 | 35 | 34 | 33 | 32 | 31 | 30 | 29 | | | | | |
| | | | | | | | | | | | - | - | 26 | - | 24 | - | 22 | 21 | 20 | 19 | 18 | 17 | 16 | 15 | | | | | |
| | | | | | | | | | | | - | - | - | 11 | 10 | 9 | 8 | 7 | 6 | 5 | 4 | 3 | 2 | 1 | | | | | |
| SDC56 ASSY RCPT 56CKT BLU OPT 0 KEY G/30 | 1600991008 | C-HSG-G0 | G-CAP-0 | TPA-G0 | RS | LS | MAL | CPA | MSEAL | RSEAL | - | - | - | - | - | 51 | 50 | 49 | 48 | - | - | 45 | - | - | SALEABLE | | 1600995001 | | |
| | | | | | | | | | | | - | 41 | - | - | - | - | 36 | 35 | 34 | - | - | 31 | - | - | | | | | |
| | | | | | | | | | | | - | - | - | - | 24 | 23 | 22 | 21 | 20 | 19 | 18 | 17 | 16 | 15 | | | | | |
| | | | | | | | | | | | - | - | - | - | - | - | - | - | 6 | 5 | 4 | 3 | 2 | 1 | | | | | |
| SDC56 ASSY RCPT 56CKT BLK OPT 0 KEY J/19 | 1600991009 | C-HSG-J0 | G-CAP-0 | TPA-J0 | RS | LS | MAL | CPA | MSEAL | RSEAL | - | - | - | - | 52 | 51 | 50 | 49 | 48 | 47 | 46 | 45 | 44 | 43 | SALEABLE | | 1600995001 | | |
| | | | | | | | | | | | - | - | - | - | 38 | 37 | 36 | 35 | 34 | 33 | - | - | 30 | 29 | | | | | |
| | | | | | | | | | | | - | - | 26 | - | 24 | - | 22 | 21 | 20 | 19 | 18 | 17 | - | - | | | | | |
| | | | | | | | | | | | - | - | - | 11 | 10 | 9 | 8 | 7 | 6 | 5 | 4 | 3 | 2 | 1 | | | | | |
| SDC56 ASSY RCPT 56CKT BLU OPT 0 KEY G/39 | 1600991010 | C-HSG-G0 | G-CAP-0 | TPA-G0 | RS | LS | MAL | CPA | MSEAL | RSEAL | - | - | - | - | 52 | 51 | 50 | - | - | - | 46 | 45 | - | 43 | SALEABLE | | 1600995001 | | |
| | | | | | | | | | | | - | - | - | - | - | - | - | - | - | 33 | - | - | - | - | | | | | |
| | | | | | | | | | | | 28 | 27 | 26 | - | - | - | - | 21 | - | - | 18 | 17 | - | - | | | | | |
| | | | | | | | | | | | 14 | 13 | 12 | - | - | - | - | - | - | - | - | 3 | - | - | | | | | |
| SDC56 ASSY RCPT 56CKT BLK OPT 9 KEY J/30 | 1600991011 | C-HSG-J9 | G-CAP-9 | TPA-J9 | RS | LS | MAL | CPA | MSEAL | RSEAL | - | - | - | - | - | 51 | 50 | 49 | 48 | - | - | 45 | - | - | SALEABLE | | 1600995001 | | |
| | | | | | | | | | | | - | 41 | - | - | - | - | 36 | 35 | 34 | - | - | 31 | - | - | | | | | |
| | | | | | | | | | | | - | - | - | - | 24 | 23 | 22 | 21 | 20 | 19 | 18 | 17 | 16 | 15 | | | | | |
| | | | | | | | | | | | - | - | - | - | - | - | - | - | 6 | 5 | 4 | 3 | 2 | 1 | | | | | |
| SDC56 ASSY RCPT 56CKT BLU OPT 0 KEY G/17 | 1600991012 | C-HSG-G0 | G-CAP-0 | TPA-G0 | RS | LS | MAL | CPA | MSEAL | RSEAL | 56 | 55 | 54 | 53 | - | - | - | 49 | 48 | 47 | - | - | 44 | - | SALEABLE | | 1600995001 | | |
| | | | | | | | | | | | 42 | 41 | 40 | 39 | 38 | 37 | 36 | 35 | 34 | - | 32 | 31 | 30 | 29 | | | | | |
| | | | | | | | | | | | - | - | - | 25 | 24 | 23 | 22 | - | 20 | 19 | - | - | 16 | 15 | | | | | |
| | | | | | | | | | | | - | - | - | 11 | 10 | 9 | 8 | 7 | 6 | 5 | 4 | - | 2 | 1 | | | | | |
| SDC56 ASSY RCPT 56CKT BLK OPT 0 KEY J/22 | 1600991013 | C-HSG-J0 | G-CAP-0 | TPA-J0 | RS | LS | MAL | CPA | MSEAL | RSEAL | - | - | - | - | - | 50 | 49 | 48 | 47 | 46 | 45 | 44 | 43 | SALEABLE | | 1600995001 | | | |
| | | | | | | | | | | | - | - | - | - | - | - | 36 | 35 | 34 | 33 | 32 | 31 | 30 | | | | 29 | | |
| | | | | | | | | | | | - | - | 26 | - | - | - | 22 | 21 | 20 | 19 | 18 | 17 | 16 | | | | 15 | | |
| | | | | | | | | | | | - | - | - | - | - | 9 | 8 | 7 | 6 | 5 | 4 | 3 | 2 | | | | 1 | | |
| SDC56 ASSY RCPT 56CKT BLU OPT 0 KEY G/42 | 1600991014 | C-HSG-G0 | G-CAP-0 | TPA-G0 | RS | LS | MAL | CPA | MSEAL | RSEAL | - | - | - | - | 52 | 51 | 50 | - | - | - | - | - | - | - | SALEABLE | | 1600995001 | | |
| | | | | | | | | | | | - | 41 | 40 | - | - | 37 | - | - | 34 | - | - | 31 | - | - | | | | | |
| | | | | | | | | | | | - | - | - | - | - | - | - | - | - | - | 18 | 17 | 16 | 15 | | | | | |
| | | | | | | | | | | | - | - | - | - | - | - | - | - | - | - | - | - | 2 | 1 | | | | | |
| SDC56 ASSY RCPT 56CKT GRY OPT 0 KEY H/42 | 1600991015 | C-HSG-H0 | G-CAP-0 | TPA-H0 | RS | LS | MAL | CPA | MSEAL | RSEAL | - | - | - | - | 52 | 51 | 50 | - | - | - | - | - | - | - | SALEABLE | | 1600995001 | | |
| | | | | | | | | | | | - | 41 | 40 | - | - | 37 | - | - | 34 | - | - | 31 | - | - | | | | | |
| | | | | | | | | | | | - | - | - | - | - | - | - | - | - | - | 18 | 17 | 16 | 15 | | | | | |
| | | | | | | | | | | | - | - | - | - | - | - | - | - | 6 | 5 | - | - | - | - | | | | | |
| SDC56 ASSY RCPT 56CKT BLU OPT 0 KEY G/41 | 1600991016 | C-HSG-G0 | G-CAP-0 | TPA-G0 | RS | LS | MAL | CPA | MSEAL | RSEAL | - | - | - | - | 52 | 51 | 50 | - | - | - | - | 45 | - | - | SALEABLE | | 1600995001 | | |
| | | | | | | | | | | | - | 41 | 40 | - | - | 37 | - | - | 34 | - | - | 31 | - | - | | | | | |
| | | | | | | | | | | | - | - | - | - | - | - | - | - | - | - | 18 | 17 | 16 | 15 | | | | | |
| | | | | | | | | | | | - | - | - | - | - | - | - | - | - | - | - | - | 2 | 1 | | | | | |
| SDC56 ASSY RCPT 56CKT GRY OPT 0 KEY H/46 | 1600991017 | C-HSG-H0 | G-CAP-0 | TPA-H0 | RS | LS | MAL | CPA | MSEAL | RSEAL | - | - | - | - | - | - | - | - | 48 | 47 | - | - | - | - | SALEABLE | | 1600995001 | | |
| | | | | | | | | | | | - | - | - | - | - | - | - | - | - | - | 32 | 31 | - | - | | | | | |
| | | | | | | | | | | | - | - | - | - | - | - | - | - | - | - | 18 | 17 | 16 | 15 | | | | | |
| | | | | | | | | | | | - | - | - | - | - | - | - | - | 6 | 5 | - | - | - | - | | | | | |

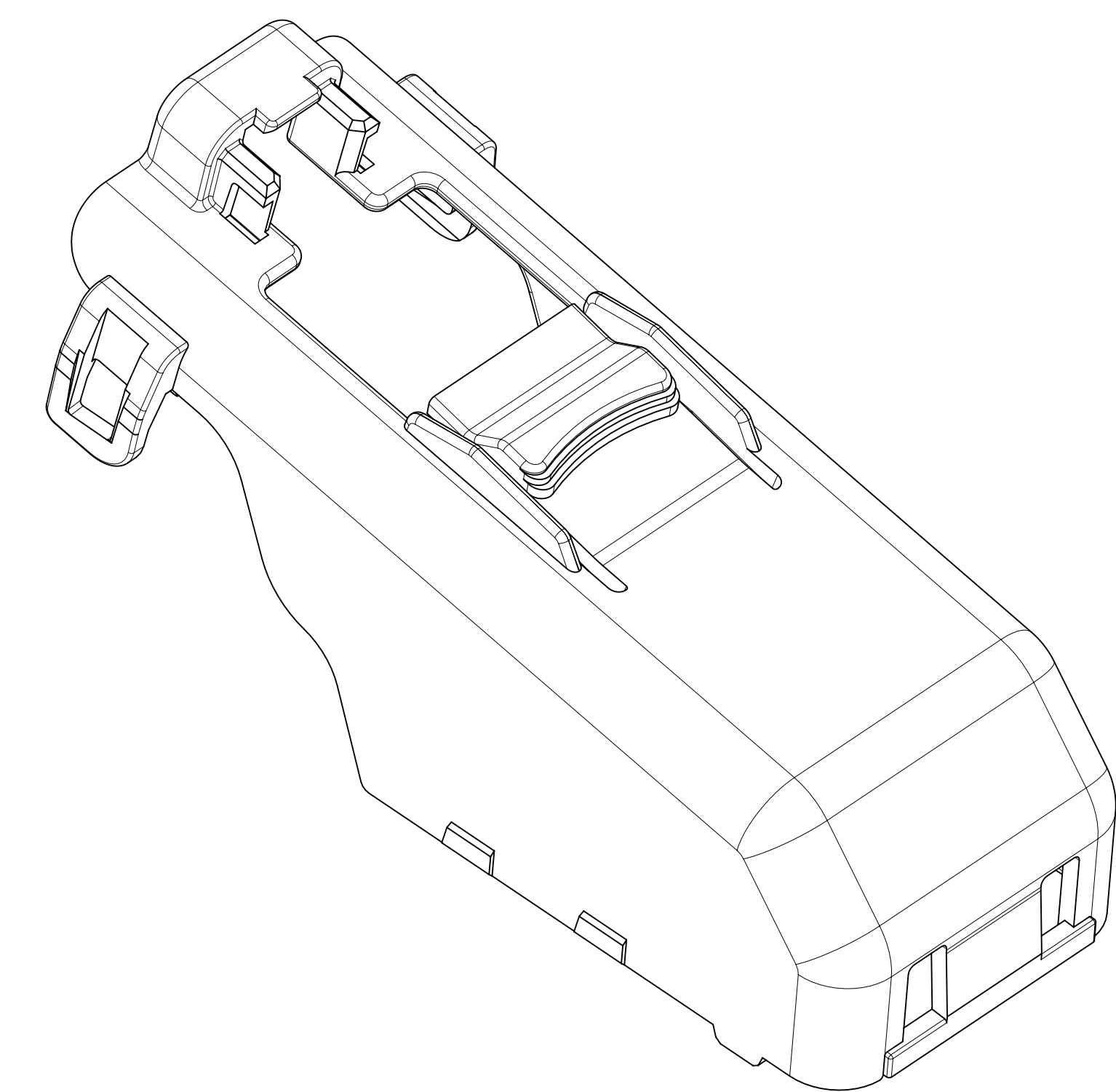
| ASSEMBLY DESCRIPTION | ASSEMBLY PART NUMBER | CONNECTOR HOUSING | GROMMET CAP | TPA | RIGHT SLIDE | LEFT SLIDE | MATE ASSIST LEVER | CPA | MAT SEAL | RING SEAL | BLOCKED TERMINALS | | | | | | | | STATUS | COMMENTS | INTEGRAL COMPONENTS SOLD SEPARATELY DRESS COVER | | | | | | | | |
|--|----------------------|-------------------|-------------|--------|-------------|------------|-------------------|-----|----------|-----------|--|----|----|----|----|----|----|----|--------|----------|---|--|----|----------|----------|------------|------------|----|----|
| | | | | | | | | | | | CAVITY WITH A NUMBER INDICATES BLOCKED TERMINAL POSITION | | | | | | | | | | | CAVITY WITHOUT A NUMBER INDICATES OPEN TERMINAL POSITION | | | | | | | |
| | | | | | | | | | | | 1 | 2 | 3 | 4 | 5 | 6 | 7 | 8 | | | | 9 | 10 | 11 | 12 | 13 | 14 | 15 | 16 |
| SDC56 ASSY RCPT 56CKT BLK OPT 0 KEY J/33 | 1600991030 | C-HSG-J0 | G-CAP-0 | TPA-J0 | RS | LS | MAL | CPA | MSEAL | RSEAL | - | - | - | - | - | 50 | 49 | 48 | 47 | - | - | 44 | 43 | SALEABLE | | 1600995001 | | | |
| | | | | | | | | | | | - | - | - | - | - | - | 36 | 35 | - | - | - | - | 30 | | | | 29 | | |
| | | | | | | | | | | | - | - | - | - | 24 | - | 22 | 21 | - | - | 18 | 17 | 16 | | | | 15 | | |
| | | | | | | | | | | | - | - | - | - | - | - | 8 | 7 | 6 | 5 | - | - | 2 | | | | 1 | | |
| SDC56 ASSY RCPT 56CKT BLU OPT 0 KEY G/25 | 1600991031 | C-HSG-G0 | G-CAP-0 | TPA-G0 | RS | LS | MAL | CPA | MSEAL | RSEAL | - | - | 54 | 53 | 52 | 51 | 50 | 49 | 48 | - | - | 45 | - | - | SALEABLE | | 1600995001 | | |
| | | | | | | | | | | | - | 41 | 40 | - | - | 37 | 36 | 35 | 34 | - | - | 31 | - | - | | | | | |
| | | | | | | | | | | | - | - | - | - | 24 | 23 | 22 | 21 | 20 | 19 | 18 | 17 | 16 | 15 | | | | | |
| | | | | | | | | | | | - | - | - | - | - | - | - | - | 6 | 5 | 4 | 3 | 2 | 1 | | | | | |
| SDC56 ASSY RCPT 56CKT BLU OPT 9 KEY G/29 | 1600991032 | C-HSG-G9 | G-CAP-9 | TPA-G9 | RS | LS | MAL | CPA | MSEAL | RSEAL | - | - | - | - | 52 | - | - | 49 | 48 | - | - | 45 | - | - | SALEABLE | | 1600995001 | | |
| | | | | | | | | | | | - | 41 | 40 | - | - | 37 | 36 | 35 | 34 | - | - | 31 | - | - | | | | | |
| | | | | | | | | | | | - | - | - | - | 24 | 23 | 22 | 21 | 20 | 19 | 18 | 17 | 16 | 15 | | | | | |
| | | | | | | | | | | | - | - | - | - | - | - | - | - | 6 | 5 | 4 | 3 | 2 | 1 | | | | | |
| SDC56 ASSY RCPT 56CKT BLU OPT 0 KEY G/30 | 1600991033 | C-HSG-G0 | G-CAP-0 | TPA-G0 | RS | LS | MAL | CPA | MSEAL | RSEAL | 56 | 55 | 54 | - | 52 | 51 | 50 | 49 | - | 47 | - | - | - | - | SALEABLE | | 1600995001 | | |
| | | | | | | | | | | | 42 | 41 | 40 | 39 | 38 | 37 | 36 | 35 | - | - | 32 | 31 | 30 | - | | | | | |
| | | | | | | | | | | | - | - | 26 | 25 | 24 | - | - | - | - | 19 | 18 | - | - | - | | | | | |
| | | | | | | | | | | | - | - | - | - | - | - | - | - | - | - | - | - | 2 | 1 | | | | | |
| SDC56 ASSY RCPT 56CKT BLK OPT 0 KEY J/34 | 1600991034 | C-HSG-J0 | G-CAP-0 | TPA-J0 | RS | LS | MAL | CPA | MSEAL | RSEAL | - | - | - | - | - | 50 | 49 | 48 | 47 | - | - | 44 | 43 | SALEABLE | | 1600995001 | | | |
| | | | | | | | | | | | - | - | - | - | - | - | 36 | 35 | - | - | 32 | 31 | 30 | | | | 29 | | |
| | | | | | | | | | | | - | - | 26 | - | - | - | 22 | 21 | 20 | 19 | - | - | - | | | | - | | |
| | | | | | | | | | | | - | - | - | - | - | 9 | 8 | 7 | 6 | 5 | - | - | - | | | | - | | |
| SDC56 ASSY RCPT 56CKT BLU OPT 0 KEY G/41 | 1600991035 | C-HSG-G0 | G-CAP-0 | TPA-G0 | RS | LS | MAL | CPA | MSEAL | RSEAL | - | - | - | - | - | 51 | 50 | - | - | - | 46 | - | - | - | SALEABLE | | 1600995001 | | |
| | | | | | | | | | | | - | 41 | - | - | 38 | - | 36 | - | 34 | 33 | - | - | - | - | | | | | |
| | | | | | | | | | | | - | - | - | 25 | - | - | - | - | - | - | 18 | - | - | - | | | | | |
| | | | | | | | | | | | - | 13 | 12 | 11 | 10 | 9 | - | - | - | - | - | - | - | - | | | | | |
| SDC56 ASSY RCPT 56CKT BLU OPT 0 KEY G/31 | 1600991036 | C-HSG-G0 | G-CAP-0 | TPA-G0 | RS | LS | MAL | CPA | MSEAL | RSEAL | - | 55 | - | 53 | 52 | 51 | 50 | 49 | 48 | 47 | - | - | 44 | - | SALEABLE | | 1600995001 | | |
| | | | | | | | | | | | - | 41 | - | - | 38 | - | 36 | - | - | - | 32 | 31 | 30 | - | | | | | |
| | | | | | | | | | | | - | 27 | 26 | 25 | 24 | - | - | - | - | 19 | 18 | - | - | - | | | | | |
| | | | | | | | | | | | - | - | - | - | - | - | - | - | - | 5 | 4 | 3 | 2 | - | | | | | |
| SDC56 ASSY RCPT 56CKT BLU OPT 0 KEY G/28 | 1600991037 | C-HSG-G0 | G-CAP-0 | TPA-G0 | RS | LS | MAL | CPA | MSEAL | RSEAL | - | - | - | - | 52 | 51 | 50 | 49 | 48 | - | - | 45 | - | - | SALEABLE | | 1600995001 | | |
| | | | | | | | | | | | - | 41 | 40 | - | - | 37 | 36 | - | 34 | - | - | 31 | - | - | | | | | |
| | | | | | | | | | | | - | - | - | - | 24 | 23 | 22 | 21 | 20 | 19 | 18 | 17 | 16 | 15 | | | | | |
| | | | | | | | | | | | - | - | - | - | - | - | - | - | 6 | 5 | 4 | 3 | 2 | 1 | | | | | |
| SDC56 ASSY RCPT 56CKT BLU OPT 0 KEY G/42 | 1600991038 | C-HSG-G0 | G-CAP-0 | TPA-G0 | RS | LS | MAL | CPA | MSEAL | RSEAL | - | - | - | - | - | 51 | 50 | - | - | - | 46 | - | - | - | SALEABLE | | 1600995001 | | |
| | | | | | | | | | | | - | 41 | - | - | 38 | - | 36 | - | 34 | 33 | - | - | - | - | | | | | |
| | | | | | | | | | | | - | - | - | 25 | - | - | - | - | - | - | 18 | - | - | - | | | | | |
| | | | | | | | | | | | - | - | 12 | 11 | 10 | 9 | - | - | - | - | - | - | - | - | | | | | |
| SDC56 ASSY RCPT 56CKT BLU OPT 0 KEY G/32 | 1600991039 | C-HSG-G0 | G-CAP-0 | TPA-G0 | RS | LS | MAL | CPA | MSEAL | RSEAL | - | 55 | - | 53 | 52 | 51 | 50 | 49 | 48 | 47 | - | - | 44 | - | SALEABLE | | 1600995001 | | |
| | | | | | | | | | | | - | 41 | - | - | 38 | - | 36 | - | - | - | 32 | 31 | 30 | - | | | | | |
| | | | | | | | | | | | - | - | 26 | 25 | 24 | - | - | - | - | 19 | 18 | - | - | - | | | | | |
| | | | | | | | | | | | - | - | - | - | - | - | - | - | - | 5 | 4 | 3 | 2 | - | | | | | |
| SDC56 ASSY RCPT 56CKT BLK OPT 0 KEY J/23 | 1600991040 | C-HSG-J0 | G-CAP-0 | TPA-J0 | RS | LS | MAL | CPA | MSEAL | RSEAL | - | - | - | - | - | 50 | 49 | 48 | 47 | 46 | 45 | 44 | 43 | SALEABLE | | 1600995001 | | | |
| | | | | | | | | | | | - | - | - | - | - | - | 36 | 35 | 34 | 33 | 32 | 31 | 30 | | | | 29 | | |
| | | | | | | | | | | | - | - | - | - | 24 | - | 22 | 21 | 20 | 19 | 18 | 17 | 16 | | | | 15 | | |
| | | | | | | | | | | | - | - | - | - | - | - | 8 | 7 | 6 | 5 | 4 | 3 | 2 | | | | 1 | | |
| SDC56 ASSY RCPT 56CKT NAT OPT 0 KEY M/19 | 1600991041 | C-HSG-M0 | G-CAP-0 | TPA-M0 | RS | LS | MAL | CPA | MSEAL | RSEAL | - | - | - | - | 52 | 51 | 50 | 49 | 48 | 47 | 46 | 45 | 44 | 43 | SALEABLE | | 1600995001 | | |
| | | | | | | | | | | | - | - | - | - | 38 | 37 | 36 | 35 | 34 | 33 | 32 | 31 | 30 | 29 | | | | | |
| | | | | | | | | | | | - | - | - | - | 24 | - | 22 | 21 | 20 | 19 | 18 | 17 | 16 | 15 | | | | | |
| | | | | | | | | | | | - | - | - | - | - | - | 8 | 7 | 6 | 5 | 4 | 3 | 2 | 1 | | | | | |

| TABLE OF CONTENTS | |
|-------------------|----------------------|
| SHEET NO. | SHEET DESCRIPTION |
| 1 | NOTES AND BOM |
| 2 | DATUM TARGETS TYPE 2 |
| 3 | DATUM TARGETS TYPE 1 |

| BILL OF MATERIALS (BOM) | | | | | |
|-------------------------|-----------------|-------------|--------|---------------|------------|
| TYPE | DESCRIPTION | PART NUMBER | COLOR | MATERIAL | STATUS |
| 1 | ALL CKT, YELLOW | 1600995001 | YELLOW | PBT, G.F. 30% | SALEABLE |
| 2 | ALL CKT, YELLOW | 1600995007 | YELLOW | PBT, G.F. 30% | OK TO TOOL |



TYPE 1



TYPE 2

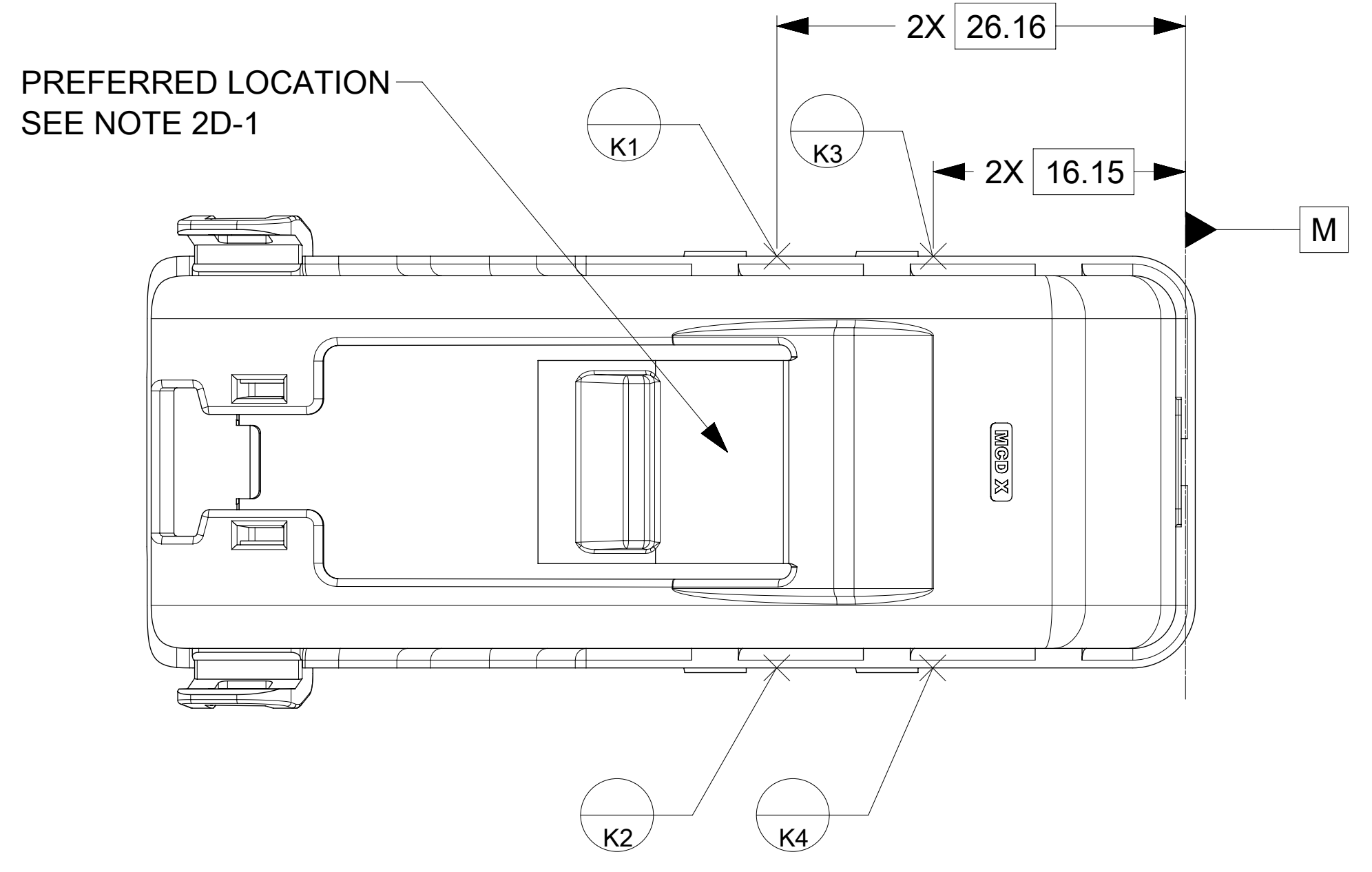
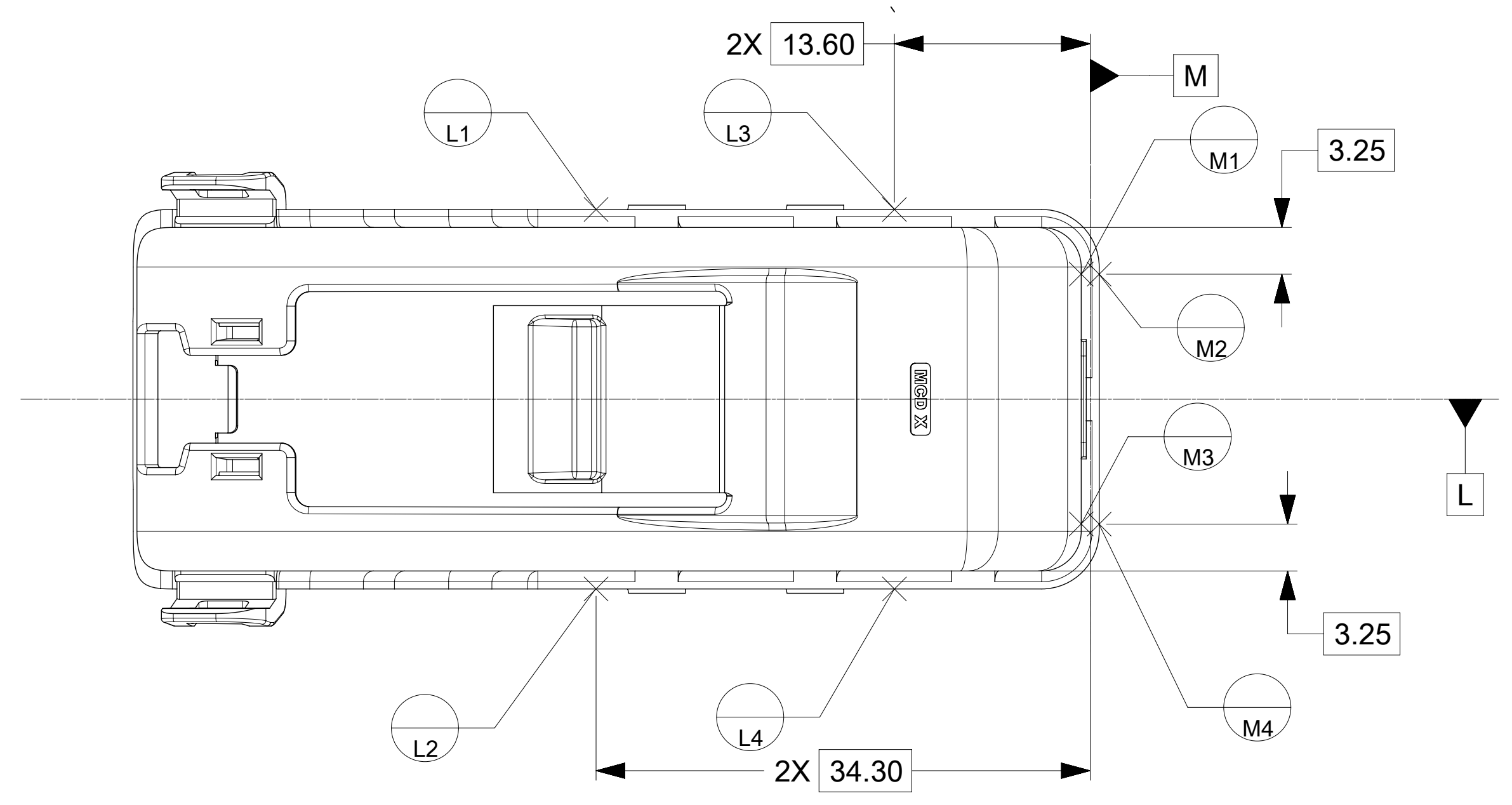
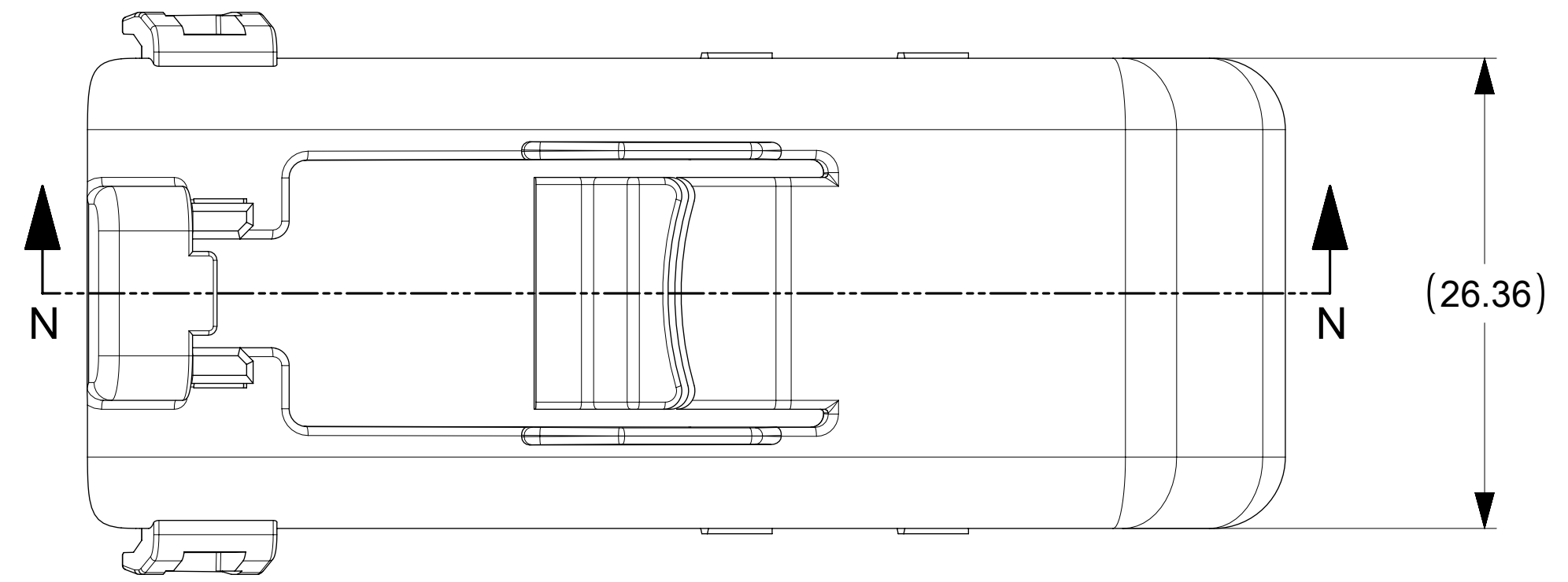
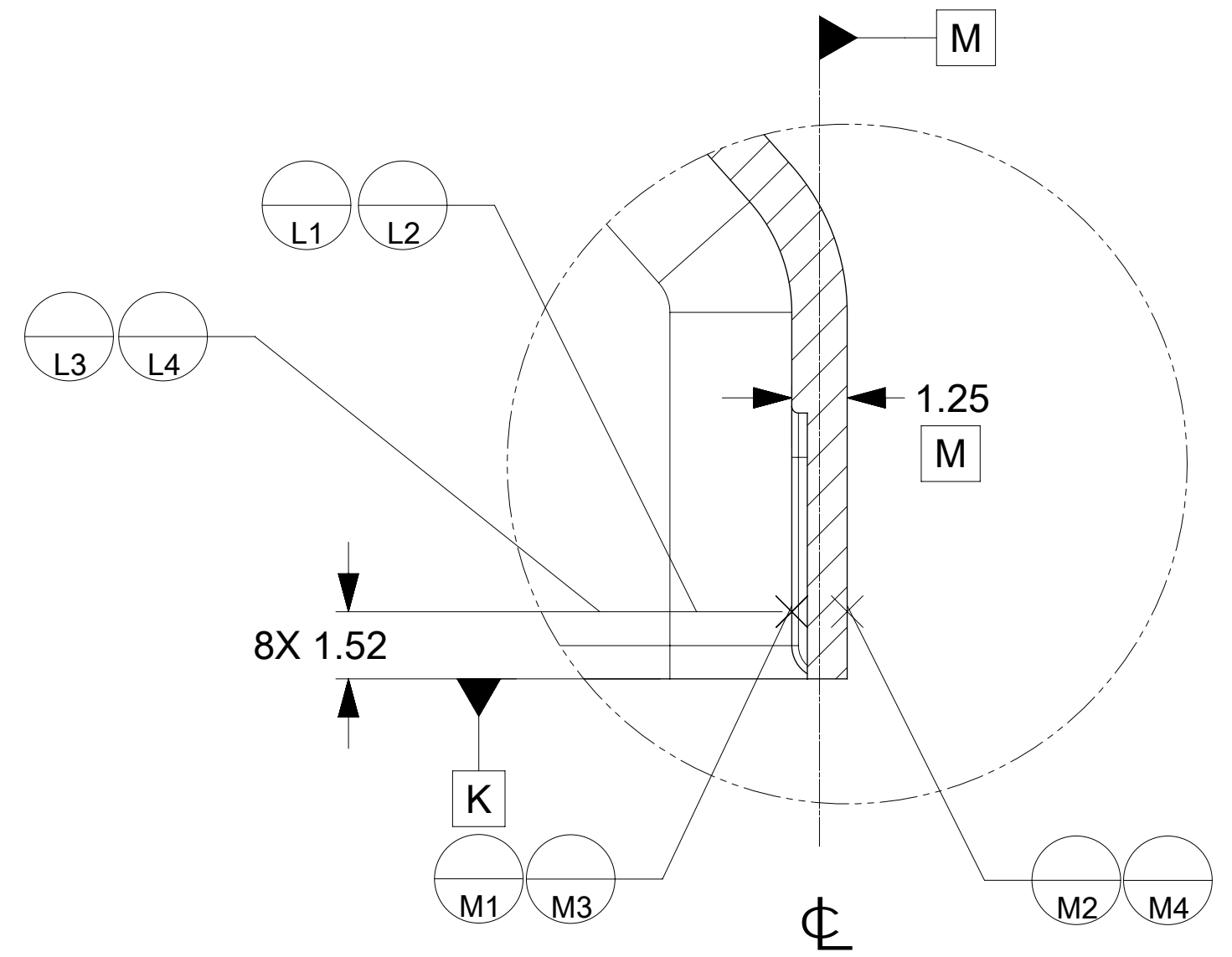
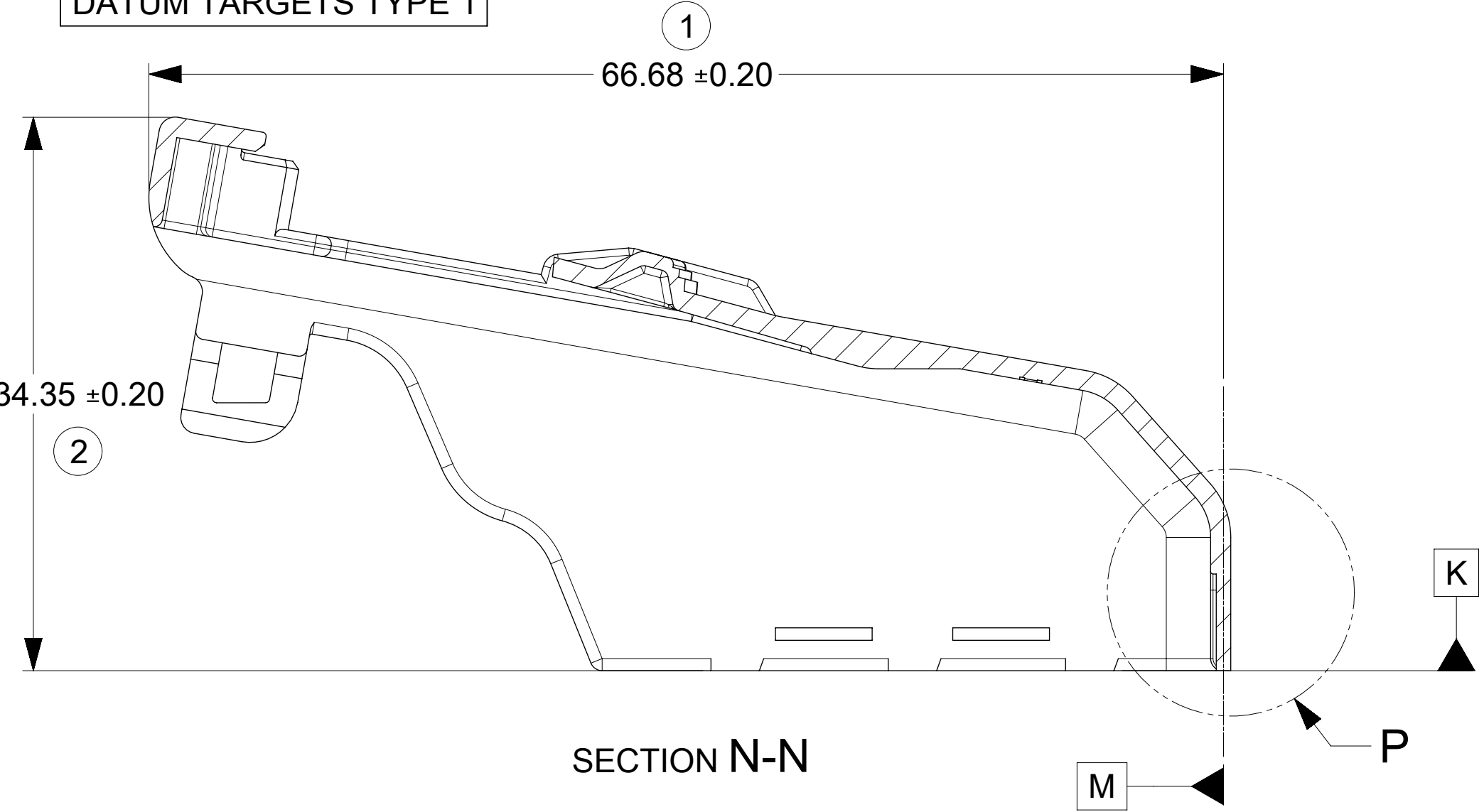
NOTES: VALID UNLESS OTHERWISE SPECIFIED

1. GENERAL:
 - a. APPLICATION SPECIFICATION SEE: AS-34566-001
-CONTAINS: PRODUCT INTRODUCTION, PRODUCT SUMMARY, CONNECTOR ASSEMBLY, PACKAGING INFORMATION, CONNECTOR MATING, SERVICE INSTRUCTIONS, ELECTRICAL CONTINUITY CHECKING, CRIMPING, AND TROUBLESHOOTING.
 - b. PRODUCT SPECIFICATION SEE: 1600990001-PS
CONTAINS: PRODUCT INTRODUCTION, PRODUCT SUMMARY, RATINGS (CURRENT, TEMPERATURE, AND FLAMMABILITY), AND PRODUCT VALIDATION.
 - c. PACKAGING SPECIFICATION PER MOLEX DRAWING: PK-31300-180
 - d. PARTS MUST BE IN COMPLIANCE TO MOLEX CHEMICAL SUBSTANCES FOR PRODUCTS AND PACKAGING SPECIFICATION: QEHS-699000-300
 - e. DATA MUST BE SUBMITTED UNDER THE MOLEX PART NUMBER TO IMDS (COMPANY ID#13255)
2. DESIGN - MATERIALS:
 - a. SEE BOM TABLE / REGRIND 30% MAX BY WEIGHT
3. DESIGN - GEOMETRY:
 - a. ALL GRAPHIC DATA IS BASIC (NO TOLERANCE) AND MUST BE TAKEN FROM THE DATA FILE AT ITS LATEST REVISION.
 - b. GEOMETRIC DIMENSIONS AND TOLERANCES PER ASME Y14.5M-2009
 - c. GENERAL TOLERANCES:
 - LINEAR:
 - X.X ±0.30
 - X.XX ±0.10
 - X.XXX ±0.10
 - ANGULAR X° ±3°
 - d. EDGES AND UNDIMENSIONED DETAILS PER ISO13715
 - e. CORNERS SHOWN AS SHARP TO BE R 0.2 MAX.
 - f. LETTERING SHALL BE 0.15 MAX RAISED IN 0.25 MAX RECESS PAD.
THIS INCLUDES RECYCLING CODE, CAVITY ID, VENDOR IDENTIFICATION, AND CUSTOMER MATERIAL NUMBER.
 - g. VISUAL DEFECTS SHALL MEET COSMETIC STANDARD PS-45499-002 (Class B).
 - h. LASER MARKING: N/A

| | |
|-----|--|
| A6 | UPDATED DESIGN FOR TYPE 2 |
| A5 | ADD P/N 1600995007 |
| A4 | CHANGED THE DOC TYPE TO GENERAL MARKET |
| A3 | ADDED BALLOON NUMBERS |
| A2 | UPDATED TOLERANCES BASED ON DIMENSIONAL REPORT |
| A1 | PRODUCTION RELEASE |
| A | PRE-PRODUCTION RELEASE |
| 1 | INITIAL RELEASE |
| REV | DESCRIPTION |

| | | | | | |
|--|---|--|---|------------------------------|--|
| QUALITY SYMBOLS ▽ = 0 ▽ = 0 ▽ = 0 ▽ = 0 ▽ = 0 ▽ = 0 ▽ = 0 ▽ = 0 ▽ = 0 | THIS DRAWING CONTAINS INFORMATION THAT IS PROPRIETARY TO MOLEX ELECTRONIC TECHNOLOGIES, LLC AND SHOULD NOT BE USED WITHOUT WRITTEN PERMISSION | | DIMENSION UNITS mm | SCALE 4:1 | |
| | EC NO: 685152 DRWN: HKANG03 CHKD: STTAN REV APPR: STTAN | 2021/11/16 2021/11/16 2021/11/16 | GENERAL TOLERANCES (UNLESS SPECIFIED) ANGULAR TOL ± ° 4 PLACES ± 3 PLACES ± 2 PLACES ± 1 PLACE ± 0 PLACES ± DRAFT WHERE APPLICABLE MUST REMAIN WITHIN DIMENSIONS | DRWN BY APODDATURI | |
| | | DRWN BY SKRAJENDRANA | DATE 2017/01/20 | | PRODUCT CUSTOMER DRAWING |
| | | DRWN BY VKOSHY | DATE 2017/01/20 | | |
| | | DRAWING SIZE: D THIRD ANGLE PROJECTION | | | DOCUMENT NUMBER: 1600995001-SD DOC TYPE: PSD DOC PART: 000 SHEET NUMBER: 1 OF 3 |

SHEET DESCRIPTION
DATUM TARGETS TYPE 1



| | | | | | |
|--|---|--|---|--|--|
| QUALITY SYMBOLS F = 0 E = 0 D = 0 C = 0 B = 0 A = 0 1 = 0 2 = 0 3 = 0 4 = 0 | THIS DRAWING CONTAINS INFORMATION THAT IS PROPRIETARY TO MOLEX ELECTRONIC TECHNOLOGIES, LLC AND SHOULD NOT BE USED WITHOUT WRITTEN PERMISSION | | | | |
| | EC NO: 685152 DRWN: HKANG03 CHKD: STTAN REV APPR: STTAN | 2021/11/16 2021/11/16 2021/11/16 | GENERAL TOLERANCES (UNLESS SPECIFIED) ANGULAR TOL ± ° 4 PLACES ± 3 PLACES ± 2 PLACES ± 1 PLACE ± 0 PLACES ± DRAFT WHERE APPLICABLE MUST REMAIN WITHIN DIMENSIONS | DIMENSION UNITS: mm SCALE: 2:1 DRWN BY: APODDATURI DATE: 2017/01/20 CHKD BY: SKRAJENDRANA DATE: 2017/01/20 APPR BY: VKOSHY DATE: 2017/01/20 | |
| | PRODUCT CUSTOMER DRAWING | | SERIES: 160099 MATERIAL NUMBER: 1600995001-SD CUSTOMER: PSD 000 | SDC56 56CKT DRESS COVER | |
| | A6 | D | THIRD ANGLE PROJECTION | DOCUMENT NUMBER: 1600995001-SD DOC TYPE: PSD DOC PART: 000 SHEET NUMBER: 3 OF 3 | |