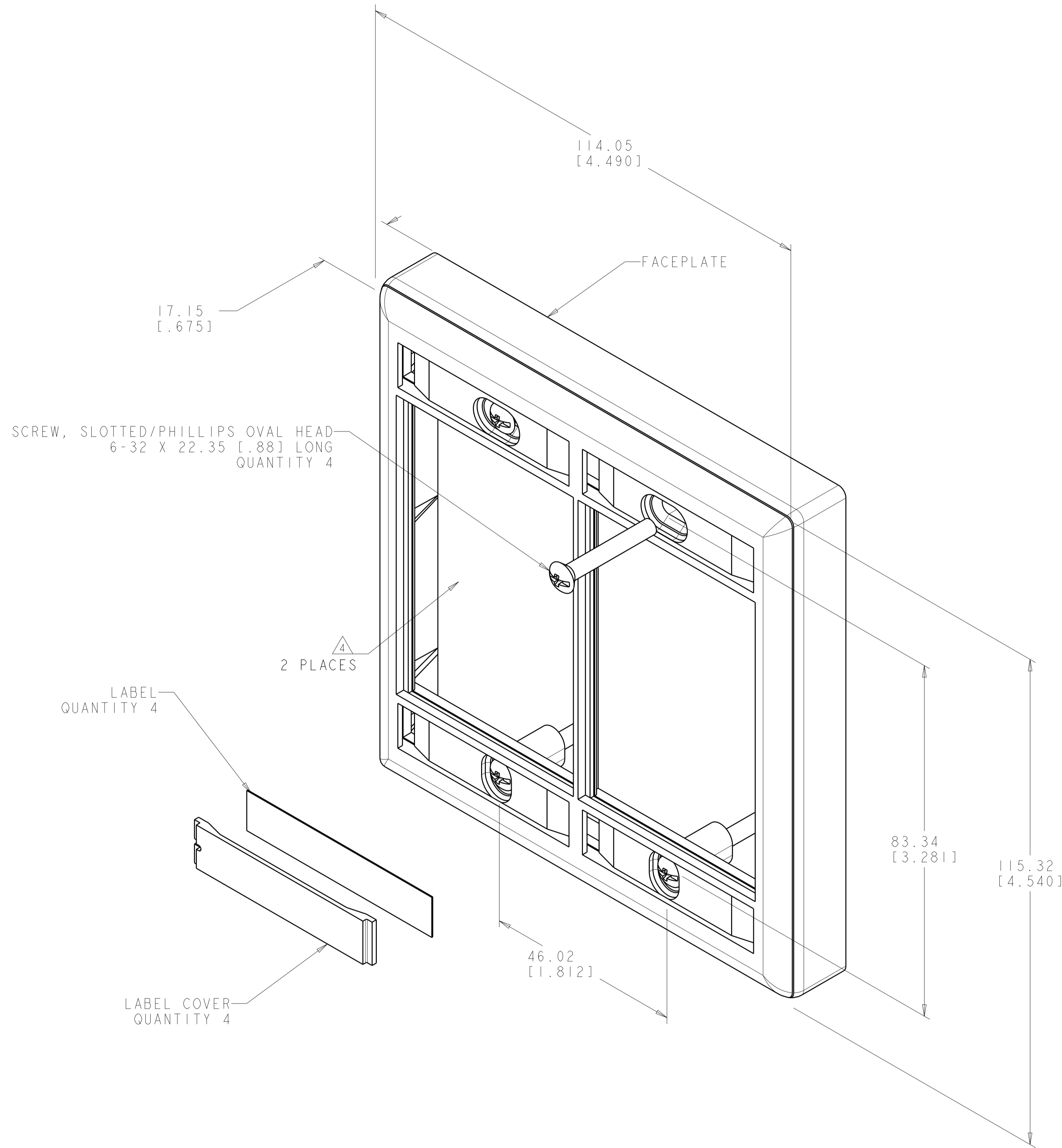


LOC		DIST		REVISIONS					
HM		00		P	LTN	DESCRIPTION	DATE	DWN	APVD
C						ECO-13-005468	03APR2013	JM	RA
D						REV: ECO-15-003155	19MAY2015	GG	RA



- △ MATERIAL: FACEPLATE - POLYCARBONATE MOLDING COMPOUND. SEE TABLE FOR COLOR.
 LABEL COVERS - POLYCARBONATE MOLDING COMPOUND.
 LABELS - WHITE INDEX PAPER.
 SCREWS - ZINC PLATED CARBON STEEL.
- 2. THIS KIT SHIPPED NOT ASSEMBLED.
- △ DIMENSIONS ARE NOMINAL.
- △ OPENING ACCEPTS THREE 1 UNIT OR TWO 1.5 UNIT SL SERIES MODULES.

ALPINE WHITE	I-1479486-3
LIGHT ALMOND	1479486-1
COLOR	PART NUMBER

THIS DRAWING IS A CONTROLLED DOCUMENT.

DIMENSIONS: MM [INCHES]	TOLERANCES UNLESS OTHERWISE SPECIFIED:	3
0 PLC ±	1 PLC ±	2 PLC ±
3 PLC ±	4 PLC ±	ANGLES ±
MATERIAL: △	FINISH: -	

DWN: G. GARRETT	ZZAPR03
CHK: G. BOWMAN	ZZAPR03
APVD: G. BOWMAN	ZZAPR03
PRODUCT SPEC	
APPLICATION SPEC	
408-8398	
WEIGHT	
Customer Drawing	

NAME: KIT, FACEPLATE DOUBLE GANG, SL SERIES, STANDARD

SIZE: A1 CAGE CODE: 00779 DRAWING NO: 1479486 RESTRICTED TO: -

SCALE: 2:1 SHEET 1 OF 1 REV D