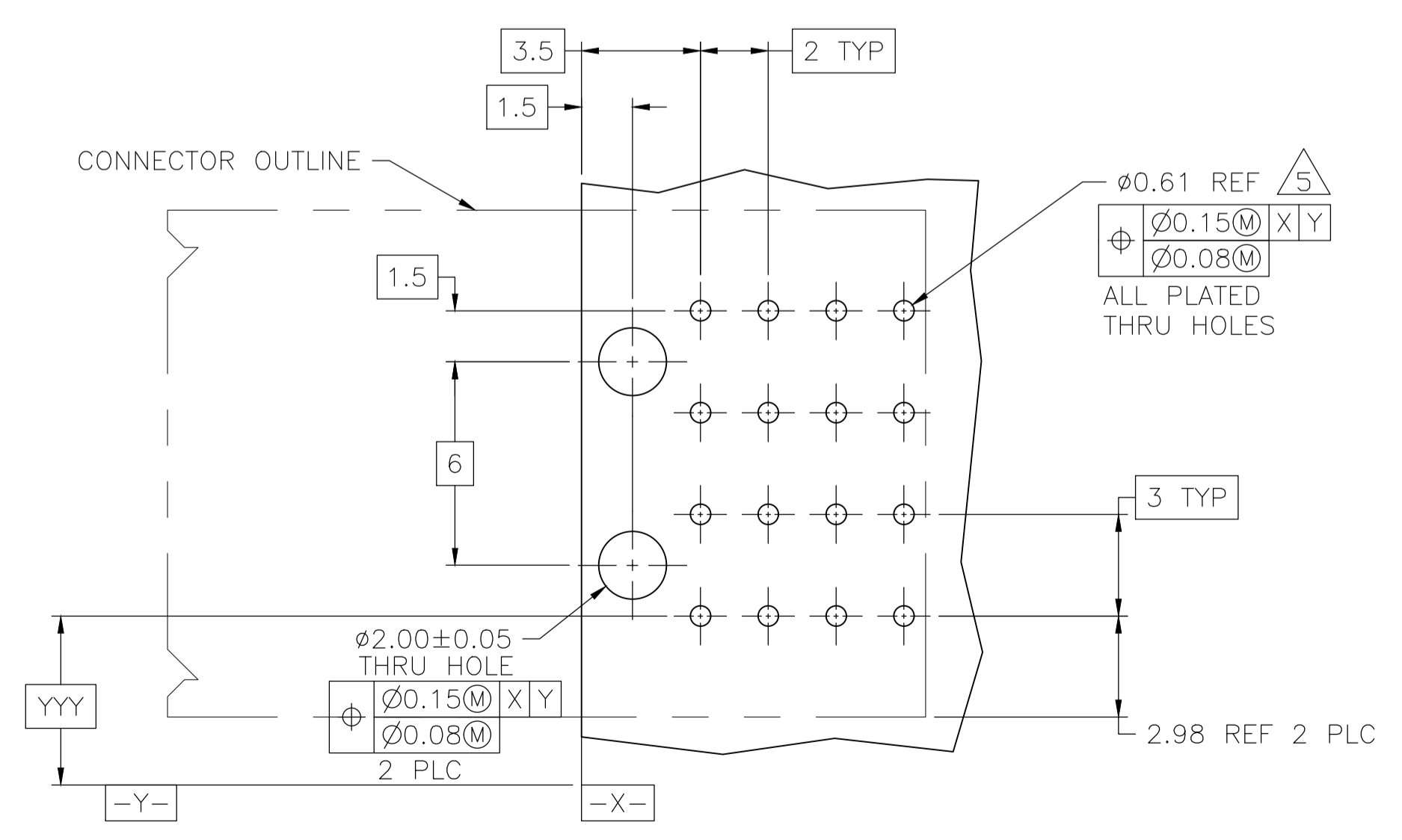
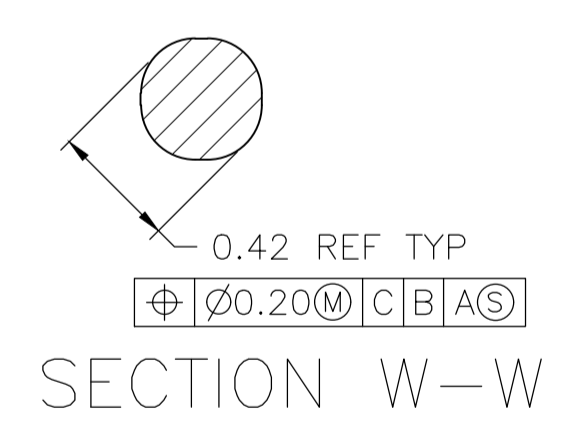
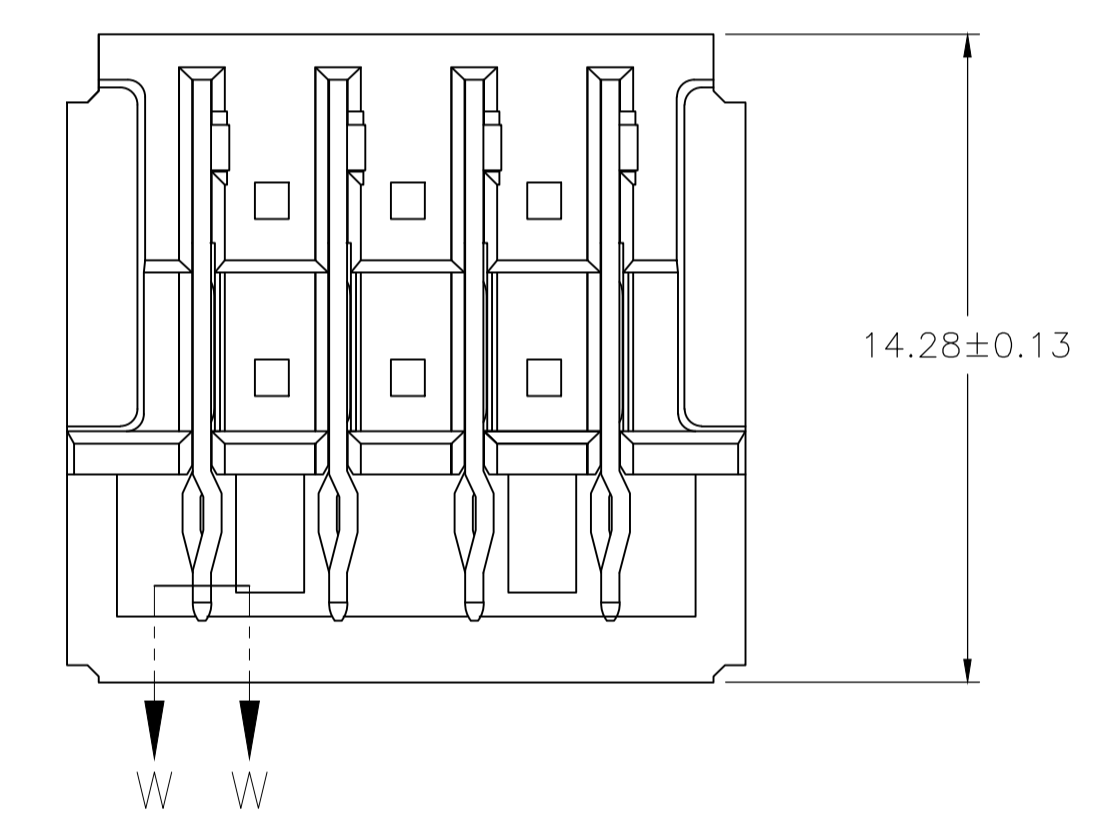
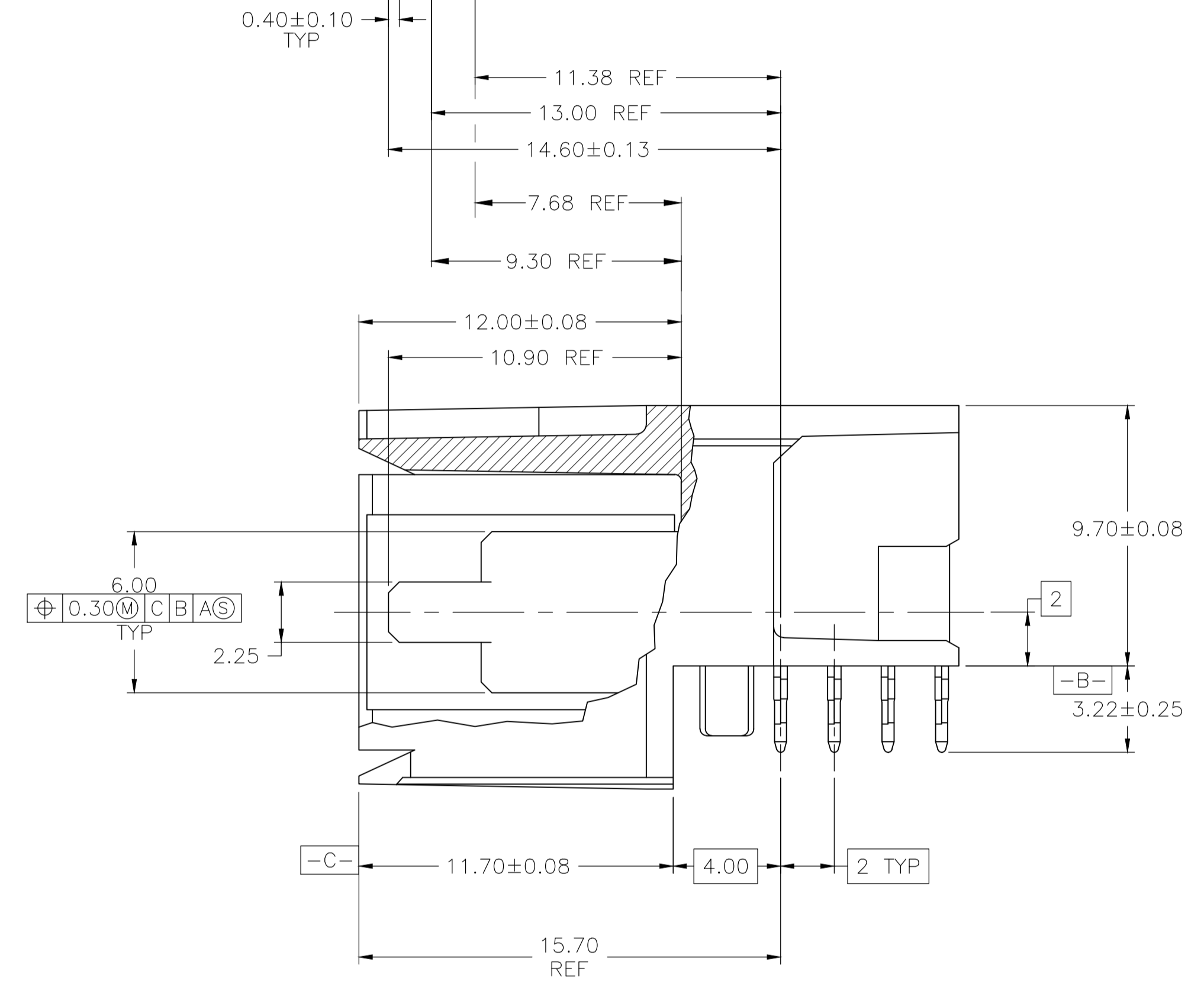
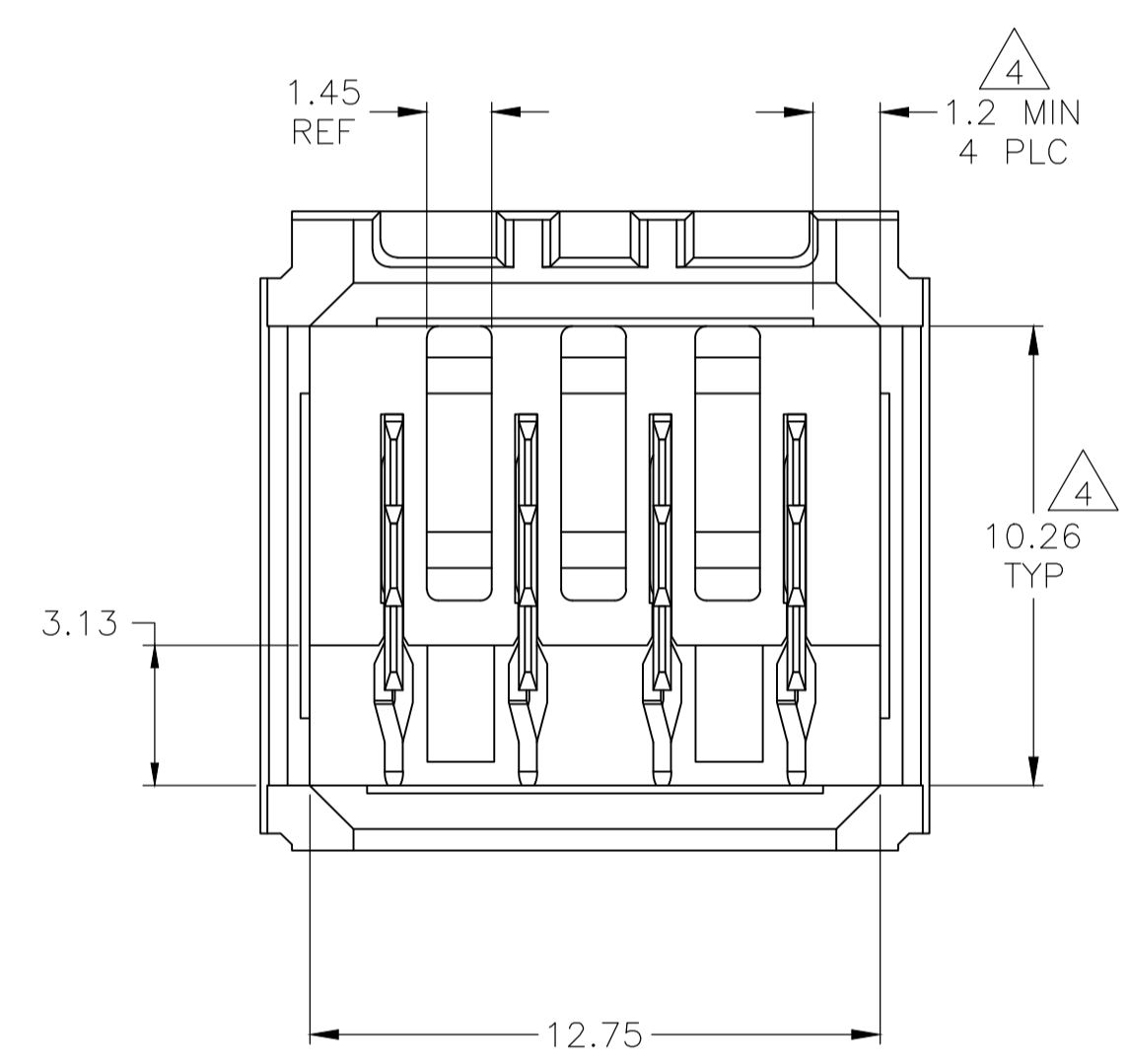


- 1 MATERIAL: HOUSING: POLYESTER, GRAY. UL 94V-0. CONTACT: HIGH CURRENT COPPER ALLOY.
- 2 FINISH: IN ACCORDANCE WITH PRODUCT SPECIFICATION 108-1651, GOLD PLATING OR EQUIVALENT PLATING ON PRODUCT CONTACT MATING AREA, AND MATTE TIN PLATING ON COMPLIANT PIN AREA, ALL OVER MATTE NICKEL UNDERPLATED. DETAIL PLEASE REFER TO PRODUCT SPECIFICATION 108-1651.
- 3 FINISH: CONTACT LUBRICATION WITH BELLCORE APPROVED LUBRICANT. TECHNICAL REFERENCE: TR-NWT-001217 ISSUE 1, SEPT 1992.
- 4 THE 10.26±0.13 DIMENSION APPLIES IN THIS AREA.
- 5 REFERENCE APPLICATION SPEC 114-1103 FOR RECOMMENDED PLATED THRU HOLE DIAMETER AND PLATING THICKNESSES.
- 6. CURRENT RATING 16A/CONTACT PER PRODUCT SPEC 108-1651.



|  | C,D                                     | A,B                                     | 4                      | 120954-6    |
|--|---|---|------------------------|-------------|
| -  | C,D                                     | A,B                                     | 4                      | 120954-6    |
| A,B                                      | C,D                                     | -                                       | 4                      | 120954-5    |
| A,D                                      | -                                       | B,C                                     | 4                      | 120954-4    |
| -  | A,D                                     | B,C                                     | 4                      | 120954-3    |
| A  | B                                       | C,D                                     | 4                      | 120954-2    |
| A,B,C,D                                  | -                                       | -                                       | 4                      | 120954-1    |
| POSITIONS LOADED WITH 10.90 REF CONTACTS | POSITIONS LOADED WITH 9.30 REF CONTACTS | POSITIONS LOADED WITH 7.68 REF CONTACTS | NO OF LOADED POSITIONS | PART NUMBER |

THIS DRAWING IS A CONTROLLED DOCUMENT.

|                |  |                          |                          |  |
|----------------|--|--------------------------|--------------------------|--|
| DIMENSIONS: mm | TOLERANCES UNLESS OTHERWISE SPECIFIED: | DIN B CARBO 080CT04      | APVD R PATTERSON 080CT04 | Tyco Electronics Corporation Harrisburg, PA 17105-3608 |
| 0 PLC ± -      | 1 PLC ± -                              | 2 PLC ± ± 0.13           | 3 PLC ± ± -              | 4 PLC ± ± -  |
| ANGLES ± -     |  | NAME R PATTERSON 080CT04 | PRODUCT SPEC 108-1651    | APPLICATION SPEC 114-1103                              |
| MATERIAL 1     | FINISH 2 3                             | SIZE A1                  | SCALE 6:1                | SHEET 1 OF 1   |
|                |  | WEIGHT -                 | DRAWING NO 00779         | REV F1   |

CUSTOMER DRAWING