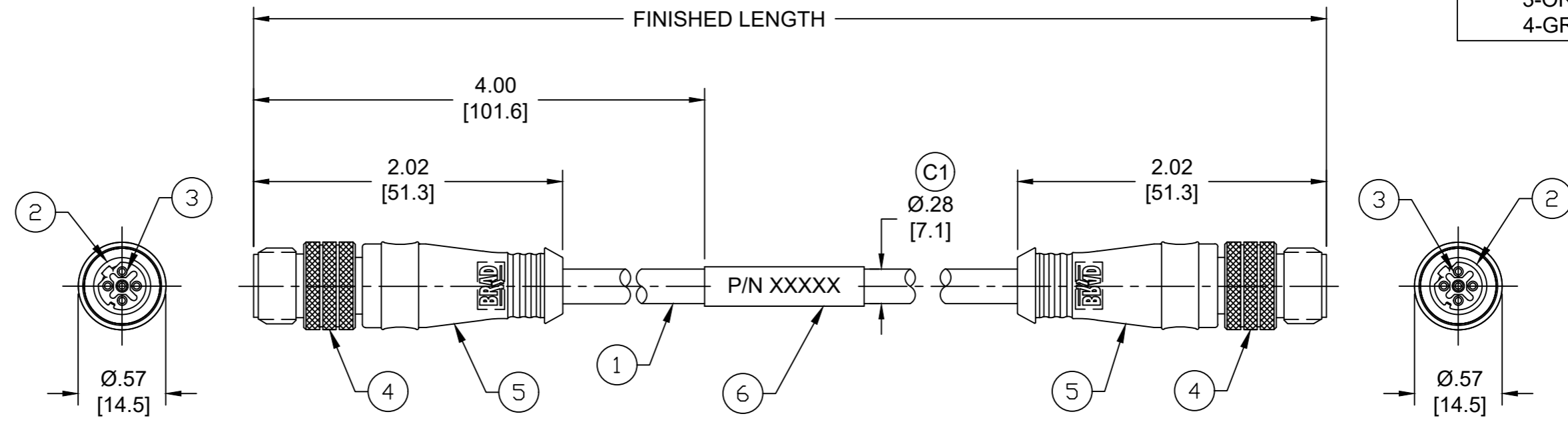
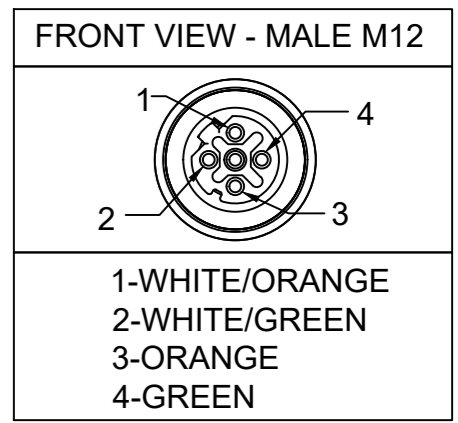


MATERIAL NUMBER	ENGINEERING NUMBER	FINISHED LENGTH
1201088181	E11A06006M005	0.5M [1FT 8 IN]
1201080366	E11A06006M600	60M[196FT 10 IN]
1201080533	E11A06006T100	100M[328FT 1 IN]



- NOTES:
1. MATERIAL: AS NOTED
 2. FINISH: AS NOTED
 3. ELECTRICAL:
VOLTAGE: 30V AC/DC
CURRENT: 1.5A
 4. TEMP RATING: -20°TO +75°C (C1)
 5. PROTECTION: IP67 (WHEN MATED)
 6. COUPLING THREAD: M12X1
 7. UL LISTED FILE: E361772 (C1)
 8. ALL DIMENSIONS ARE FOR REFERENCE UNLESS TOLERANCED OR NOTED OTHERWISE

PART NUMBER LEGEND
E11A06006M005

FINISHED LENGTH
M005 - 0.5 METER
M010 - 1 METER
M200 - 20 METER
T100 - 100 METER

(C1) CABLE LENGTH TOLERANCES

<.3M [1FT]:	+19mm-0 [+ .75in-0]
.3 - .9M [1 - 3FT]:	+44.5mm-0 [+1.75in-0]
.9 - 1.8M [3 - 6FT]:	+55.6mm-0 [+2.19in-0]
1.8 - 3.7M [6 - 12FT]:	+88.9mm-0 [+3.50in-0]
3.7 - 7.3M [12 - 24FT]:	+165.1mm-0 [+6.50in-0]
7.3-14.6M [24 - 48FT]:	+317.5mm-0 [+12.50in-0]
14.6 - 30.5M [48-100FT]:	+622.3mm-0 [+24.50in-0]
OVER 30M [100FT]	+2% OF FINISHED LENGTH

ITEM	DESCRIPTION	MATERIAL	FINISH
6	WRAP LABEL	VINYL	BLACK/WHITE
5	OVERMOLD	PUR	BLACK
4	COUPLING NUT	BRASS	NICKEL PLATED
3	CONTACT PIN	COPPER ALLOY	GOLD/NICKEL PLATED
2	MALE INSERT	PUR	BLACK
1	#24 AWG CABLE	TPE JACKET	BLUE

FUNCTIONAL SYMBOLS F=0 E=0 P=0	THIS DRAWING CONTAINS INFORMATION THAT IS PROPRIETARY TO MOLEX ELECTRONIC TECHNOLOGIES, LLC AND SHOULD NOT BE USED WITHOUT WRITTEN PERMISSION		CURRENT REV DESC: ADDED TEMP RATING, UL NUMBER, CABLE DIA & TOL CHART. MODIFIED MATERIAL NUMBER CHART			
	DIMENSION UNITS	SCALE				
	INCH/MM	NTS	EC NO: 703079		PRODUCT CUSTOMER DRAWING	
	GENERAL TOLERANCES (UNLESS SPECIFIED)		DRWN: ABENJAMINLW 2021/10/27		DOCUMENT NUMBER	
4 PLACES ±----		CHK'D: RSTONE 2022/04/12		SD-120108-052		
3 PLACES ±----		APPR: BWOODMAN 2022/04/18		DOC TYPE/DOC PART/REVISION		
2 PLACES ±----		INITIAL REVISION:		PSD 001 C1		
1 PLACE ±----		DRWN: BARDEN 2013/02/15		MATERIAL NUMBER		
0 PLACES ±----		APPR: JFMURPHY 2013/04/18		CUSTOMER		
ANGULAR TOL ± ---- °		DRAFT WHERE APPLICABLE MUST REMAIN WITHIN DIMENSIONS		SEE CHART		
THIRD ANGLE PROJECTION		DRAWING		SHEET NUMBER		
B-SIZE		SERIES		1 OF 1		
120108		MATERIAL NUMBER		FORD		