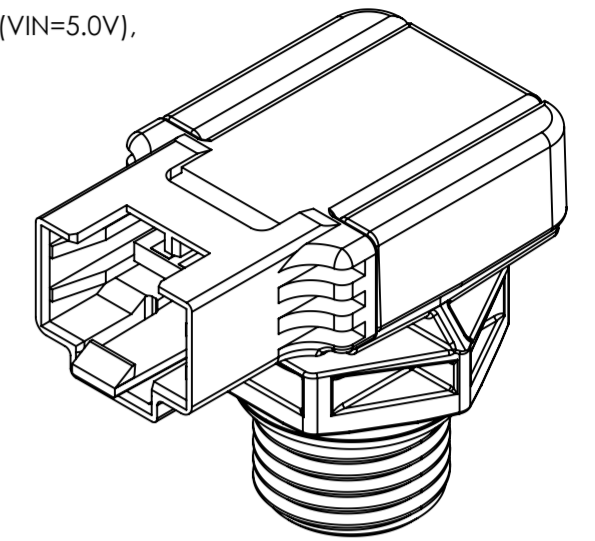
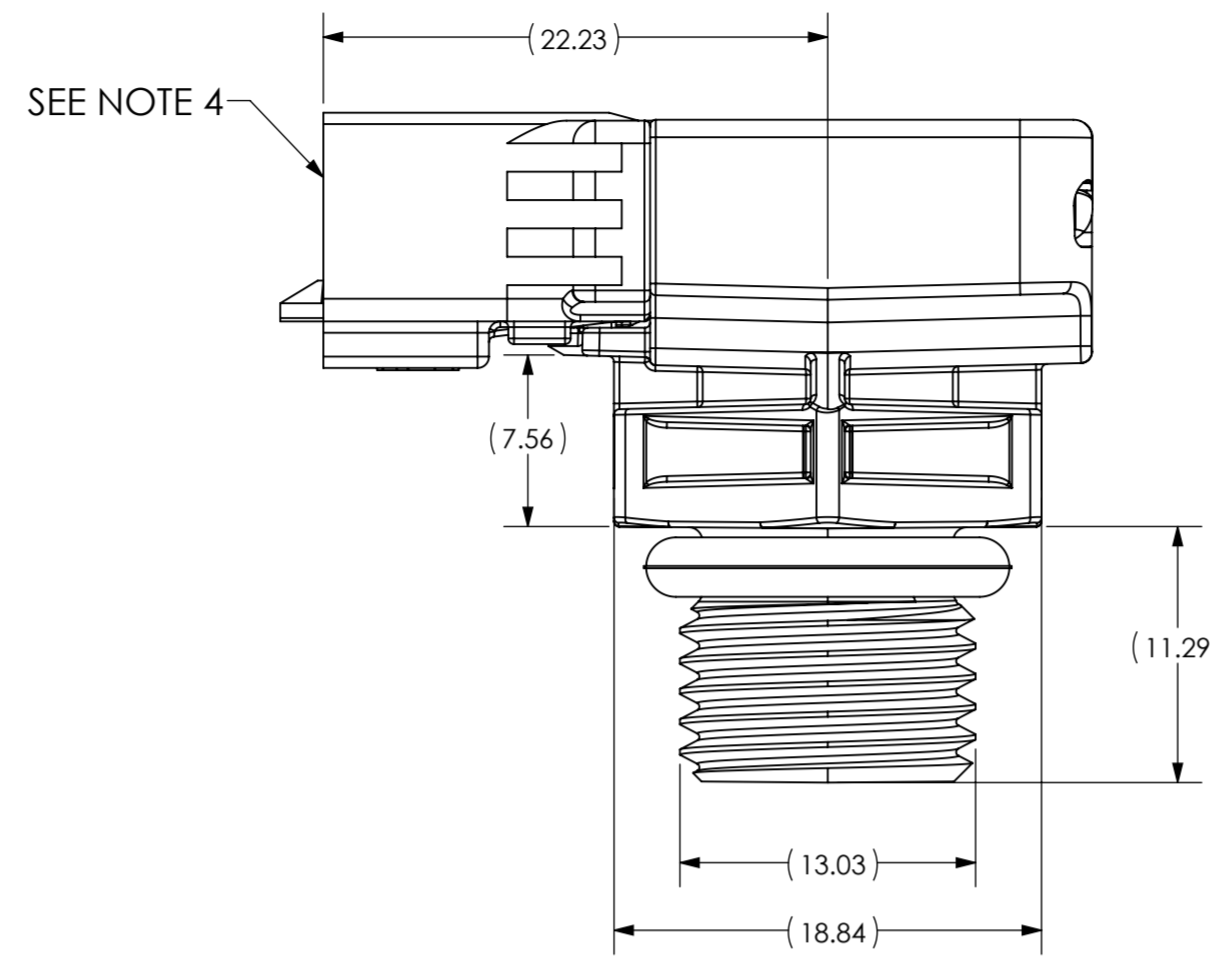
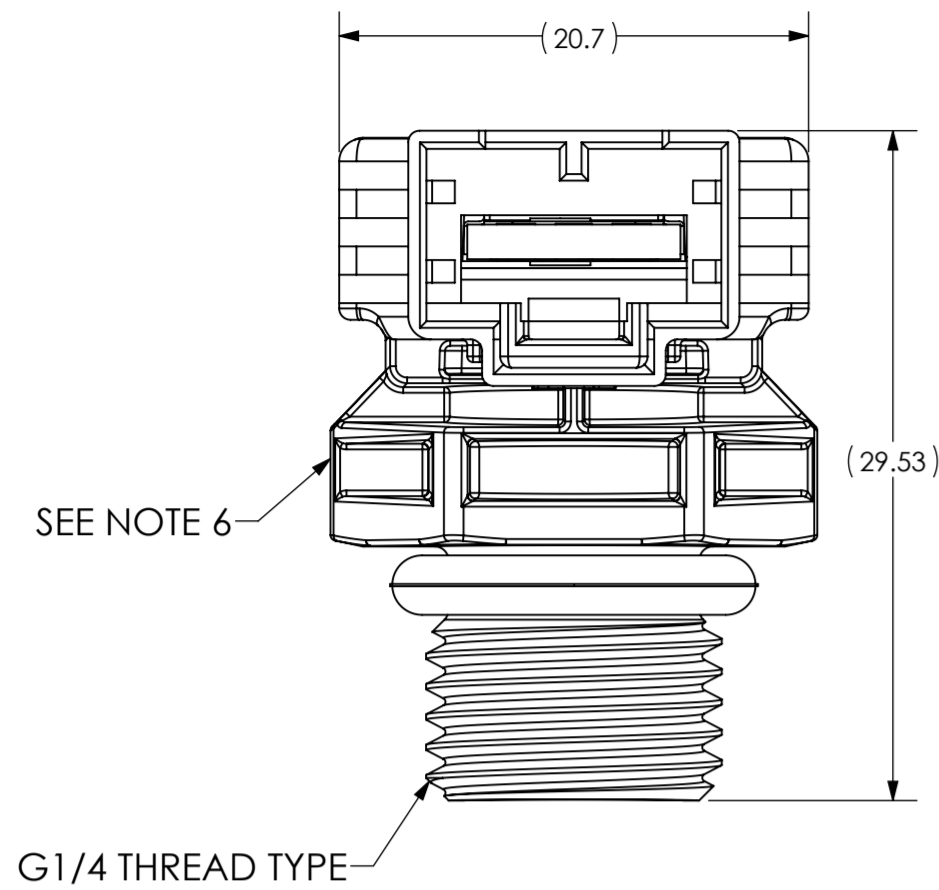


ZONE	REV.	REVISION DESCRIPTION	ECN NO.	DATE
	B	IN ENVIRONMENT TABLE, "OPERATING MEDIA TEMPERATURE RANGE" WAS "OPERATING TEMPERATURE"; IN ENVIRONMENT TABLE, ADDED ROW FOR "OPERATING AMBIENT TEMPERATURE RANGE"; IN ENVIRONMENT TABLE, PRESSURE RANGE WAS "0 TO 10 BARS (SEE NOTE 1)"; IN TRANSFER FUNCTION TABLE, "PRESSURE (BARS)" VALUE WAS "20.00X(VOUT/VIN)±2.00"; IN TRANSFER FUNCTION TABLE, "FOR REFERENCE ONLY(VIN=5.0V), PRESSURE(BARS)" VALUE WAS "4.00XVOUT±2.00"; JJ	ECO-271635	04-DEC-2018



ENVIRONMENT

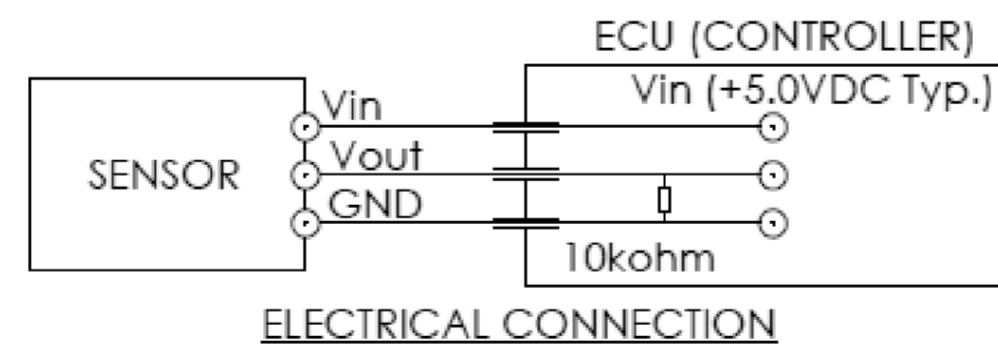
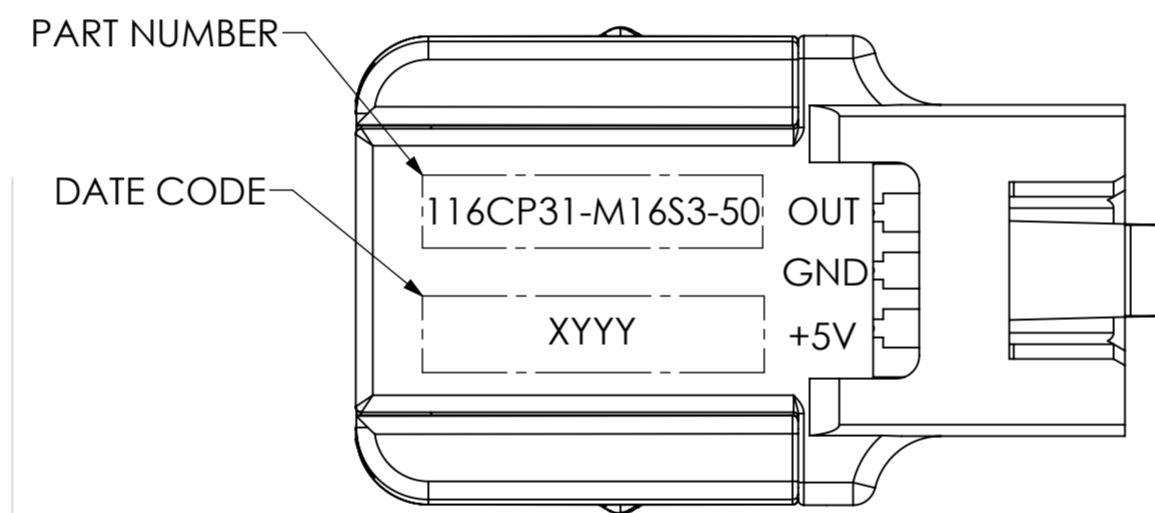
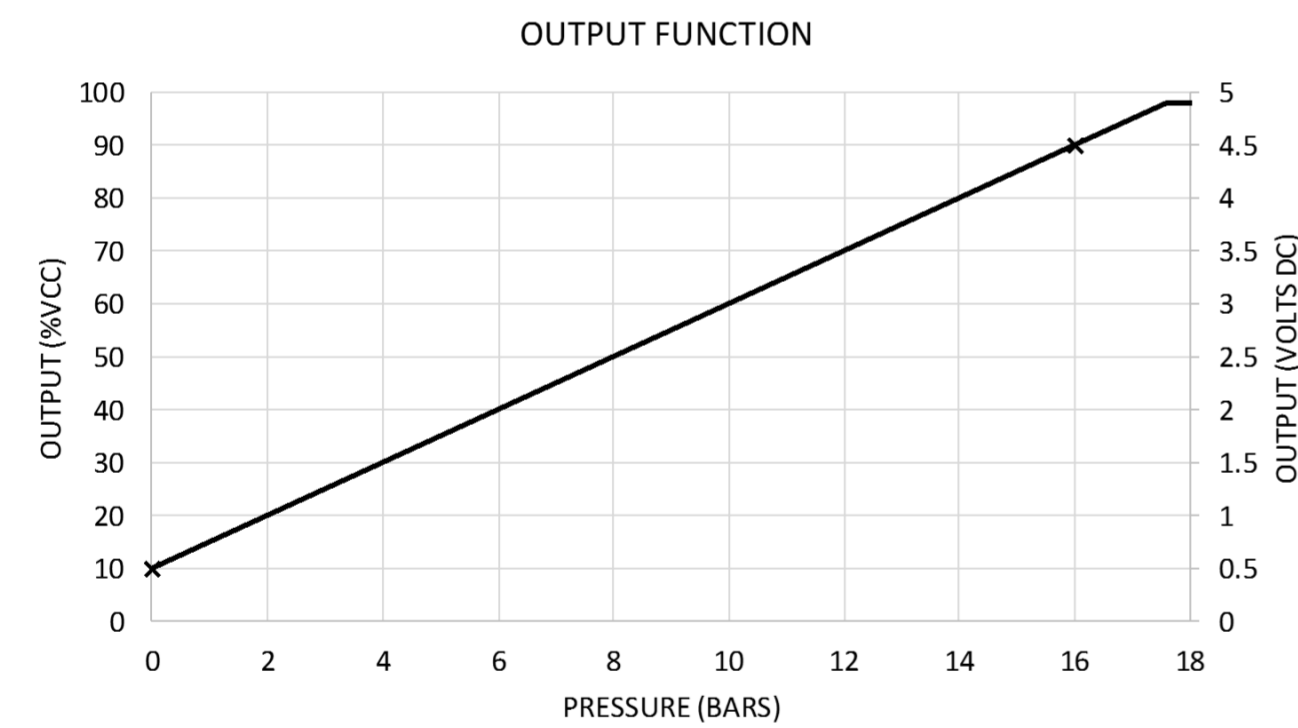
OPERATING MEDIA TEMPERATURE RANGE	2 TO 90°C
OPERATING AMBIENT TEMPERATURE RANGE	2 TO 70°C
PRESSURE RANGE	0 TO 16 BARS (SEE NOTE 1)

MATERIAL

PACKAGE	FIBER REINFORCED PPA
SENSE ELEMENT	96% ALUMINA
PRESSURE SEAL	EPDM

PERFORMANCE

TOTAL ERROR BAND @ 60°C	±2.0 %Vsupply (SEE NOTES 2,3)
TEMPERATURE EFFECT ON ACCURACY	±0.02 %Vsupply/°C
ACCURACY(T) = ±(2.0[%Vsupply]+ΔT[°C] X 0.02[%Vsupply/°C]), WHERE ΔT=ABS(T-60[°C])	



NOTES:

- BARS DENOTES SEALED GAUGE. PRESSURE REFERENCE IS 14.7 PSIA (ATMOSPHERIC PRESSURE AT SEA LEVEL). 0 TO 16 BARS IS EQUIVALENT TO 14.7 TO 246.7 PSIA
- FS (PRESSURE) = P_{MAX.} - P_{MIN.} = 16 BAR
FS (VOLTAGE) = V_{OUTMAX.} - V_{OUTMIN.} = 4 VDC
- TOTAL ERROR BAND INCLUDES NONLINEARITY, HYSTERESIS AND REPEATABILITY.
- DESIGNED TO RAST 2.5 REV 05 CONNECTOR SYSTEM.
- DEVICE MEETS THE REQUIREMENTS OF DIRECTIVE 2011/65/EU FOR RoHS COMPLIANCE.
- MAXIMUM INSTALL TORQUE OF 2 N-m.

TRANSFER FUNCTION

$\%VCC = 5.0000 \times \text{PRESSURE (BARS)} + 10.0000$
$\%VCC = (VOUT / VIN) \times 100$
$\text{PRESSURE(BARS)} = 20.00 \times (VOUT/VIN) - 2.00$
FOR REFERENCE ONLY (VIN = 5.0V), $\text{PRESSURE(BARS)} = 4.00 \times VOUT - 2.00$

ELECTRICAL CONNECTIONS

POWER SUPPLY VOLTAGE	5.0 ±0.25 VDC
SUPPLY CURRENT	8.0 mA MAX.
OUTPUT LOAD	10K Ohm PULL DOWN
OUTPUT VOLTAGE RANGE	0.5 TO 4.5V TYPICAL

FOR REFERENCE ONLY, CHECK LATEST REVISION BEFORE USE. PARTS MADE TO THIS PRINT MUST CONFORM TO E9898 REV. E.				529 PLEASANT STREET P.O. BOX 2964 ATTLEBORO, MA 02703	
DRAWN J. JUAN ALONSO DATE 08-AUG-2018	<small>SENSATA TECHNOLOGIES PROPRIETARY AND CONFIDENTIAL. NEITHER THIS PRINT NOR THE INFORMATION CONTAINED HEREON IS TO BE USED AGAINST THE INTERESTS OF SENSATA TECHNOLOGIES OR AGAINST THE INTERESTS OF ANY OF ITS AFFILIATED COMPANIES OR WHOLLY OWNED SUBSIDIARIES.</small>		TITLE BOILER PRESSURE TRANSDUCER ENVELOPE DRAWING		
ENGINEER M. LERMAN DATE 08-AUG-2018	<small>INTERPRET DIMENSIONING AND TOLERANCING PER ASME Y14.5-2009. UNLESS OTHERWISE SPECIFIED DIMENSIONS ARE IN MILLIMETERS.</small>		SIZE A2		REV. B
APPROVED RICARDO RAMIREZ DATE 08-AUG-2018	<small>DECIMALS ANGLES</small>		SCALE 2:1		SHEET 1 OF 1
APPROVED STACY MYERS DATE 08-AUG-2018	<small>DO NOT SCALE DRAWING</small>	<small>THIRD ANGLE PROJECTION</small>	PROJECT: 1		