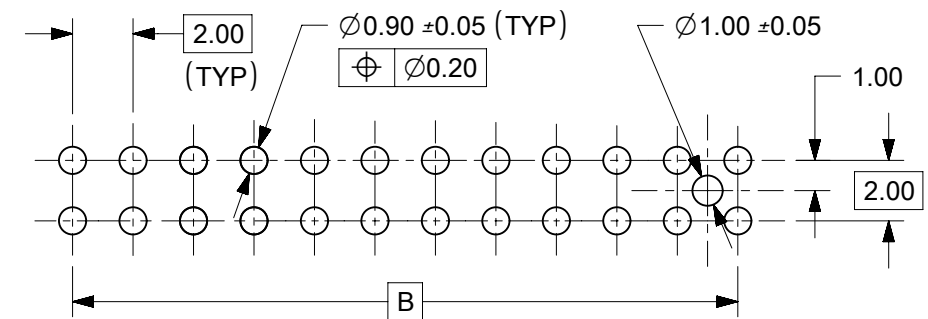
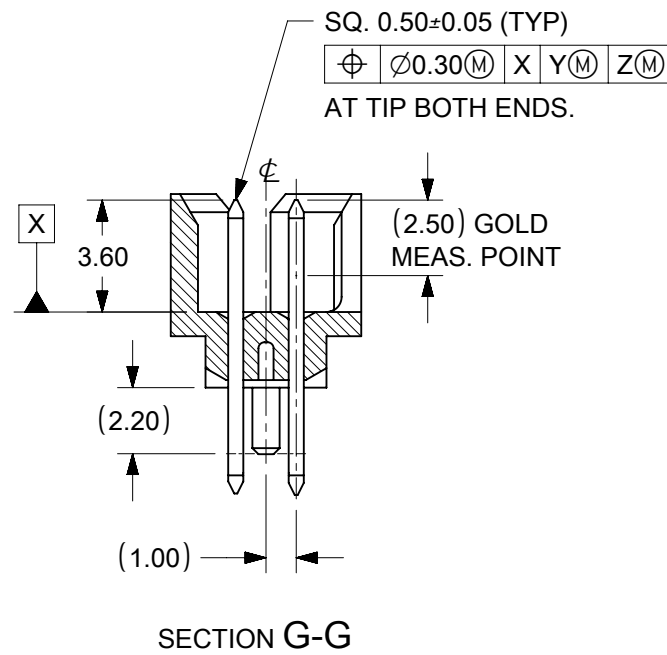
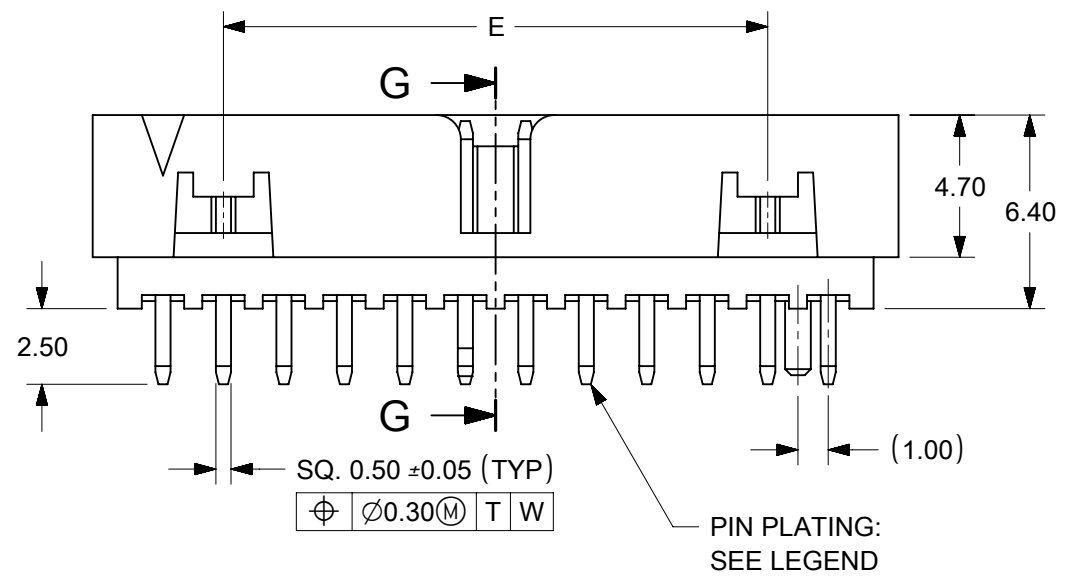
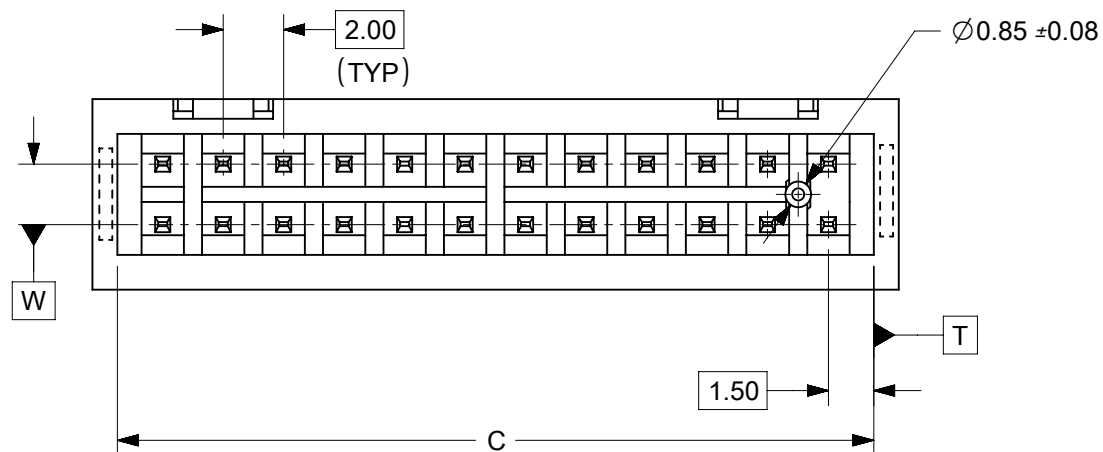


NOTES:

1. FOR ILLUSTRATION PURPOSES, 24 CKT SIZE WAFER IS SHOWN.
2. MATERIAL :
HOUSING : 30% G.F., NYLON 46, UL94V-0, COLOR BLACK.
PIN : 0.50mm SQ. PHOSPHOR BRONZE.
3. PRODUCT SPECIFICATION PS-87831-027 APPLIES.
4. THIS HEADER MATES WITH MOLEX :
a) CRIMP RECEPTACLE HOUSING, 51110 SERIES WITH CRIMP TERMINAL, 50394 SERIES.
b) 2mm MILLIGRID DUAL ROW IDT, 87568 SERIES.
5. PARTS TO BE PACKED IN TUBE WITH MOISTURE BARRIER BAG



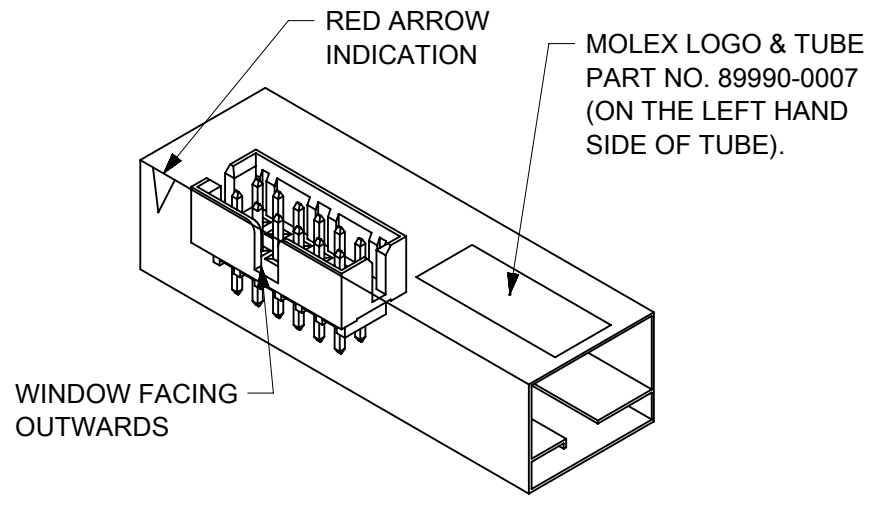
RECOMMENDED PCB PATTERN
(FOR THICKNESS OF 1.60 ± 0.10)



THIS DRAWING CONTAINS INFORMATION THAT IS PROPRIETARY TO MOLEX ELECTRONIC TECHNOLOGIES, LLC AND SHOULD NOT BE USED WITHOUT WRITTEN PERMISSION

ADDED BTB DIST. EC NO: 619055 DRWN: SCS02 CHK'D: NMANE02 APPR: MIRAMAKRISHNA	GENERAL TOLERANCES (UNLESS SPECIFIED)		DIMENSION UNITS		SCALE				
		MM	INCH	MM	NTS				
	4 PLACES	±	±	DRWN BY	DATE		MGRID, SHROUDED HEADER VERTICAL, W/PEG		
	3 PLACES	±	±	ATSEE	2003/10/08				
	2 PLACES	±	0.2	±	CHK'D BY	DATE		PRODUCT CUSTOMER DRAWING	
1 PLACES	±	±	±	KCLING	2003/11/07				
0 PLACES	±	±	±	APPR BY	DATE		SERIES: 87831 MATERIAL NUMBER: SEE SHEET 2 CUSTOMER: GENERAL MARKET		
				SKTOH	2003/11/07				
ANGULAR TOL = 3.0			DRAWING SIZE	THIRD ANGLE PROJECTION		DOCUMENT NUMBER: SD-87831-020 DOC TYPE: PSD DOC PART: 001 SHEET NUMBER: 1 OF 3			
DRAFT WHERE APPLICABLE MUST REMAIN WITHIN DIMENSIONS			A3						

P/N IN TUBE	CKT SIZE	VOID PIN LOCATION	DIMENSION				
			A	B	C	D	E
87831-5128	24	12	26.65	22.00	25.00	24.85	18.00



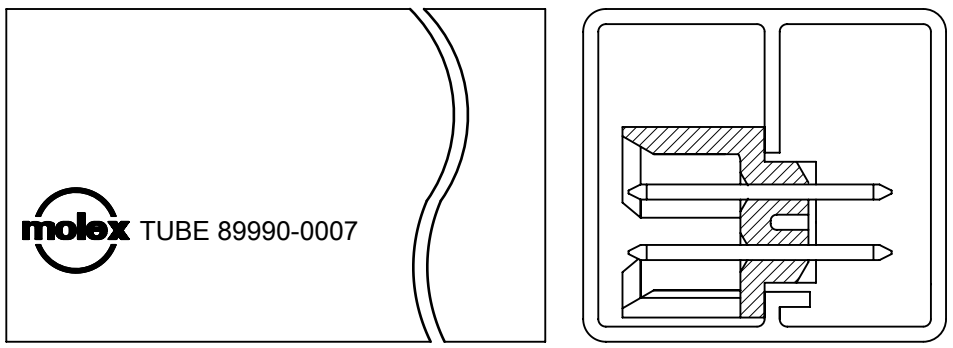
PART NUMBER LEGEND :

87831 - * * * *

PLATING OPTIONS

28 - 0.38µm/15µin GOLD IN CONTACT AREA AND 1.88µm/75µin MIN. TIN IN SOLDER TAIL AREA OVER 1.27µm/50µin MIN. NICKEL OVERALL.
 29 - 0.76µm/30µin GOLD IN CONTACT AREA AND 1.88µm/75µin MIN. TIN IN SOLDER TAIL AREA OVER 1.27µm/50µin MIN. NICKEL OVERALL.

REF : ORIENTATION OF PART IN TUBE
 (FOR THE REFERENCE OF PART/TUBE ASSEMBLY)



ORIENTATION OF PART IN TUBE

THIS DRAWING CONTAINS INFORMATION THAT IS PROPRIETARY TO MOLEX ELECTRONIC TECHNOLOGIES, LLC AND SHOULD NOT BE USED WITHOUT WRITTEN PERMISSION

EC NO: 619055 DRWN: SCS02 CHK'D: NMANE02 APPR: MRAMAKRISHNA	2018/06/19	GENERAL TOLERANCES (UNLESS SPECIFIED)		DIMENSION UNITS		SCALE					
	2019/07/09	MM	INCH	MM	NTS						
	2019/07/09	4 PLACES ±	±	DRWN BY	DATE		MGRID, SHROUDED HEADER VERTICAL, W/PEG				
		3 PLACES ±	±	ATSEE	2003/10/08						
		2 PLACES ± 0.2	±	CHK'D BY	DATE						
		1 PLACES ±	±	KCLING	2003/11/07		PRODUCT CUSTOMER DRAWING				
	0 PLACES ±	±	APPR BY	DATE							
	ANGULAR TOL = 3.0		SKTOH	2003/11/07		SERIES	MATERIAL NUMBER	CUSTOMER			
	DRAFT WHERE APPLICABLE MUST REMAIN WITHIN DIMENSIONS		DRAWING SIZE	THIRD ANGLE PROJECTION		87831	SEE TABLE	GENERAL MARKET			
A13			A3			DOCUMENT NUMBER		DOC TYPE	DOC PART	SHEET NUMBER	
						SD-87831-020		PSD	001	2 OF 3	

RELEASE STATUS	P1	RELEASE DATE	2019/07/09	06:47:27
----------------	----	--------------	------------	----------

BOARD TO BOARD (BTB) DISTANCE

HEADER	MATES WITH (RECEPTACLE)	BTB DIST.	PICTORIAL VIEW
87831	79107	6.94	
	78787	6.94	
	79108	6.94	
	79109	7.15	
	78788	7.15	

THIS DRAWING CONTAINS INFORMATION THAT IS PROPRIETARY TO MOLEX ELECTRONIC TECHNOLOGIES, LLC AND SHOULD NOT BE USED WITHOUT WRITTEN PERMISSION											
DIMENSION UNITS		SCALE		CURRENT REV DESC: ADDED BTB DIST.						molex	
mm		NTS									
GENERAL TOLERANCES (UNLESS SPECIFIED)				EC NO: 619055		DRWN: SCS02		2018/06/19		MGRID, SHROUDED HEADER VERTICAL, W/PEG	
4 PLACES		±		CHK'D: NMANE02		2019/07/09					
3 PLACES		±		APPR: MRAMAKRISHNA		2019/07/09		PRODUCT CUSTOMER DRAWING		DOCUMENT NUMBER	
2 PLACES		± 0.2		INITIAL REVISION:		DRWN: DRWN BY		XXXX/XX/XX		SD-87831-020	
1 PLACE		±		APPR: APPR BY		XXXX/XX/XX		PSD		001 A13	
0 PLACES		±		ANGULAR TOL ± 3.0°		DRAFT WHERE APPLICABLE MUST REMAIN WITHIN DIMENSIONS		THIRD ANGLE PROJECTION		DRAWING	
						A3-SIZE		SERIES		SHEET NUMBER	
						87831		MATERIAL NUMBER		CUSTOMER	
								GENERAL MARKET		3 OF 3	