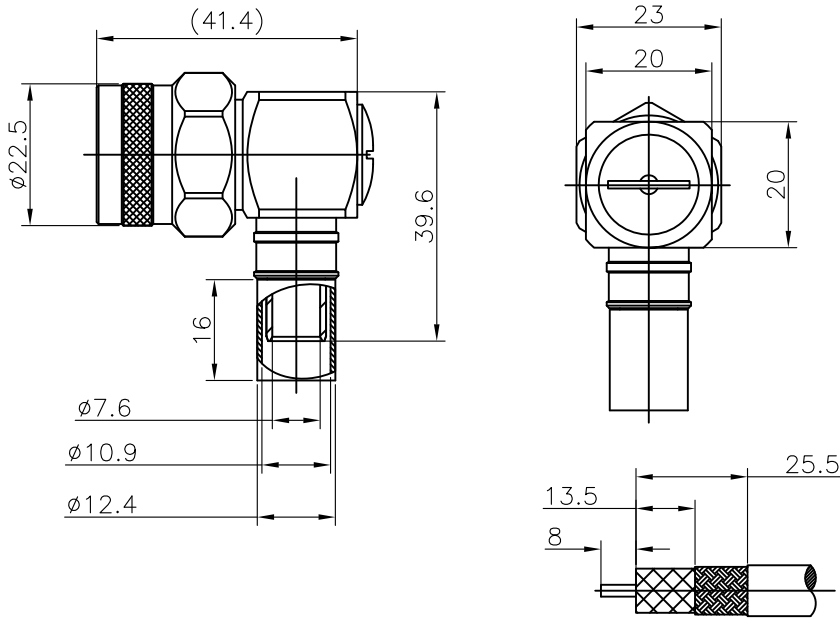


NOTICE OF PROPRIETARY RIGHTS THIS DOCUMENT CONTAINS CONFIDENTIAL TECHNICAL DATA, INCLUDING TRADE SECRETS, PROPRIETARY TO TIMES MICROWAVE SYSTEMS. DISCLOSURE OF THIS DATA IS EXPRESSLY CONDITIONED UPON YOUR ASSENT THAT ITS USE IS LIMITED TO USE WITHIN YOUR COMPANY ONLY. ANY OTHER USE IS STRICTLY PROHIBITED WITHOUT THE PRIOR WRITTEN CONSENT OF TIMES MICROWAVE SYSTEMS.

SYM	REVISION DESCRIPTION	DFTM	DATE	APPD	DATE
A	RELEASED FOR PRODUCTION	K.A.M.	4/8/10	J.D.B.	5/9/10



Recommended cable stripping Dim's

(MATERIALS AND PLATING)		
BODY/NUT	Brass	Copper-tin-zin(Albaloy)100-150 micro inches
CONTACT PIN	Brass	50u"of gold over 50u"of electroless nickel over copper flash
INSULATOR	TEFLON MIL-P-19468	
FERRULE	COPPER	Copper-tin-zin(Albaloy)100-150 micro inches
GASKET	SILICONE	RED OR BLACK

ELECTRICAL CHARACTERISTICS	
Impedance	50 Ω
Voltage rating	V(rms)
Frequency range	0~3GHz
Dielectric withstanding voltage)	2500V
Contact resistance	Center contact: ≤0.8mΩ Outer contact ≤0.4mΩ
Insulation resistance	≥5000MΩ
Insertion loss	According as the cable
RF- leakage	N/A
VSWR	≤1.1@DC-3GHz)
3rd Intermodulation	---

(MECHANICAL CHARACTERISTICS)	
Force to engage and disengage	2 N MAX.
Coupling torque	N/A
Coupling nut retention force	400 N MAX.
Durability	≥ 500 cycles
Cable retention force	500 N MAX.

ENVIRONMENTAL CHARACTERISTICS	
Temperature range	-55°C- +155°C
Thermal shock	US MIL- STD 202, Meth. 107, Cond. B
Vibration	US MIL- STD 202, Meth. 204, Cond. B
Shock	US MIL- STD 202, Meth. 213, Cond. I
Climatic class	IEC 60068 65/165/21

MATL:	UNLESS OTHERWISE SPECIFIED		DFTM. K. A. M.	TIMES MICROWAVE SYSTEMS			
	ALL DIMENSIONS ARE IN mm		DATE 4/8/10				
USED ON: A	$\times \pm 0.2$ $\times \times \pm 0.1$ $\sqrt{1.6}$		CHKD. J. D. B.	TC-400-HNM-RA-D CONNECTOR, 90° "HN" MALE FOR LMR-400/TCOM-400 CABLE			
			DATE 5/9/10				
			APPD. J. D. B.				
SCALE: ~	DWG. SIZE A	DO NOT SCALE DRAWING	CODE IDENT 68999	DATE 5/9/10	SHT 1 of 1	SD3190-2541	REV A