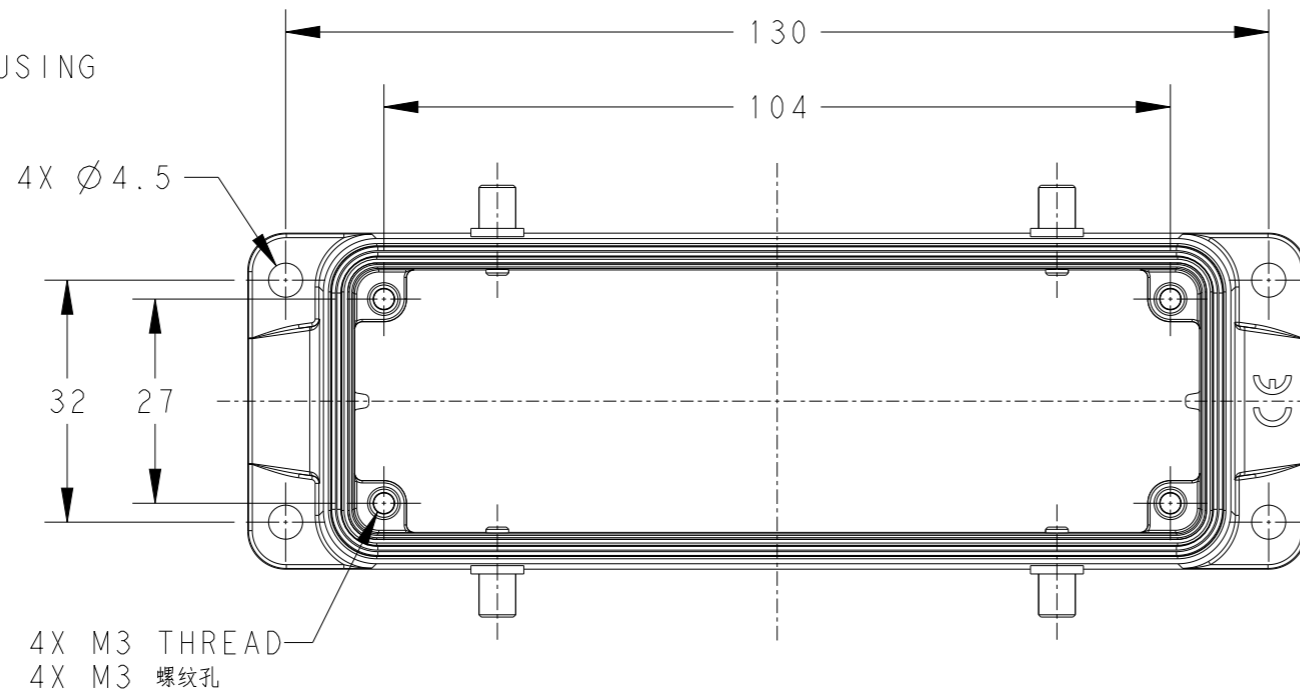
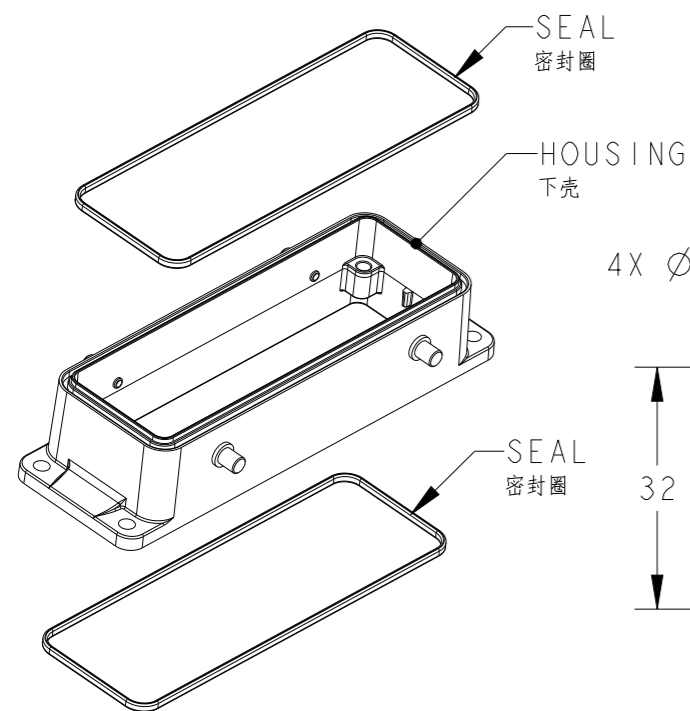


REVISIONS

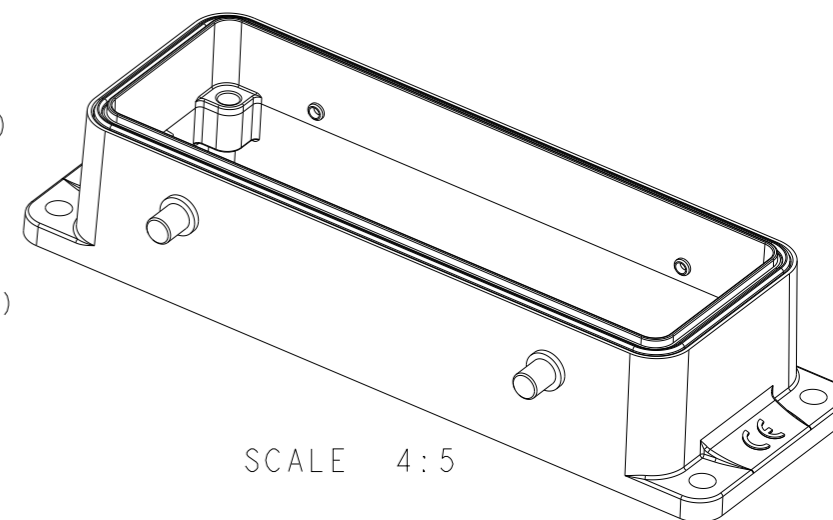
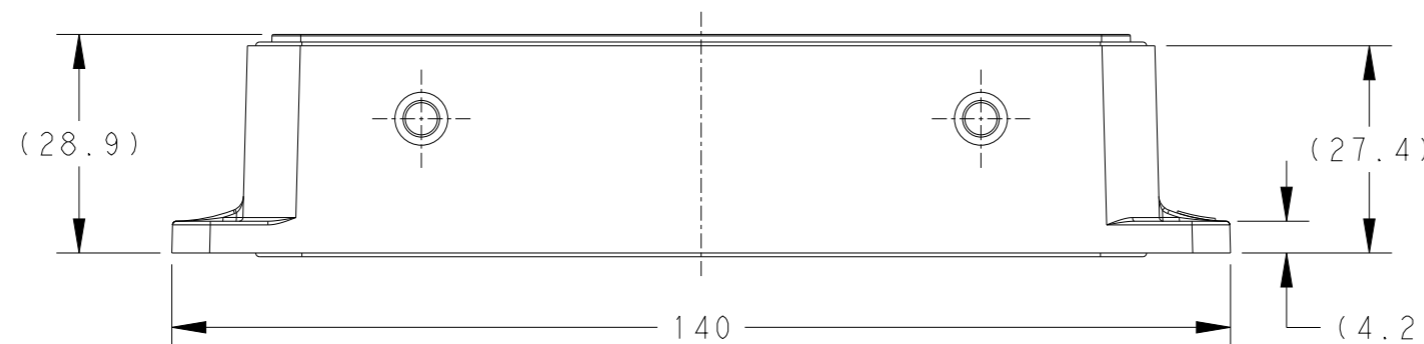
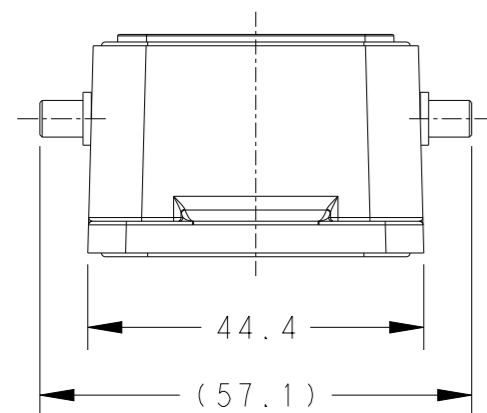
P	LTR	DESCRIPTION	DATE	DWN	APVD
A1	ECR-15-010519		20JUN2015	DW	CW
A2	ECR-16-010326		07JUL2016	DW	CW
A3	ECR-16-018349		30DEC2016	DW	CW
B	ECR-21-108563		28JUL2021	WQR	CW



NOTES:
 1. TECHNICAL CHARACTERISTICS:
 HOUSING MATERIAL: DIE CAST ALUMINIUM ALLOY
 HOUSING SURFACE: CONDUCTIVE PAINTING
 HOUSING SURFACE COLOR: TRANSPARENCY
 HOUSING RESISTANCE: ≤10 mΩ
 SEAL MATERIAL: CONDUCTIVE NBR
 DEGREE OF PROTECTION: IP65 (MATED)

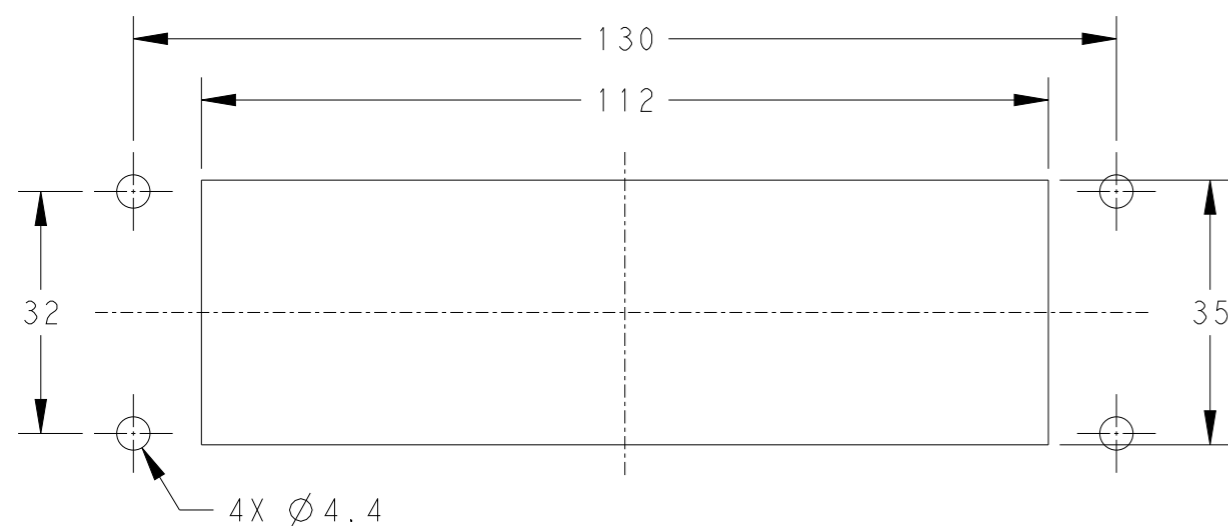
注释:
 1. 技术参数:
 下壳材料: 铝合金
 下壳表面处理: 喷导电漆
 下壳表面处理颜色: 透明
 下壳电阻: ≤10 mΩ
 密封圈材料: 导电NBR
 防护等级: IP65(配合)

SCALE 1:2



SCALE 4:5

PANEL CUT OUT



T1425240000-000	H24B-AG-BO-EMC	H24B EMC HOUSING, BULKHEAD MOUNTED, 4 EAR, NO LOCKING H24B屏蔽下壳, 开孔安装, 4耳, 不带锁扣
-----------------	----------------	---

PART NUMBER 零件料号	PART DESCRIPTION 零件描述
---------------------	--------------------------

THIS DRAWING IS A CONTROLLED DOCUMENT.	DWN 10JUL2014 DAVID WANG	 TE Connectivity
DIMENSIONS: mm	CHK 10JUL2014 CHRIS WANG	
	APVD 10JUL2014 XIANG XU	
TOLERANCES UNLESS OTHERWISE SPECIFIED: 0 PLC ±- 1 PLC ±- 2 PLC ±- 3 PLC ±- 4 PLC ±- ANGLES ±- FINISH -		

NAME H24B-AG-BO-EMC		SIZE A3		CAGE CODE 00779		DRAWING NO T1425240000000		RESTRICTED TO -	
MATERIAL -		WEIGHT -		SCALE 1:1		SHEET 1 OF 1		REV B	