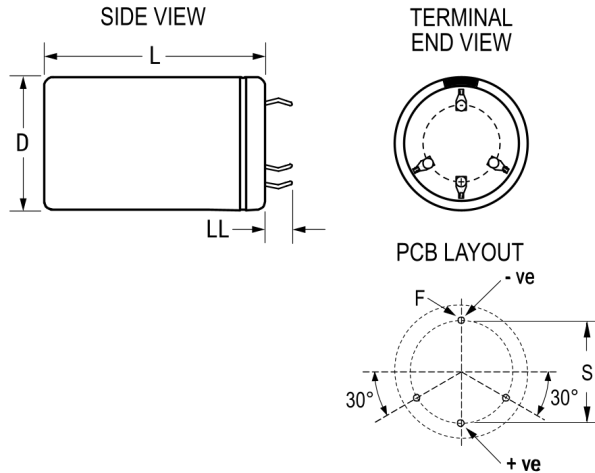


PEH534YDB3150M4

Aliases (A561EC151M450C)

PEH534, Aluminum Electrolytic, 150 uF, 20%, 450 VDC, -40/+105°C



Click [here](#) for the 3D model.

Dimensions

D	35mm +/-0.5mm
L	25mm +/-1mm
S	22.5mm NOM
LL	6.3mm +/-1mm
F	2mm +/-0.1mm

Packaging Specifications

Packaging	Bulk, Bag
Packaging Quantity	200

General Information

Series	PEH534
Dielectric	Aluminum Electrolytic
Description	Snap-In, Aluminum Electrolytic
RoHS	Yes
Lead	4 Pin
AEC-Q200	No
Component Weight	32 g
Notes	Add 0.5mm To D And 1mm To L For Sleeving.
Shelf Life	208 Weeks

Specifications

Capacitance	150 uF
Capacitance Tolerance	20%
Voltage DC	450 VDC
Temperature Range	-40/+105°C
Rated Temperature	105°C
Life	3000 Hrs (Rated Voltage And Ripple Current At 105C), 4000 Hrs (Rated Voltage At 105C)
Resistance	570 mOhms (100Hz 20C), 330 mOhms (100kHz 20C)
Ripple Current	0.9 Amps (100Hz 105C), 5.9 Amps (20kHz 40C)
Leakage Current	203 uA (5min 20°C)