

# C3216X8L1E106K160AE

TDK Item Description : C3216X8L1E106KT\*\*\*S

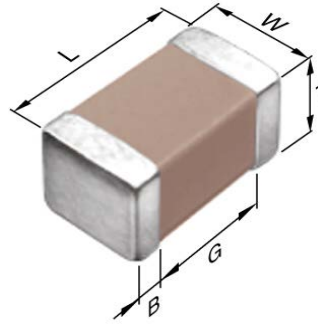


## Application & Main Feature

Commercial Grade ( Soft Termination )

## Series

C3216 [EIA 1206]



## Dimensions

L	3.20mm +0.4,-0.2mm
W	1.60mm +0.3,-0.2mm
T	1.60mm +0.3,-0.2mm
B	0.20mm Min.
G	1.00mm Min.

## Temperature Characteristic

X8L (-55 to 150 degC +15,-40%)

## Rated Voltage

1E(25Vdc)

## Capacitance

10uF

## Capacitance Tolerance

K ( $\pm 10\%$ )

## Dissipation Factor

5% Max.

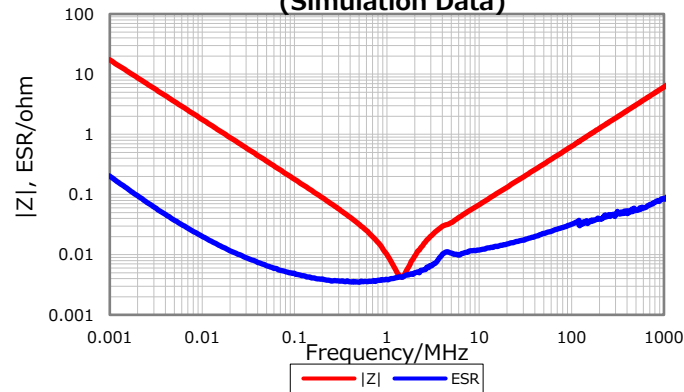
## Insulation Resistance

50Mohm Min.

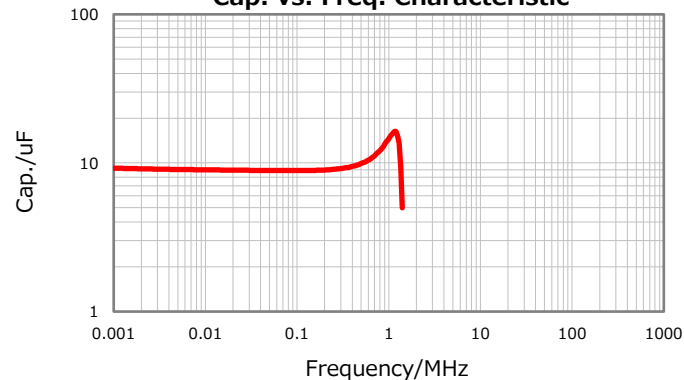
## AEC-Q200

Not Applicable

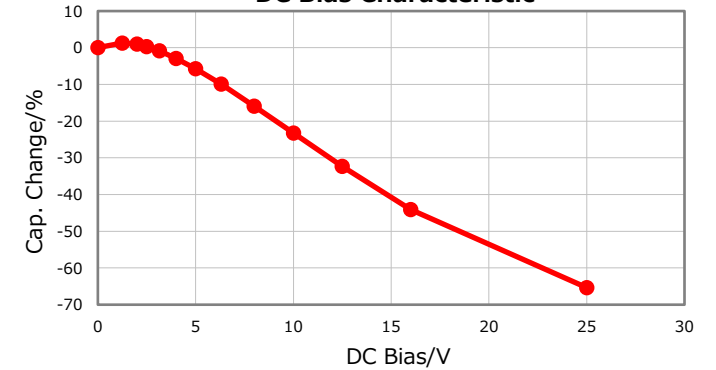
## |Z|, ESR vs. Freq. Characteristics (Simulation Data)



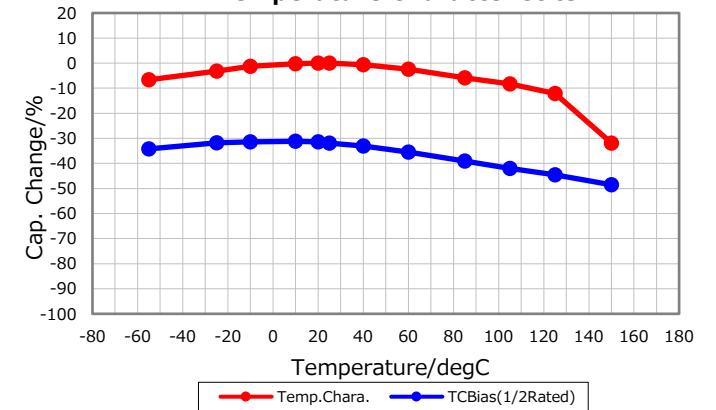
## Cap. vs. Freq. Characteristic



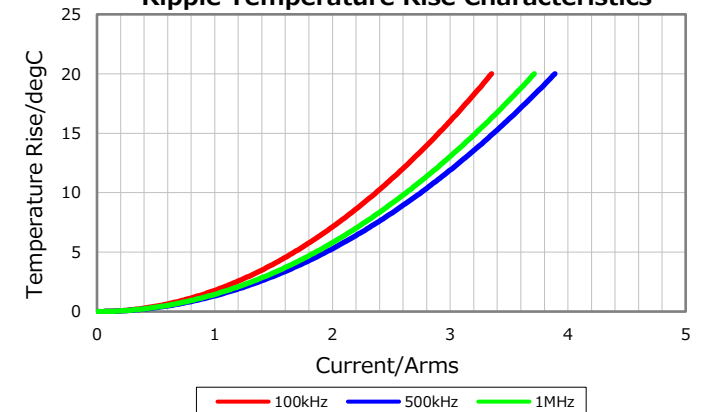
## DC Bias Characteristic



## Temperature Characteristics



## Ripple Temperature Rise Characteristics



Characterization Sheet ( Multilayer Ceramic Chip Capacitors )



All specifications are subject to change without notice.

November 13, 2018