

1 2 3 4 5 6 7

A

A

B

B

C

C

D

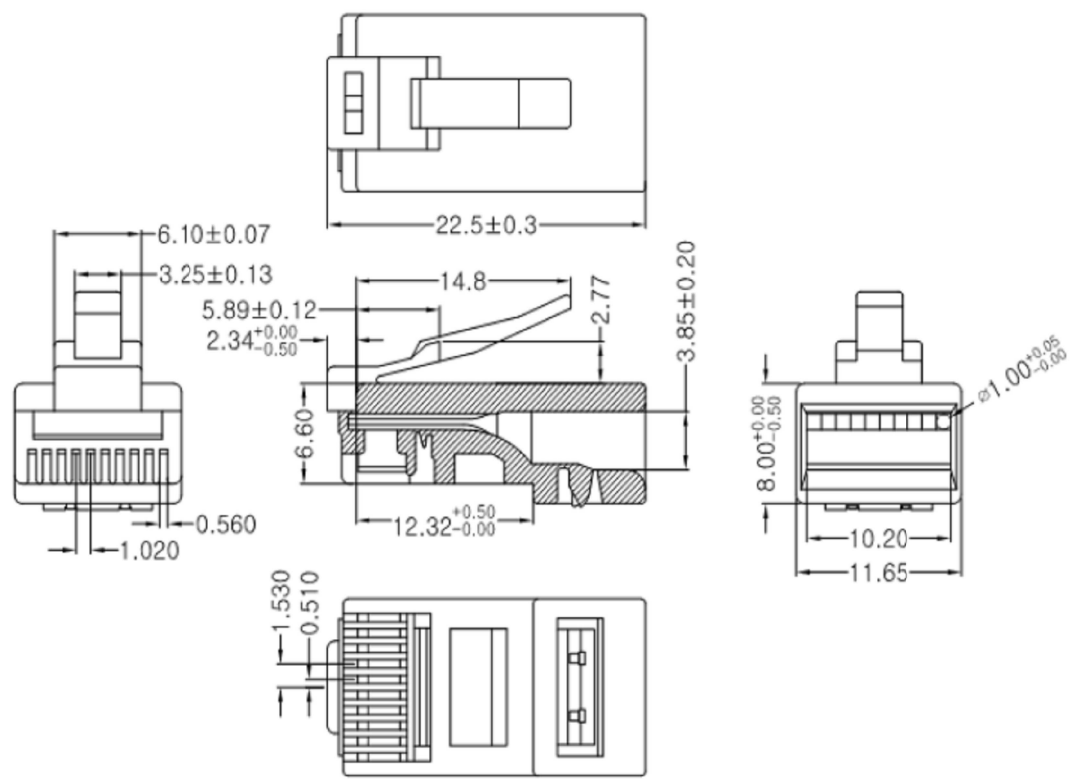
D

E

E

F

F



Specifications:

Material:

Housing: Poly Carbonate(PC) UL94V-2
 Contact: Phosphor Bronze with 2 prongs
 Plating: 50u" gold plated
 100u" Nickel under plated
 Operating temperature: -40°C to +125°C


Electrical:

Current rating: 250V AC max. at 2A
 Dielectric: 500V AC
 Insulation resistance: 500MΩ
 Termination resistance: 35mΩ max after environmental tests
 Tensile strength: 20 LBS (89N) min.
 Durability: 500 mating cycles

Complies with FCC68/F

- ① Wire gauge: 30AWG-24AWG Stranded wire
- Cable OD size: flat cable 2.5x10.8±0.02mm
- Wire size: 0.95±0.05mm

RoHS compliant
 Unit: mm

Scale	Free					Date	Name	Customer-No.	
TOLERANCE					Drawn	13.06.2016	Winnie		
X.X	±0.20				Approved	03.04.2019	Amy	ASSMANN WSW-No.	
X.XX	±0.10							A-MO 10/10-F50	
X.XXX	±0.05							Drawing-No.	
DIM	TOL	①	Add cable wire size information	03.04.2019	Amy			ASS 7276 CO	rev01
Angle	±2°	②	Drawn	13.06.2016	Winnie			Replace	Sheet
Angle	TOL	Id.	Modification	Date	Name				

G

G

H

H

1 2 3 4 5 6 7