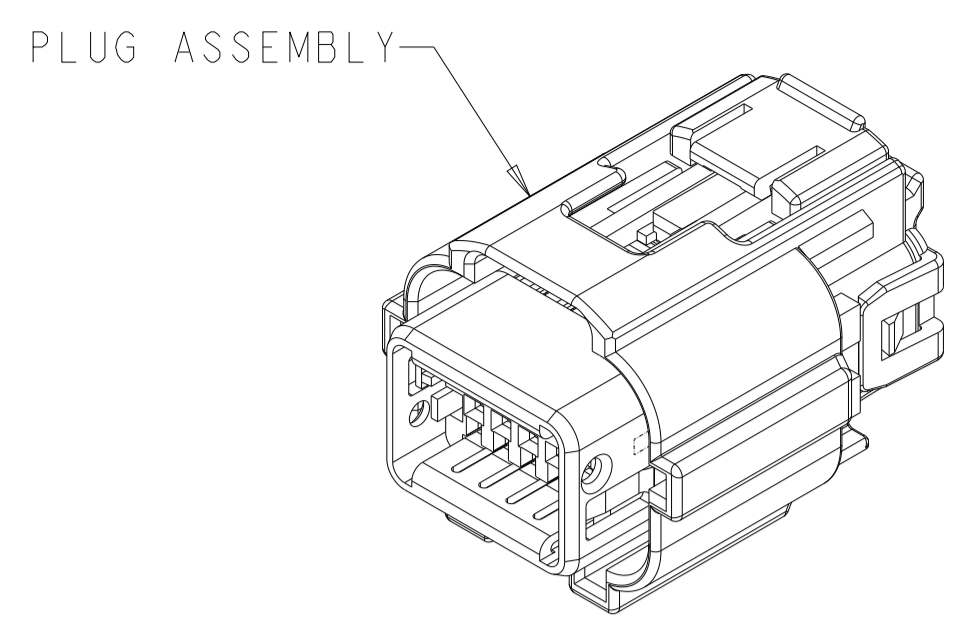
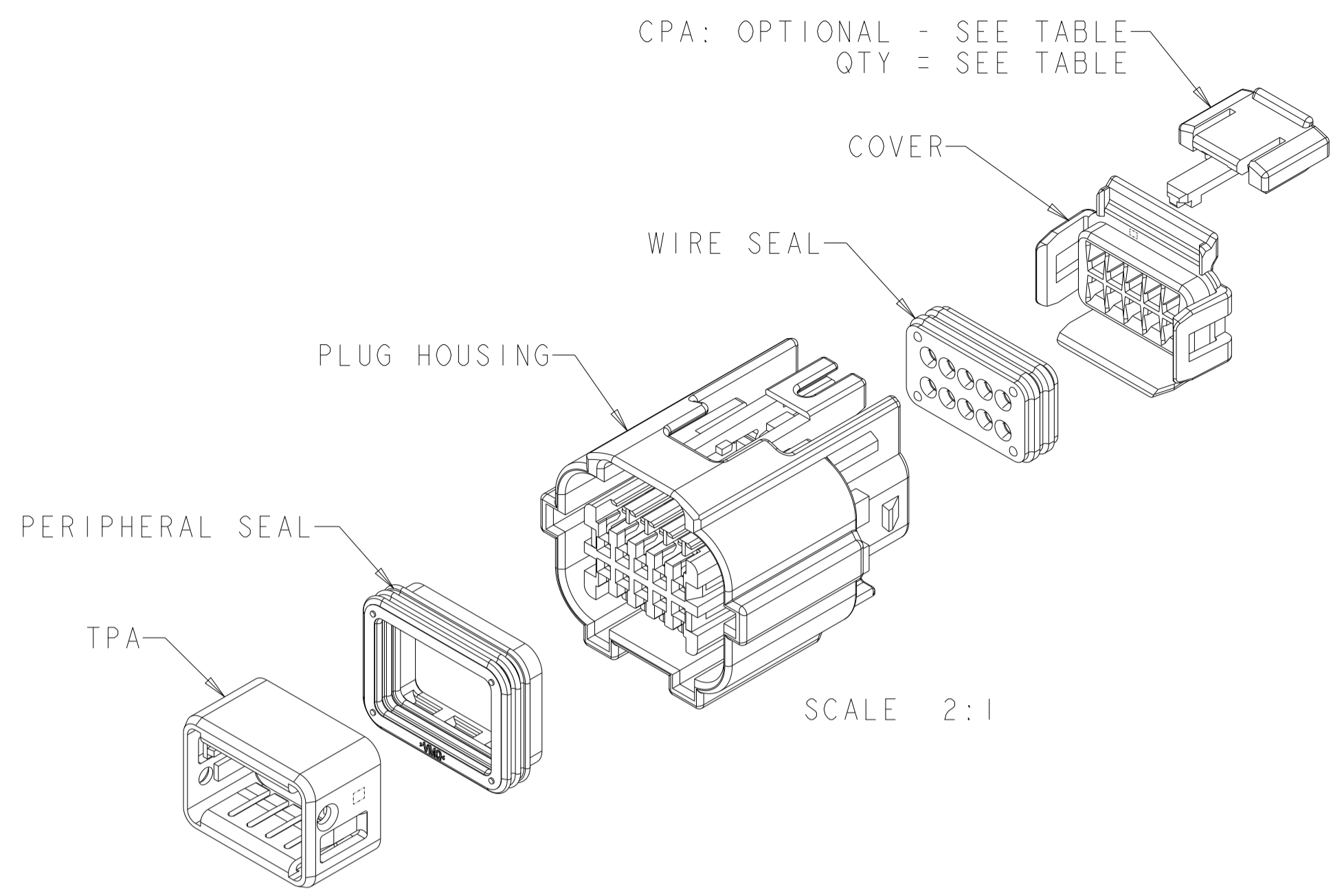
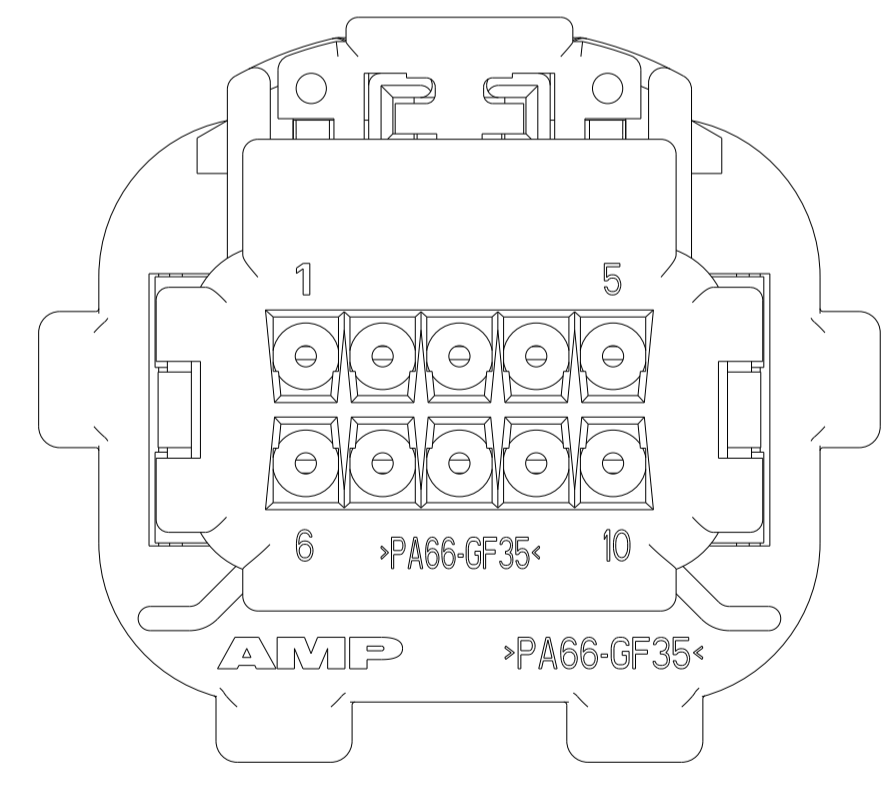
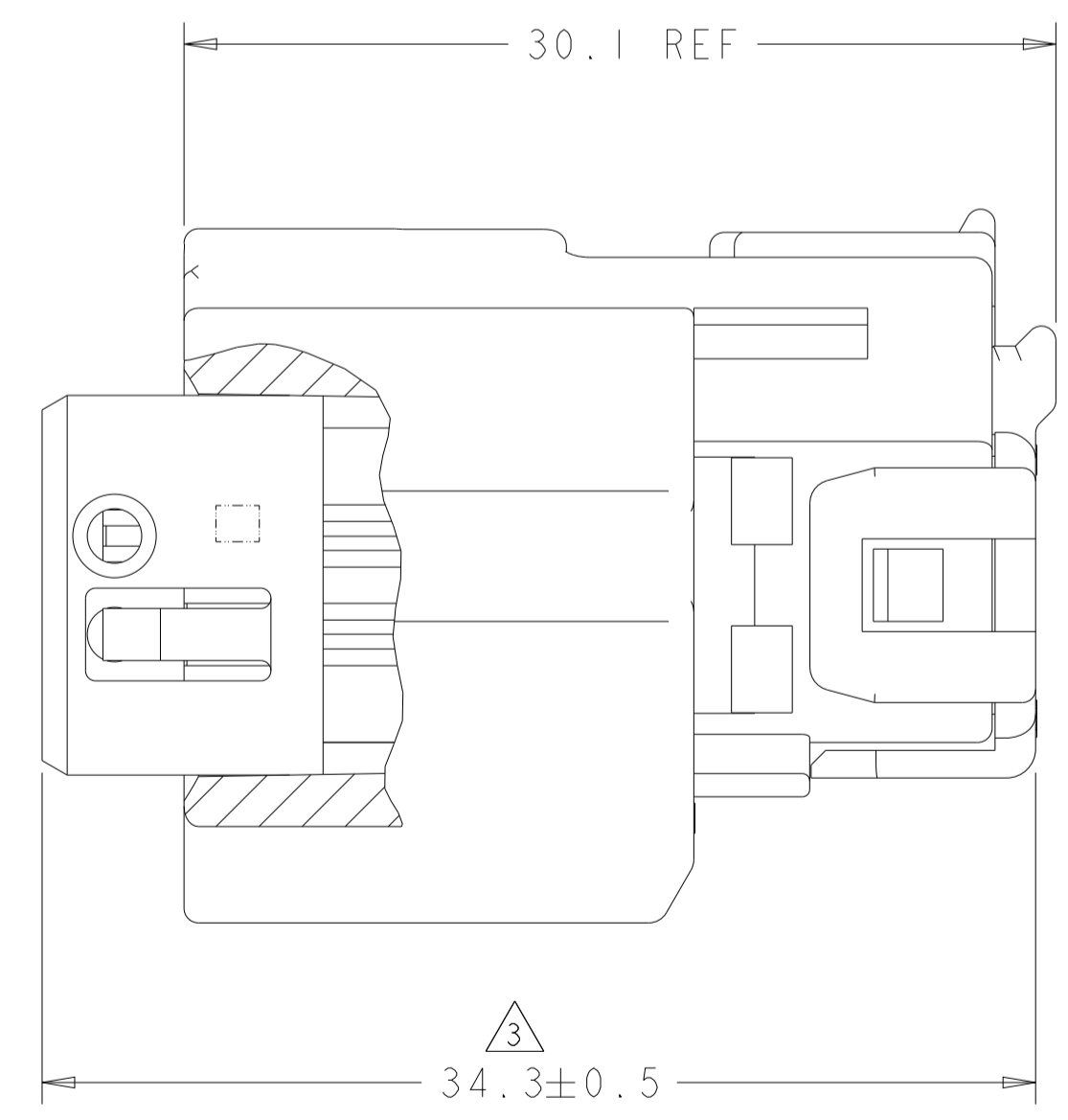
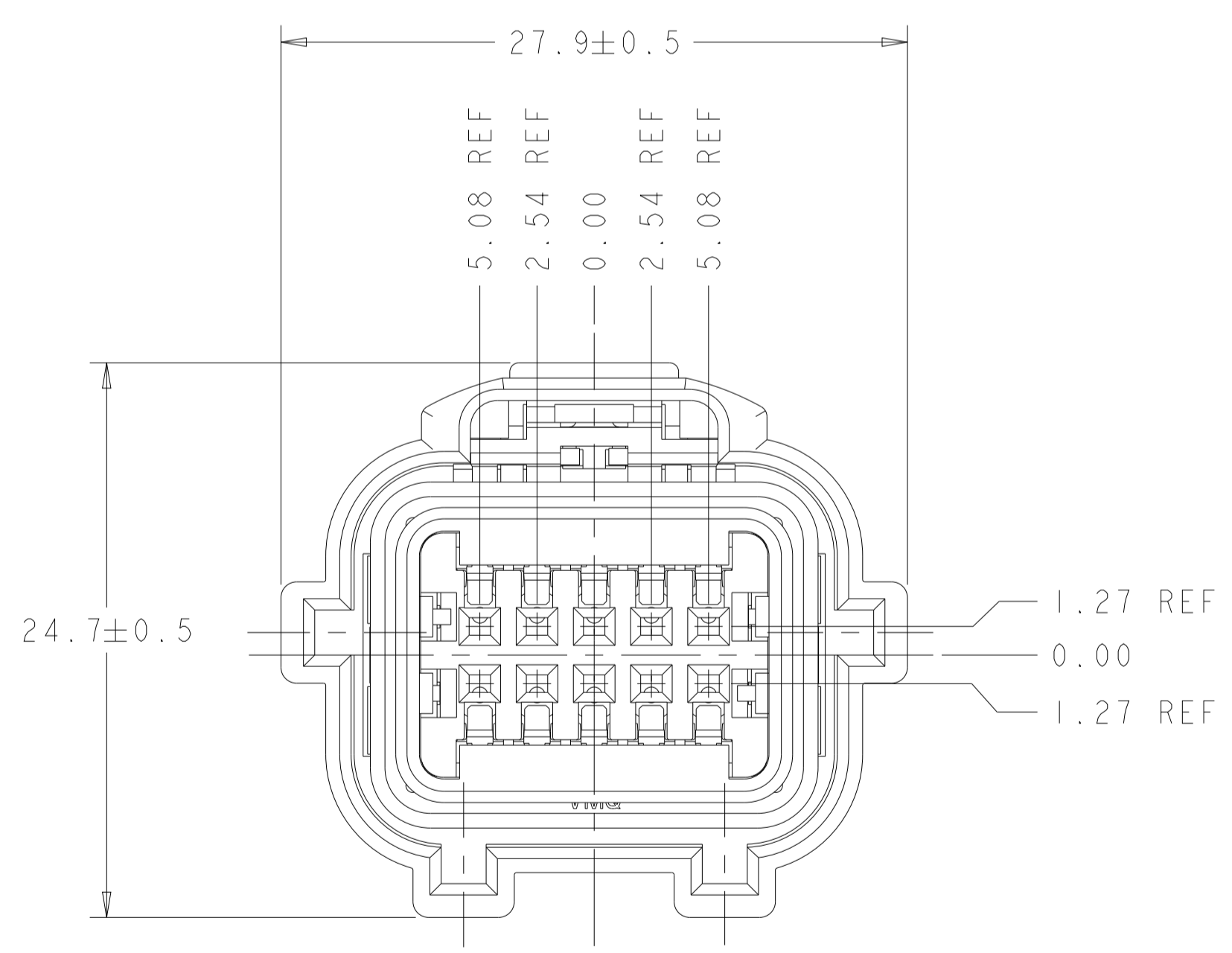
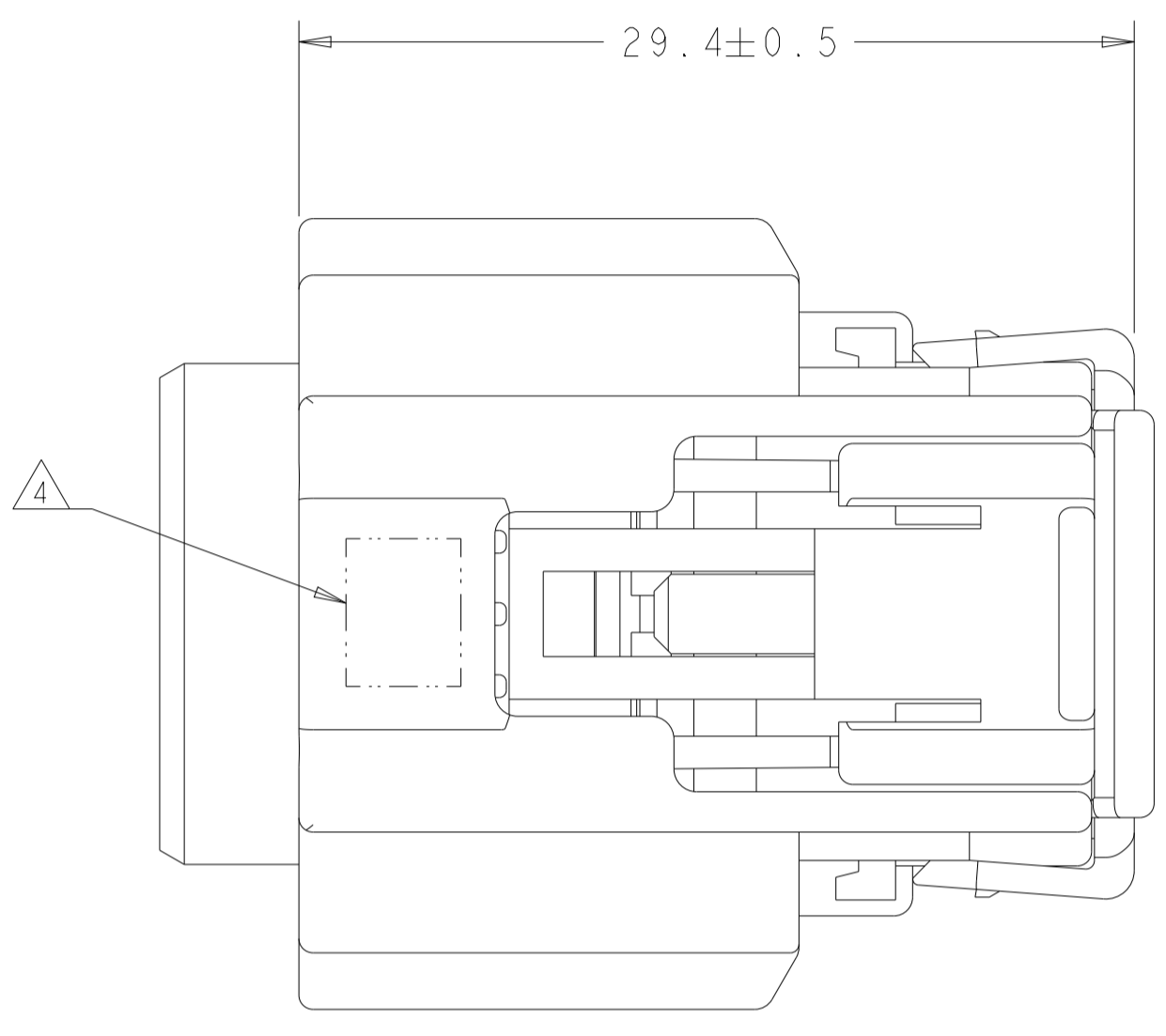


REVISIONS					
P	LTM	DESCRIPTION	DATE	OWN	APVD
K8		REVISED PER ECO-12-003785	16DEC2016	DD	MB
K9		REVISED PER ECO-20-012419	23APR2021	AP	JRV
K10		REVISED PER ECN-21-120512	10OCT2021	CN	JV
K11		REVISED PER ECN-21-125441	09NOV2021	CN	JV



SCALE 2:1

- 638517-5 SHOWN.
- PLUG HOUSING: NYLON 6/6, 35% GLASS FILLED, 25% MAX REGRIND. COLOR: SEE TABLE.
 COVER: NYLON 6/6, 35% GLASS FILLED, BLACK, 25% MAX REGRIND.
 TPA: NYLON 6/6, 35% GLASS FILLED, RED, 25% MAX REGRIND.
 PERIPHERAL SEAL AND WIRE SEAL: SILICONE RUBBER, DARK BLUE.
 CPA: PBT, 15% GLASS, RED
- TPA SHOWN IN PRE-LATCHED POSITION.
- MARK FOUR DIGIT JULIAN DATE CODE (DDDY), LOCATED IN APPROXIMATE AREA SHOWN.
- TERMINALS SOLD SEPARATELY, SEE AMP RECOMMENDED P/N 1326028 (GOLD) OR 638551 (TIN) FOR TERMINATION AND REELING OPTIONS.
- PRELIMINARY - NOT RELEASED FOR PRODUCTION.



OBSOLETE	YELLOW	I	"A"	5-638517-4
	BLACK	I	"A"	3-638517-2
	BLACK	I	"A"	3-638517-1
	BLACK	I	"A"	3-638517-0
	BLACK	I	"A"	2-638517-9
	BLACK	I	"A"	2-638517-8
	BLACK	I	"A"	2-638517-7
	BLACK	I	"A"	2-638517-6
	BLACK	I	"A"	2-638517-5
6	TBD	I	"A"	2-638517-4
6	TBD	I	"A"	2-638517-3
	BLACK	I	"A"	2-638517-2
	BLACK	I	"A"	2-638517-1
	TBD	I	"D"	638517-8
	TBD	I	"C"	638517-7
	TBD	I	"B"	638517-6
	BLACK	I	"A"	638517-5
PLUG HOUSING COLOR	CPA QTY	KEYING ARRANGEMENT (SEE SHEET 2)		PART NUMBER

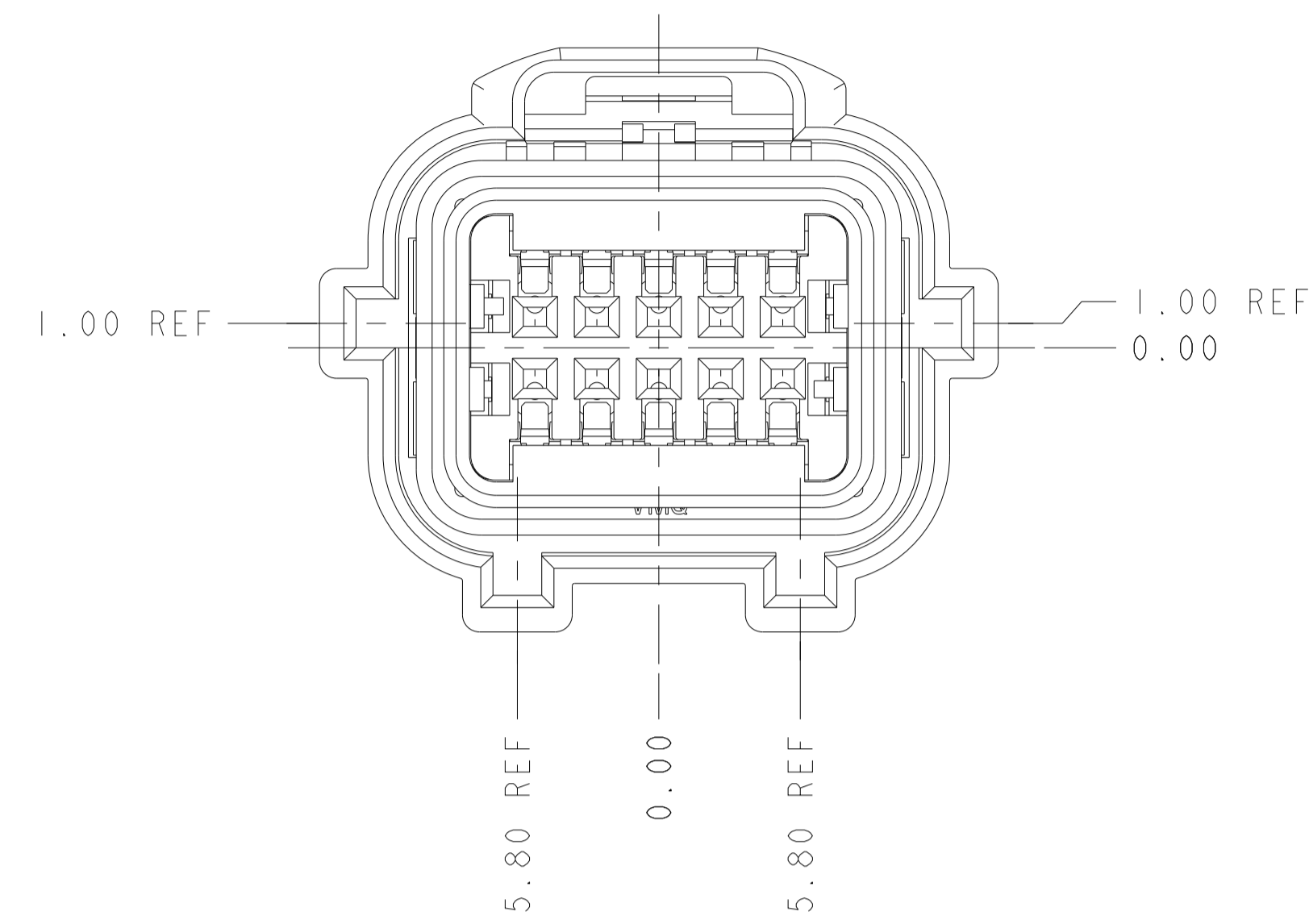
THIS DRAWING IS A CONTROLLED DOCUMENT.		OWN	H. FOLTZ	22FEB00
DIMENSIONS:		CHK	M. SHORE	08MAY01
TOLERANCES UNLESS OTHERWISE SPECIFIED:		APVD	G. BALON	08MAY01
mm		NAME		
0 PLC	±	PRODUCT SPEC		
1 PLC	±0.2	SAE/USCAR-2 8/97		
2 PLC	±0.10	APPLICATION SPEC		
3 PLC	±	SIZE		
4 PLC	±	CAGE CODE		
ANGLES	±	DRAWING NO		
FINISH	±	RESTRICTED TO		
MATERIAL		WEIGHT	A100779C=638517	
		CUSTOMER DRAWING	SCALE 4:1	SHEET 1 OF 3

TE Connectivity

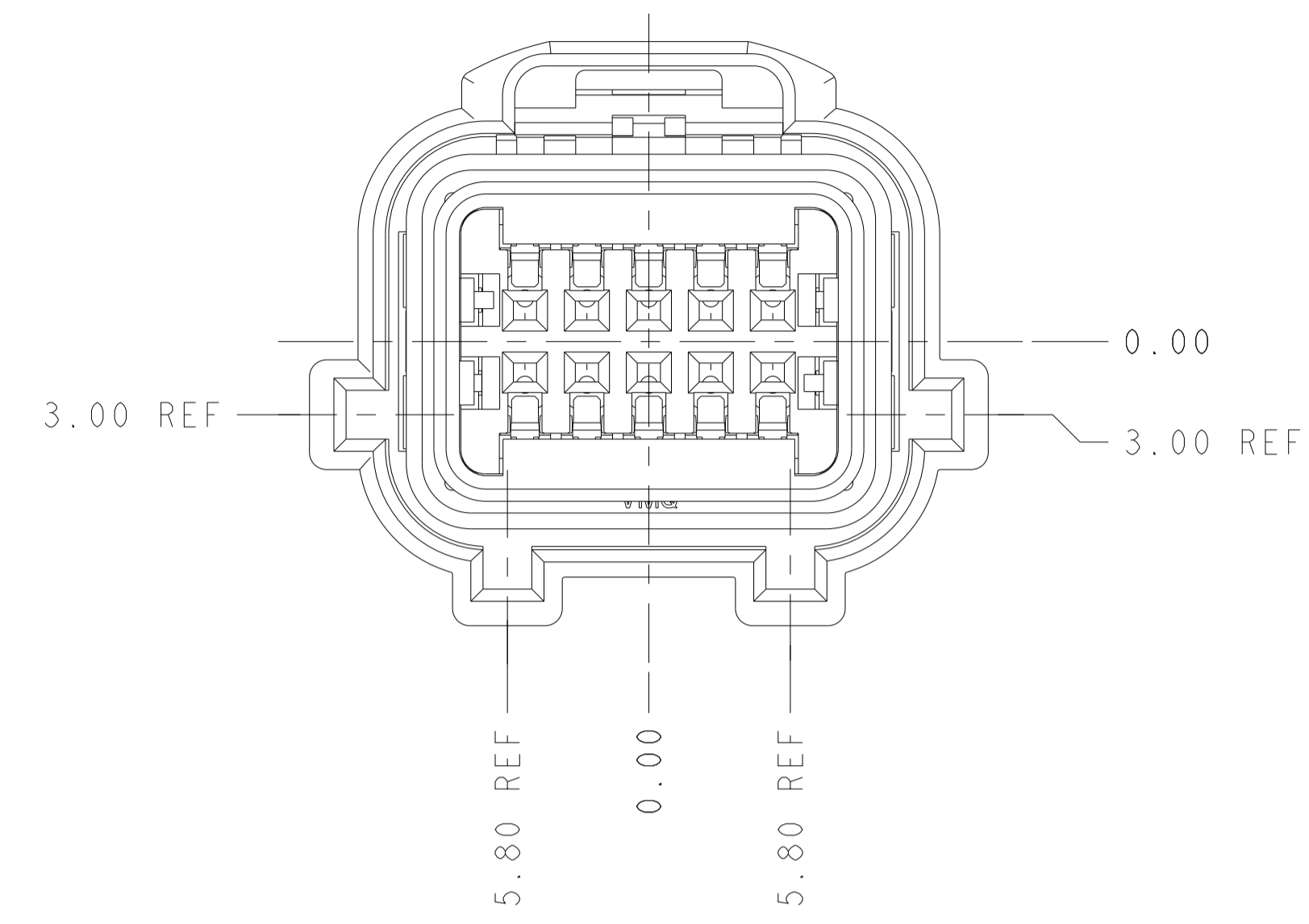
PLUG ASSEMBLY, 10 POSITION 2X5, SEALED, 0.64mm CONNECTOR

4805 (3/13)

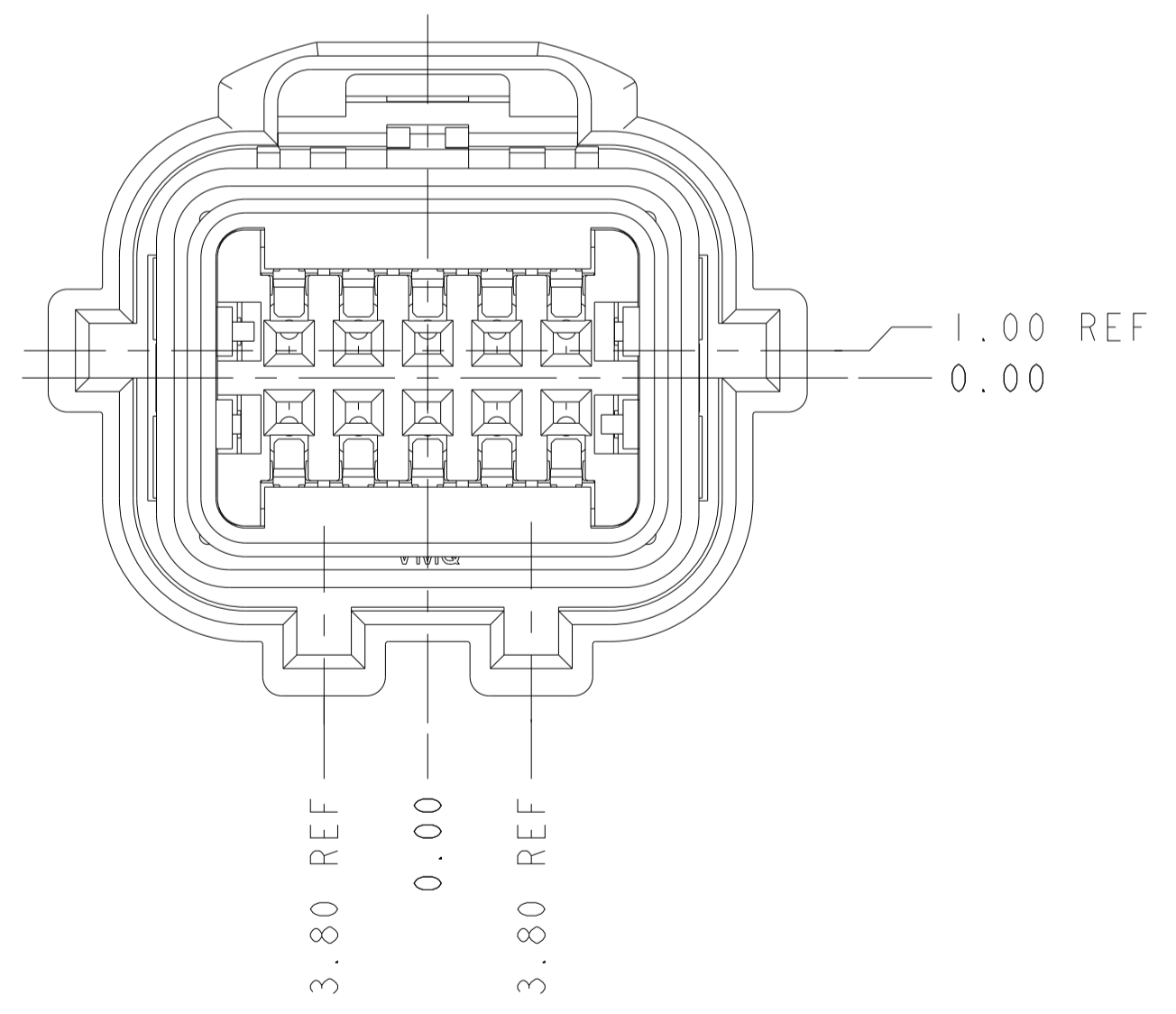
REVISIONS				
P	LTN	DESCRIPTION	DATE	APP'D
-		SEE SHEET 1	-	-



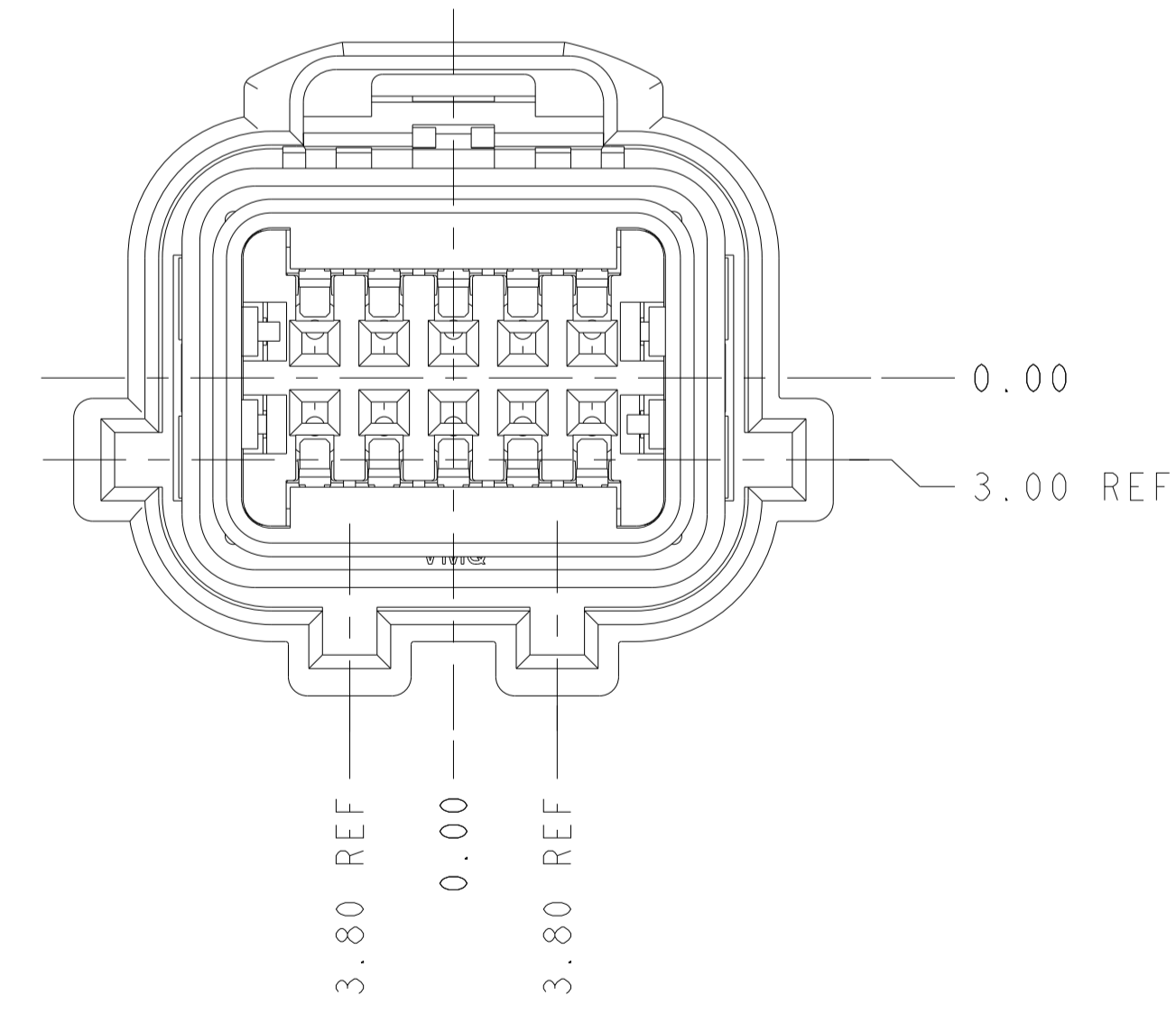
KEY CODE "A"
 (APPLIES TO -5, 2--1, 2--2,
 2--3 THRU 3--1 & 5--4 ONLY)
 SCALE 4:1



KEY CODE "B"
 (APPLIES TO -6 ONLY)
 SCALE 4:1



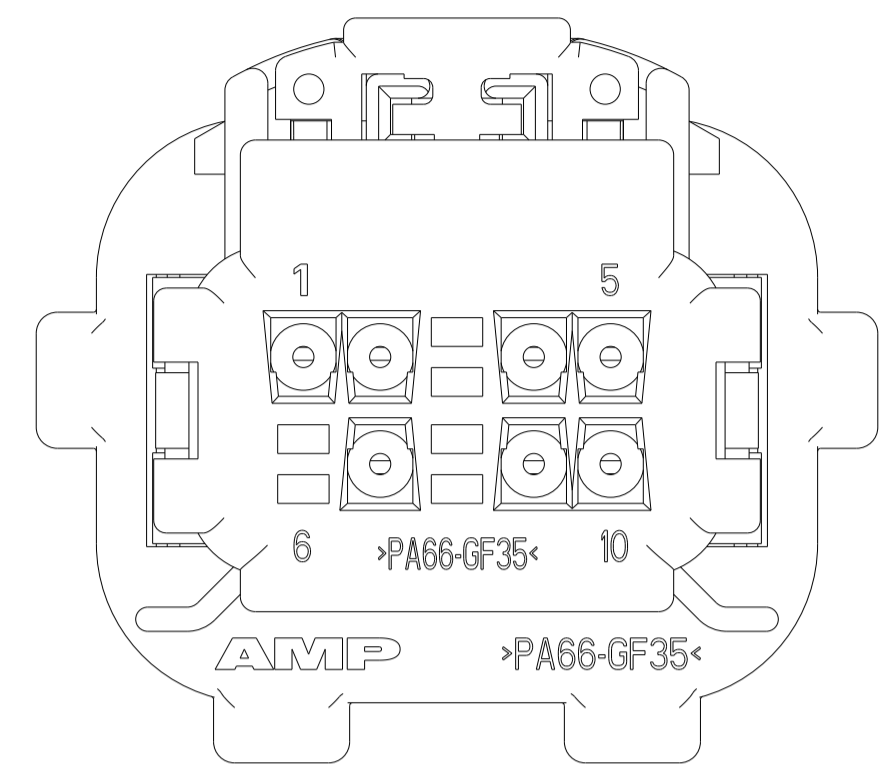
KEY CODE "C"
 (APPLIES TO -7 ONLY)
 SCALE 4:1



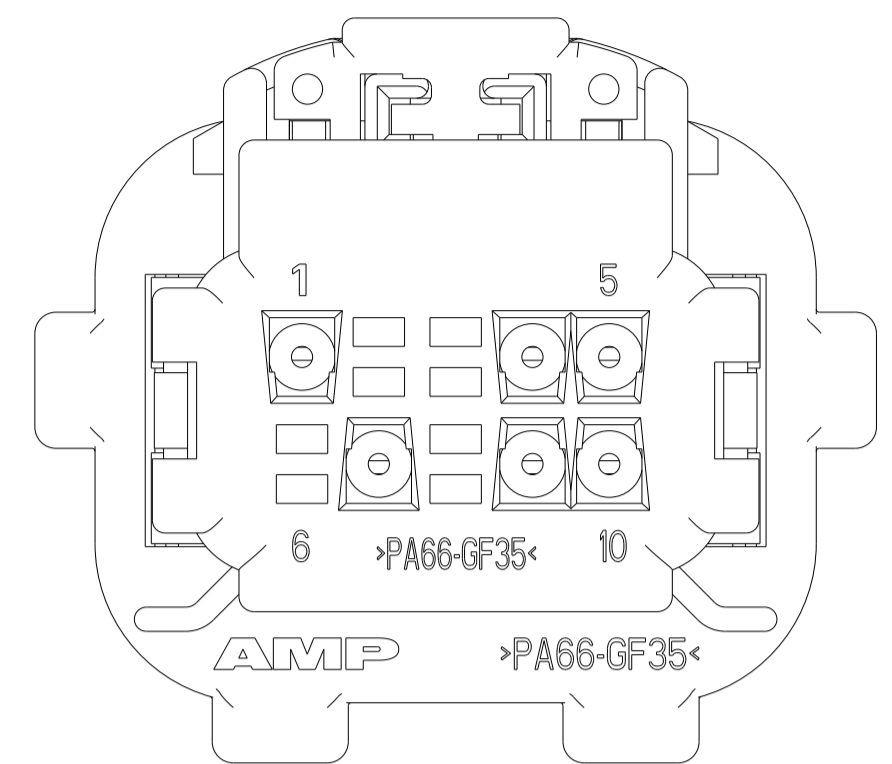
KEY CODE "D"
 (APPLIES TO -8 ONLY)
 SCALE 4:1

THIS DRAWING IS A CONTROLLED DOCUMENT.		DWN K. FOLTZ	22FEB00		TE Connectivity
DIMENSIONS:		CHK M. SHORE	08MAY01		
TOLERANCES UNLESS OTHERWISE SPECIFIED:		APVD G. BALON	08MAY01	NAME	
mm		PRODUCT SPEC		PLUG ASSEMBLY, 10 POSITION 2X5, SEALED, 0.64mm CONNECTOR	
0 PLC ±		SAE/USCAR-2 8/97		APPLICATION SPEC	
1 PLC ±0.2		SIZE		CAGE CODE	
2 PLC ±0.10		A100779		DRAWING NO	
3 PLC ±		C=638517		RESTRICTED TO	
4 PLC ±		WEIGHT		-	
ANGLES ±		CUSTOMER DRAWING		SCALE 4:1 SHEET 2 OF 3	
FINISH		-		REV K11	

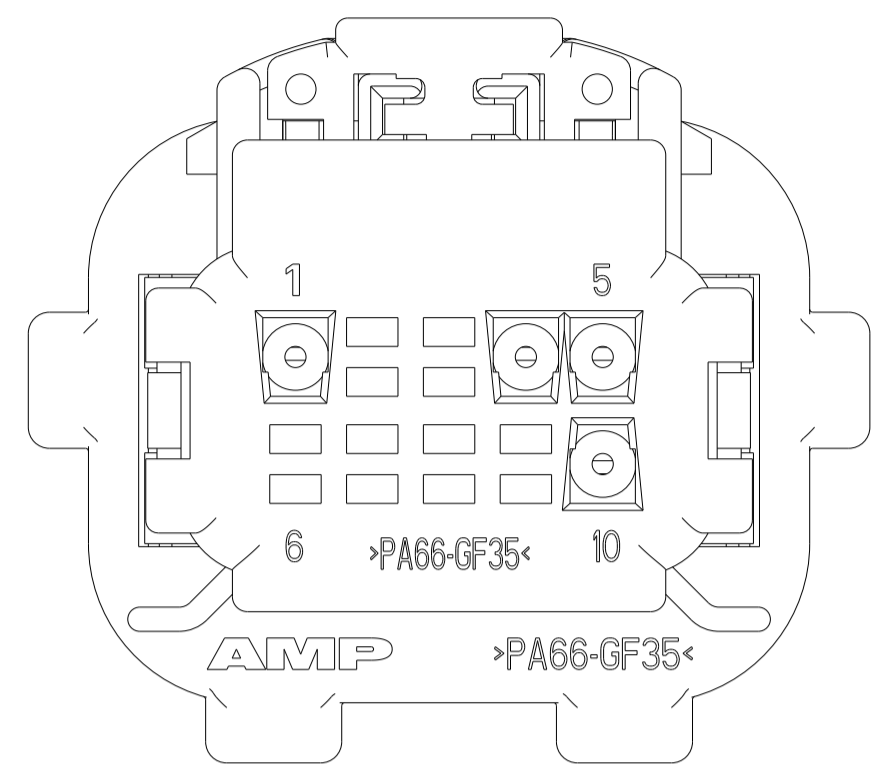
REVISIONS				
P	LTN	DESCRIPTION	DATE	APPD
-		SEE SHEET 1	-	-



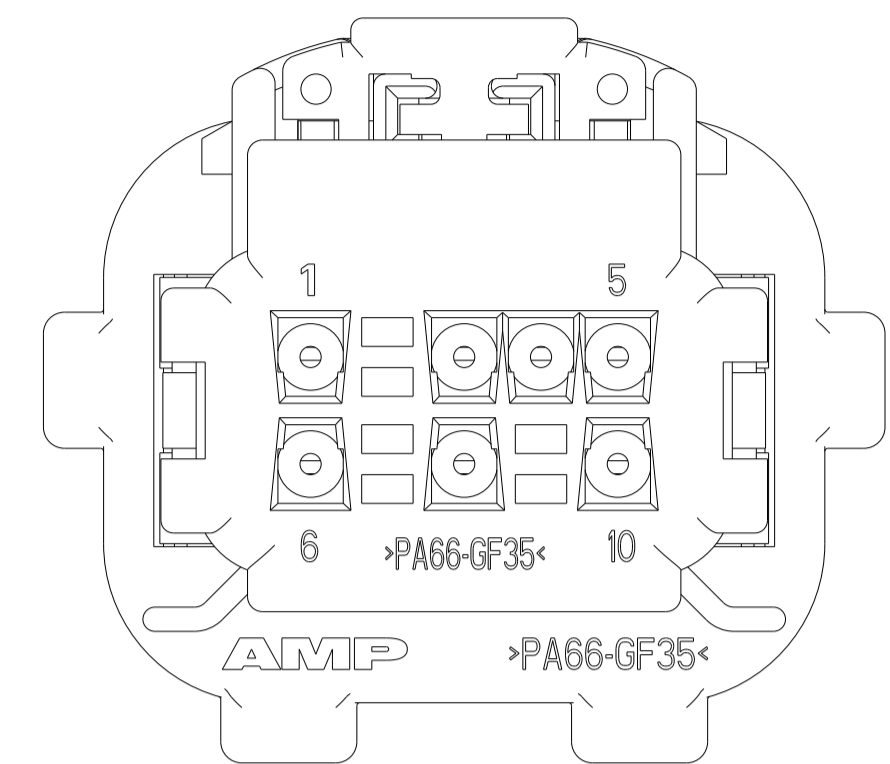
VIEW SHOWS COVER,
FOR 2-638517-1



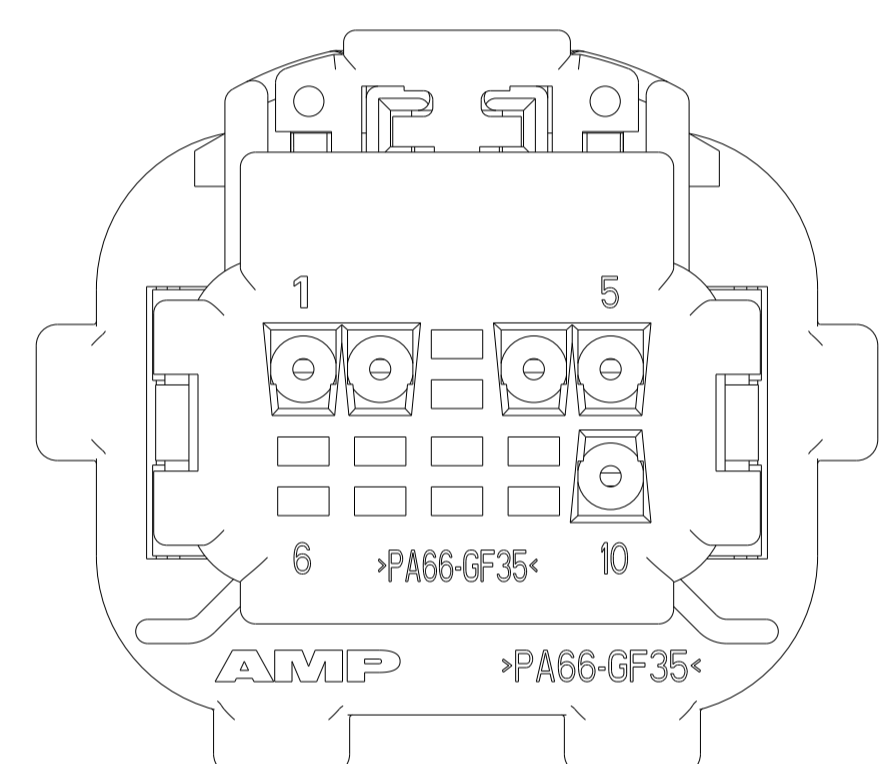
VIEW SHOWS COVER,
FOR 2-638517-2



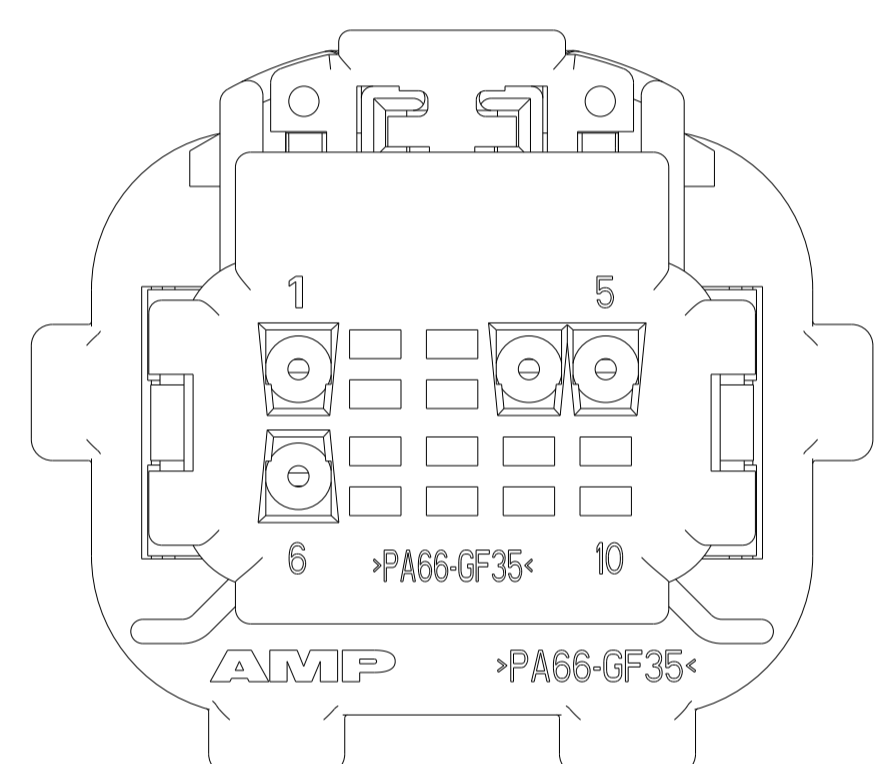
VIEW SHOWS COVER,
FOR 2-638517-3



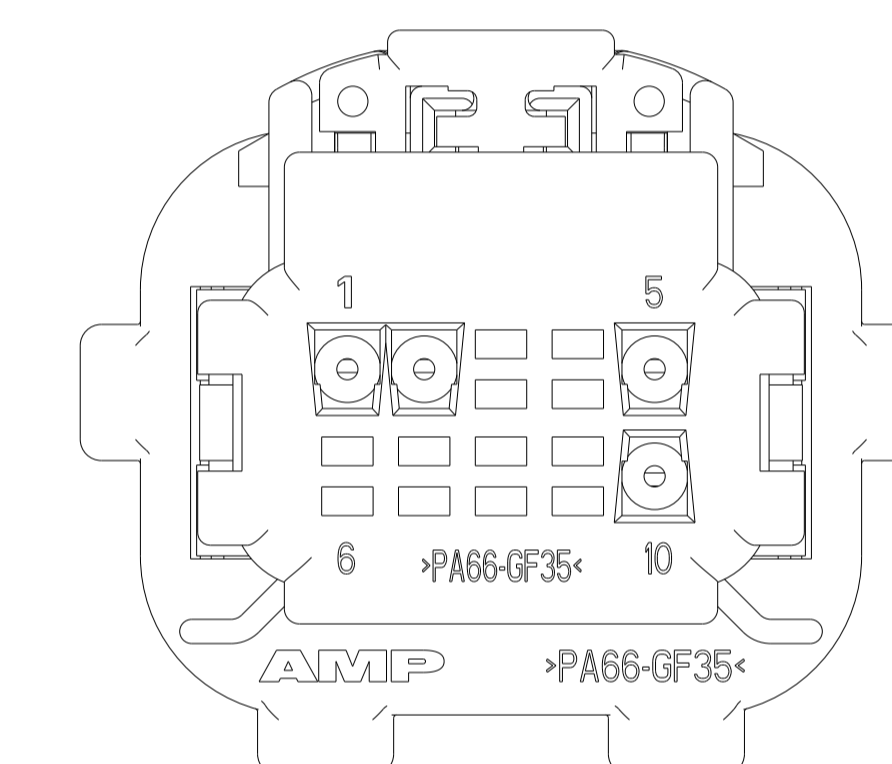
VIEW SHOWS COVER,
FOR 2-638517-4 & 5-638517-4



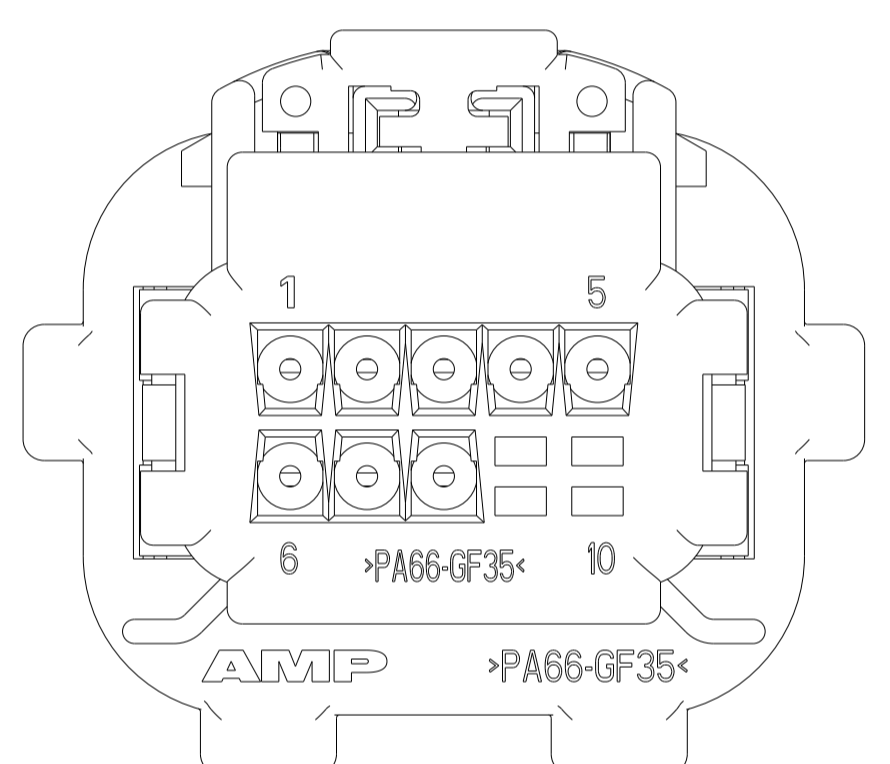
VIEW SHOWS COVER,
FOR 2-638517-5



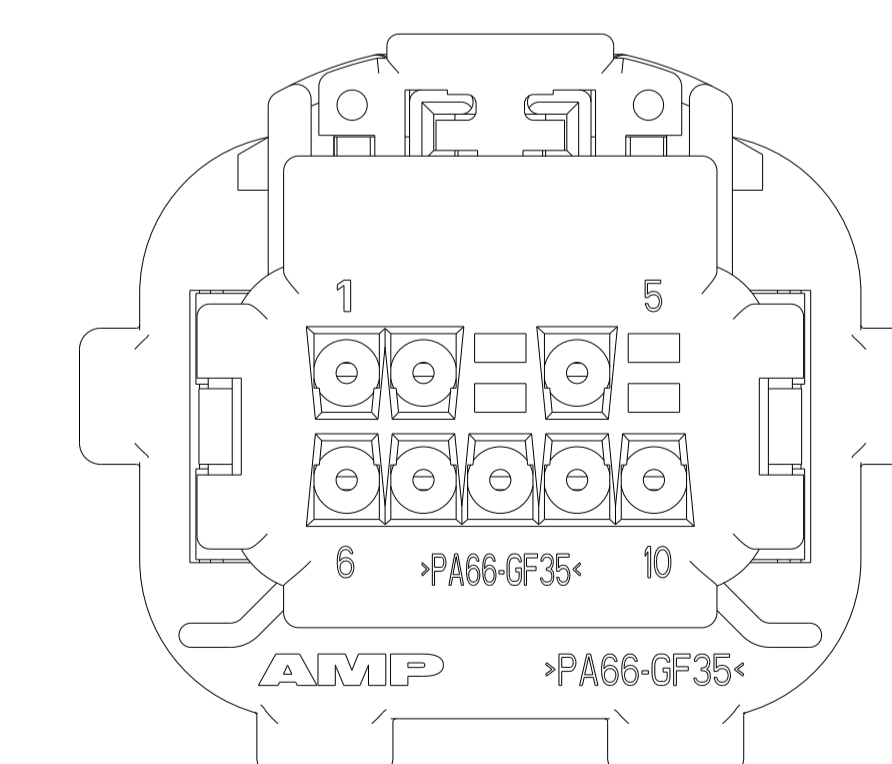
VIEW SHOWS COVER,
FOR 2-638517-6



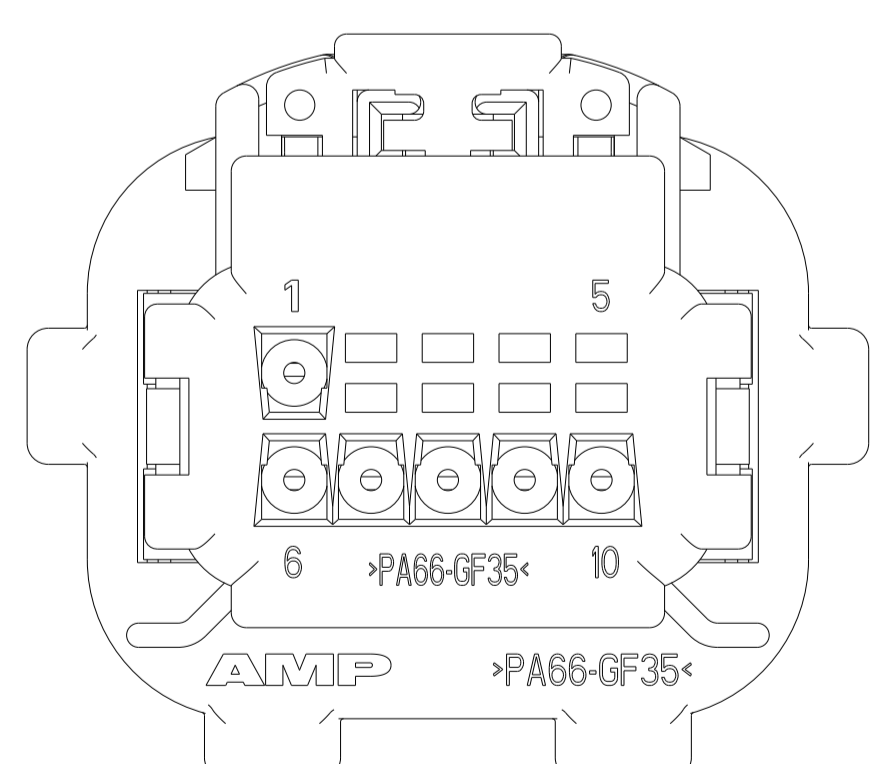
VIEW SHOWS COVER,
FOR 2-638517-7



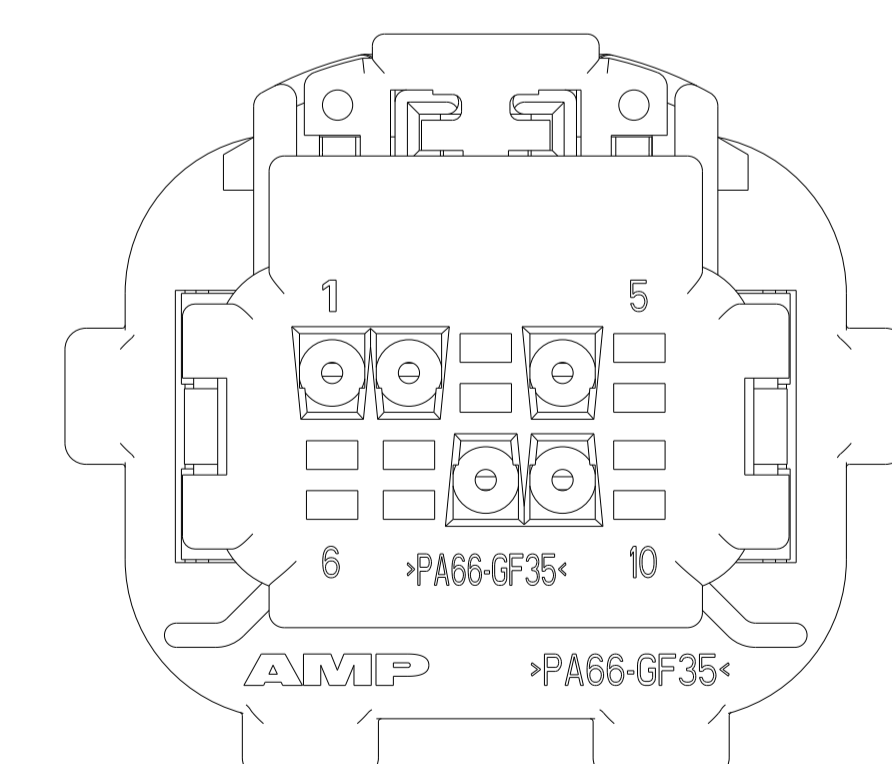
VIEW SHOWS COVER,
FOR 2-638517-8



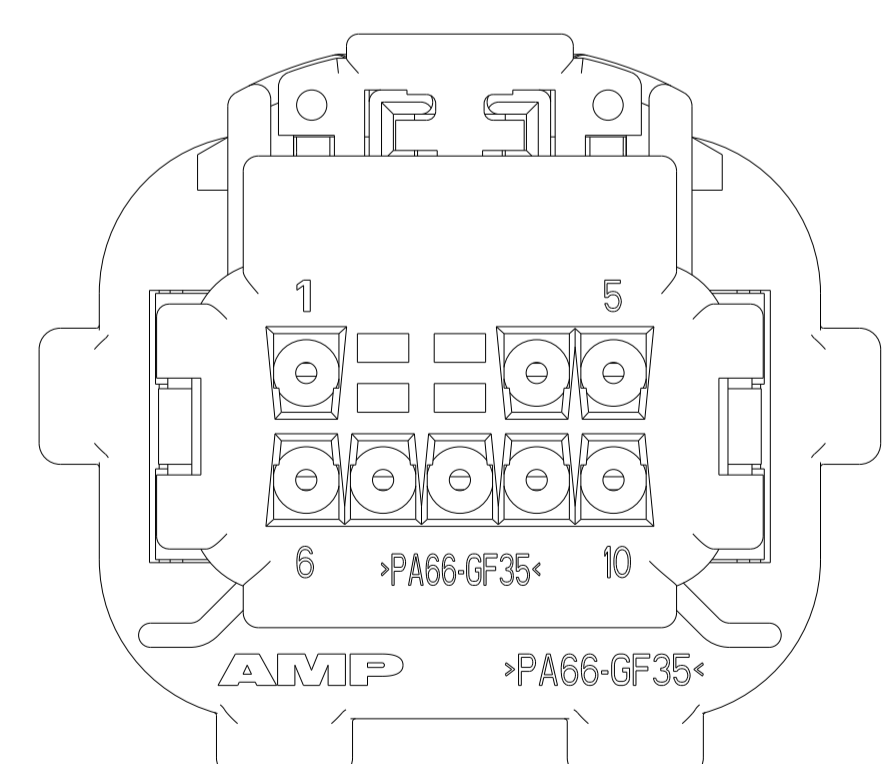
VIEW SHOWS COVER,
FOR 2-638517-9



VIEW SHOWS COVER,
FOR 3-638517-0



VIEW SHOWS COVER,
FOR 3-638517-1



VIEW SHOWS COVER,
FOR 3-638517-2

THIS DRAWING IS A CONTROLLED DOCUMENT.		OWN R. FOLTZ 22FEB00	TE Connectivity														
DIMENSIONS: mm		CHK M. SHORE 08MAY01															
TOLERANCES UNLESS OTHERWISE SPECIFIED:		APVD G. BALON 08MAY01	NAME														
<table border="1"> <tr> <td>0 PLC</td> <td>±</td> </tr> <tr> <td>1 PLC</td> <td>±0.2</td> </tr> <tr> <td>2 PLC</td> <td>±0.10</td> </tr> <tr> <td>3 PLC</td> <td>±</td> </tr> <tr> <td>4 PLC</td> <td>±</td> </tr> <tr> <td>ANGLES</td> <td>±</td> </tr> <tr> <td>FINISH</td> <td>±</td> </tr> </table>		0 PLC	±	1 PLC	±0.2	2 PLC	±0.10	3 PLC	±	4 PLC	±	ANGLES	±	FINISH	±	PRODUCT SPEC SAE/USCAR-2 8/97	PLUG ASSEMBLY, 10 POSITION 2X5, SEALED, 0.64mm CONNECTOR
0 PLC	±																
1 PLC	±0.2																
2 PLC	±0.10																
3 PLC	±																
4 PLC	±																
ANGLES	±																
FINISH	±																
MATERIAL		WEIGHT	RESTRICTED TO														
CUSTOMER DRAWING		SIZE A100779	DRAWING NO C=638517														
		SCALE 4:1	SHEET 3 OF 3														