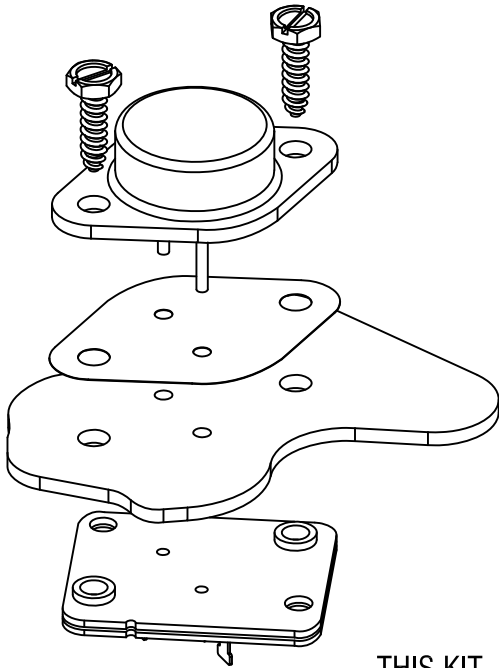


THIS DOCUMENT IS THE PROPERTY OF  
KEYSTONE ELECTRONICS CORP. AND  
SHALL NOT BE REPRODUCED, DISTRIBUTED  
OR USED AS A BASIS FOR MANUFACTURE  
WITHOUT PRIOR WRITTEN PERMISSION  
FROM KEYSTONE ELECTRONICS CORP.



THIS KIT, 4733, CONTAINS THE FOLLOWING ITEMS:

PART NO.	DESCRIPTION	QUANTITY
4706	6-20 SCREW	2
4651	MICA INSULATOR	1
4608	SOCKET	1

**KEYSTONE ELECTRONICS CORP.**

www.keyelco.com • NEW HYDE PARK, NY 11040 • Tel (516) 328-7500

PART NAME

TO-3 TRANSISTOR SOCKET MOUNTING KIT

MATERIAL

AS NOTED

FINISH

AS NOTED

DRN BY

BOONE

DATE

1.26.07

APP'D

LN

SCALE

1X

TOLERANCES

INCH

[MM]

CODE

DWG NO.

DECIMAL  $\pm .005$  [ $\pm 0.13$ ]

C

ANGULAR  $\pm 1^\circ$   
UNLESS OTHERWISE SPECIFIED

**4733**

DATE

DESCRIPTION

REV.