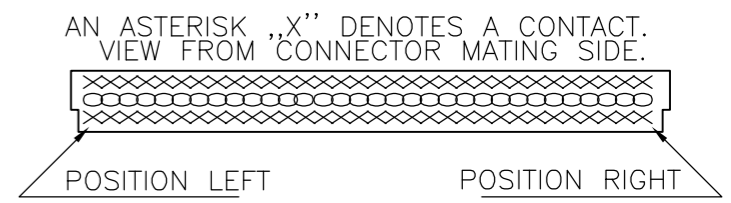
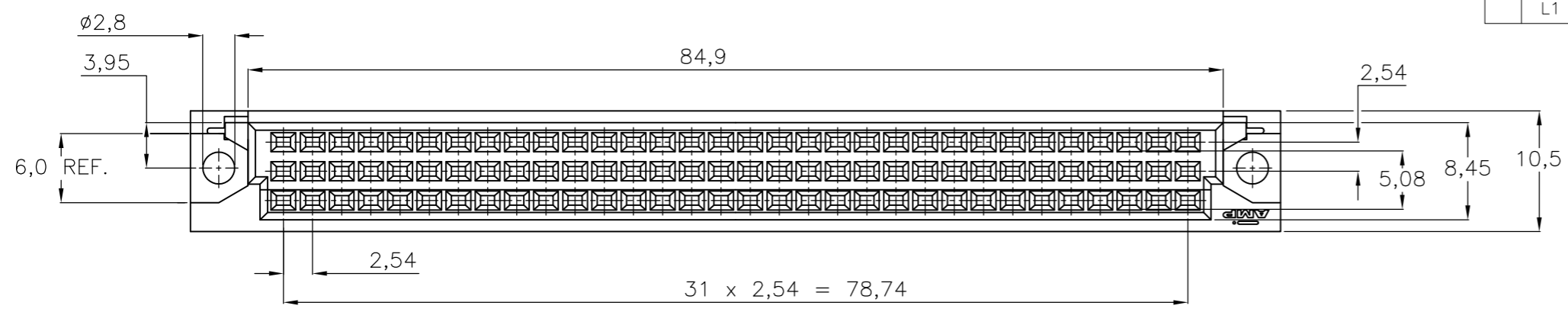
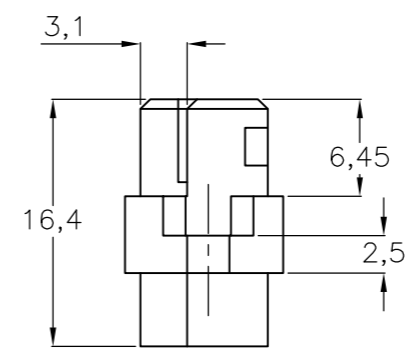
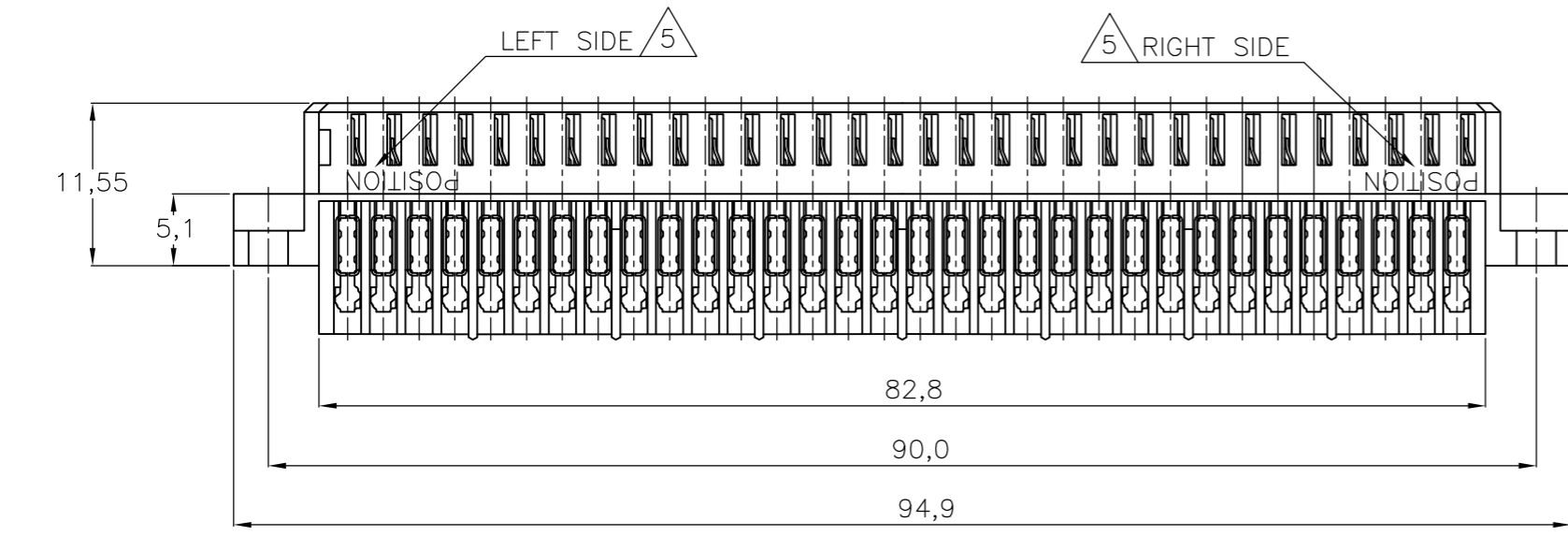


THIS DRAWING IS UNPUBLISHED. RELEASED FOR PUBLICATION
 © COPYRIGHT BY TYCO ELECTRONICS CORPORATION. ALL INTERNATIONAL RIGHTS RESERVED.

LOC	DIST	REVISIONS			
P	LTR	DESCRIPTION	DATE	DWN	APVD
H	—				
	L	ECR-06-012362	23-05-06	BM	JB
	L1	ECR-08-014461	21-10-08	AEG	WRV



DASHNUMBER	CONNECTOR	POSITION	
		LEFT	RIGHT
-1, -2, -3		c1	c32
-4, -5, -6		c32	c1
-8		a1	a32
1-1		a32	a1



NOTES:

- 1 MATERIAL :
 - HOUSING : GLASSFILLED POLYESTER
 - COLOUR : GRAY
 - CONTACTS: PHOSPHORBRONZE
- 2 PLATING CONTACT :
 - 1 : 2,0 μm Au OVER 1,25 μm Ni AT CONTACT AREA. REMAINDER TIN PLATING.
 - 2 : SAME AS -1 ONLY 0,8 μm Au.
 - 3 : SAME AS -1 ONLY 1,25 μm Au.
 - 4 : SAME AS -1.
 - 5 : SAME AS -2.
 - 6 : SAME AS -3.
 - 8 : SAME AS -2.
 - 1-1 : SAME AS -2.

WIRE RANGE :
AWG 26-22
 INSULATION RANGE :
ø1,2 MAX.

OBSOLETE	SEE NOTE 2	SEE NOTE 1	1-166811-1
			166811-8
OBSOLETE			166811-6
			166811-5
			166811-4
			166811-3
			166811-2
			166811-1
	FINISH	MATERIAL	PARTNUMBER

THIS DRAWING IS A CONTROLLED DOCUMENT.		DWN J.GIBBELS 03APR96	Tyco Electronics Corporation 's-Hertogenbosch, Nederland	
DIMENSIONS: mm		CHK R.V.LOKVEN	NAME	
TOLERANCES UNLESS OTHERWISE SPECIFIED:		APVD R.SMEETS	64 POS. BACK PANEL M.T. CONNECTOR	
0 PLC ± -		PRODUCT SPEC	SIZE A3	CAGE CODE 00779
1 PLC ± -		APPLICATION SPEC	DRAWING NO C-166811	RESTRICTED TO
2 PLC ± -		WEIGHT -	SCALE NTS	
3 PLC ± -		CUSTOMER DRAWING	SHEET 1 OF 1	REV L1
4 PLC ± -				
ANGLES ± -				
FINISH -				

- 3 COVER 826196-1 CAN BE USED.
- 4 CONNECTOR KIT ASS'Y 166811- AS DELIVERED CONSIST OF A 32 POS. SINGLE ROW CONN. ASS'Y AND A 2x32 POS. DUAL ROW CONN. ASS'Y.
- 5 PRINTED CAVITY-NUMBER ON FRONT AND ON REAR SIDE OF CONNECTOR.
- 6 CONNECTOR PRINTED WITH PARTNUMBER 166811-.