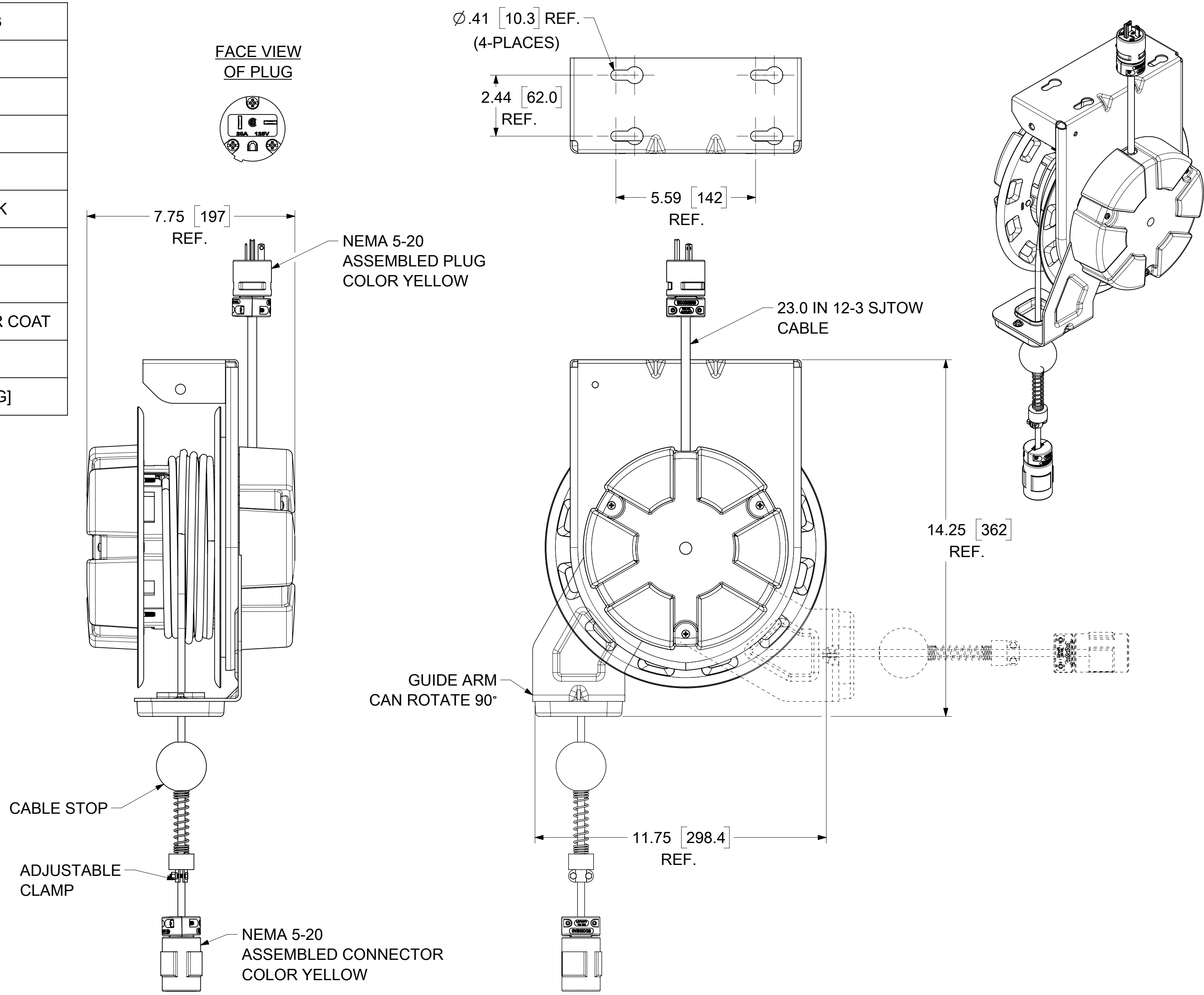


ORDER NO	130091-0203
WOODHEAD ENG. NO	998-1533
WIRE GAUGE	12
CONDUCTORS	3
AMPERAGE	20A
WORKING CORD	35 FT. BLACK
CORD TYPE	SJTOW
CONSTRUCTION	STEEL
PAINT	YELLOW POWDER COAT
REEL ENCLOSURE RATING	INDOOR
RETRACTION WEIGHT	3.0 LB [1.4 KG]



- NOTES:**
1. CABLE GUIDE IS ADJUSTABLE - DUAL POSITION
 2. RATCHET LOCK IS EASY TO DISENGAGE FOR CONSTANT TENSION.
 3. REEL CANNOT BE "LOCKED OUT" AT FULL TENSION.
 4. CABLE STOP INCLUDED

FUNCTIONAL SYMBOLS	THIS DRAWING CONTAINS INFORMATION THAT IS PROPRIETARY TO MOLEX ELECTRONIC TECHNOLOGIES, LLC AND SHOULD NOT BE USED WITHOUT WRITTEN PERMISSION		
	DIMENSION UNITS	SCALE	
$F_A = 0$	INCH/MM	NTS	
$F_C = 0$	GENERAL TOLERANCES (UNLESS SPECIFIED)		
$F_D = 0$		MM	INCH
DIVISIONAL SYMBOLS	4 PLACES	±	±
	3 PLACES	±	± 0.005
	2 PLACES	± 0.13	± 0.01
	1 PLACE	± 0.25	± 0.02
	0 PLACES	±	±
	ANGULAR TOL	± 0.5°	
DRAFT WHERE APPLICABLE MUST REMAIN WITHIN DIMENSIONS		THIRD ANGLE PROJECTION	DRAWING C-SIZE
		SERIES	130091
		CURRENT REV DESC:	RELEASE CUSTOMER DRAWING
		EC NO:	670504
		DRWN:	DSOPPIN 2020/06/17
		CHK'D:	DSOPPIN 2022/05/17
		APPR:	HKNEELAND 2022/06/09
		INITIAL REVISION:	
		DRWN:	KCOXO1 2015/07/30
		APPR:	JFMURPHY 2015/09/17
DOCUMENT NUMBER		DOC TYPE	DOC PART
SD-130091-013		PSD	001
REVISION		A1	
MATERIAL NUMBER		CUSTOMER	SHEET NUMBER
SEE TABLE		GENERAL MARKET	1 OF 1

molex

20A CORD REEL
35' #12-3 SJTOW NEMA 5-20 PLUG/CONNECTOR

PRODUCT CUSTOMER DRAWING