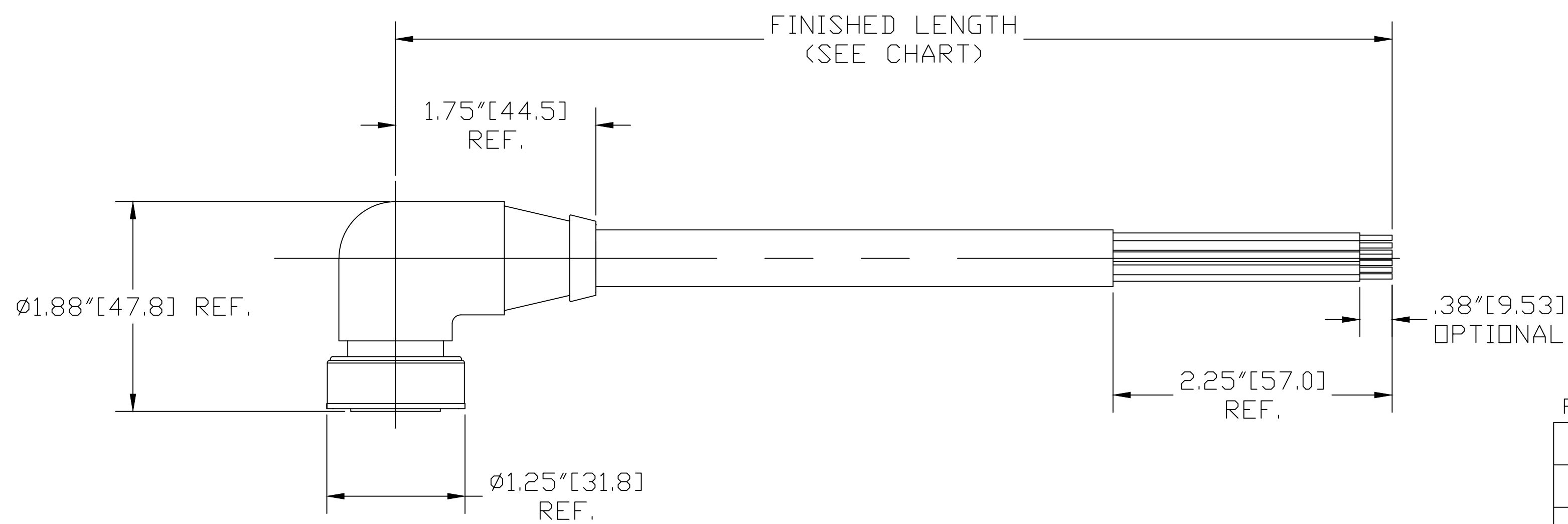


13	12	11	10	9	8	7	6	5	4	3	2	1
MATERIAL NUMBER		OLD PART NUMBER		FINISHED LENGTH								
130008-0476		302101P80M100		32.81' +12.50" -0 [10.0M +317.5mm -0]								



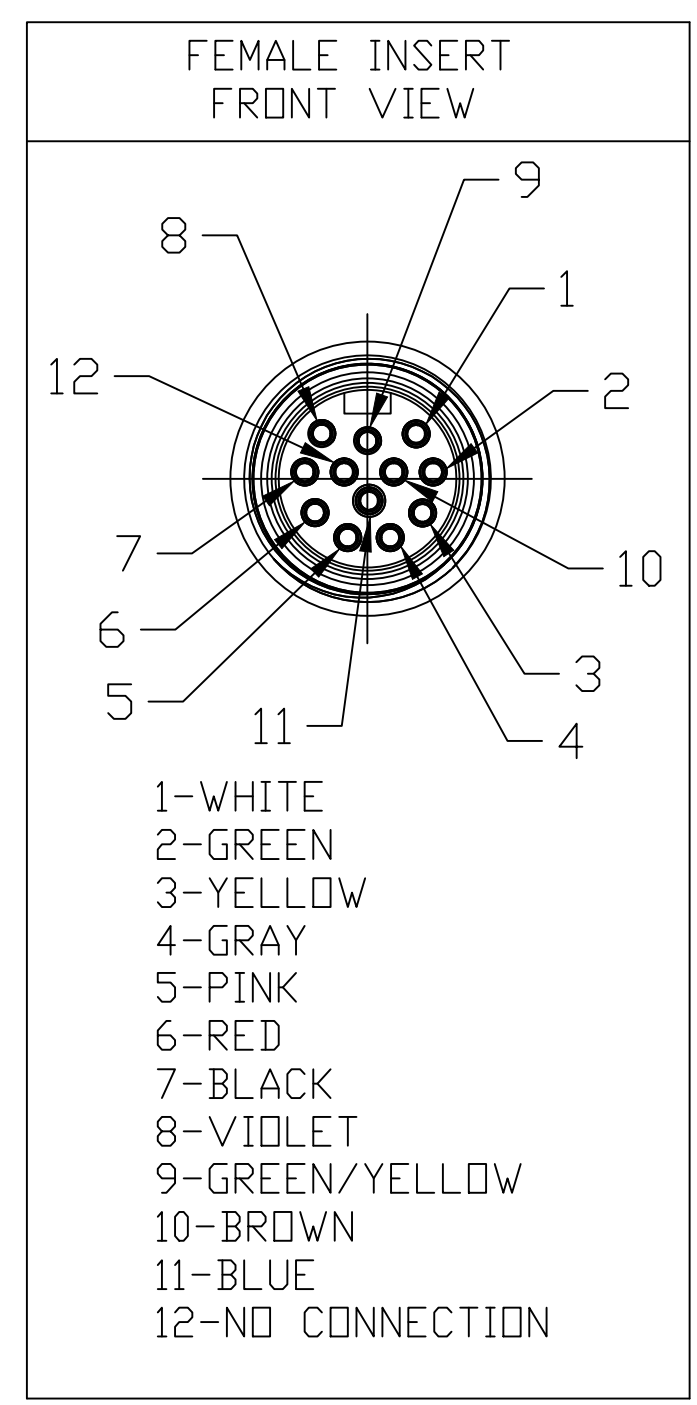
P1	
1	WHITE
2	GREEN
3	YELLOW
4	GRAY
5	PINK
6	RED
7	BLACK
8	VIOLET
9	GREEN/YELLOW
10	BROWN
11	BLUE
12	NO CONNECTION

302101P80M100

Wire type
18/22 AWG
Black PUR

cable length
M020----2 Meter
M100----10 Meter

CONTACT:	BRASS, GOLD PLATED
INSERT:	PVC, BLACK
COUPLING NUT:	ZINC DIE CAST, BLACK E-COATED
MOLDED BODY:	PVC, YELLOW
VOLTAGE RATING:	300 VAC/VDC
AMPERAGE RATING:	2 AMPS
PROTECTION:	IP67
OPERATING TEMPERATURE:	-20°C TO 105°C



WIRING DIAGRAM

INITIAL RELEASE EC NO.: IPG2013-1910 DRWN: EBRACKEN 2013/06/18 CHKD: RSTONE APPR: BWOODMAN 2013/08/14	QUALITY SYMBOL	GENERAL TOLERANCES (UNLESS SPECIFIED)	DIMENSION STYLE	SCALE	DESIGN UNITS	THIRD ANGLE PROJECTION
	▽=0 ∇=0		IN/MM	---	INCH	
	REV	A	4 PLACES ±--- ±--- 3 PLACES ±--- ±.005 2 PLACES ±0.13 ±.010 1 PLACE ±0.25 ±.020	DRAWN BY DATE EBRACKEN 2013/06/18	TITLE MINI-CHANGE ASSEMBLY 12 POLE/11W, FEMALE 90D #18/#22 PUR, DC COLOR	
			ANGULAR ±.5° DRAFT WHERE APPLICABLE MUST REMAIN WITHIN DIMENSIONS	CHECKED BY DATE RSTONE	MOLEX INCORPORATED	
			APPROVED BY DATE BWOODMAN 2013/08/14	DOCUMENT NO. SD-130008-022		
			MATERIAL NO. SEE CHART	SHEET NO. 1 OF 1		
			SIZE C	THIS DRAWING CONTAINS INFORMATION THAT IS PROPRIETARY TO MOLEX INCORPORATED AND SHOULD NOT BE USED WITHOUT WRITTEN PERMISSION		