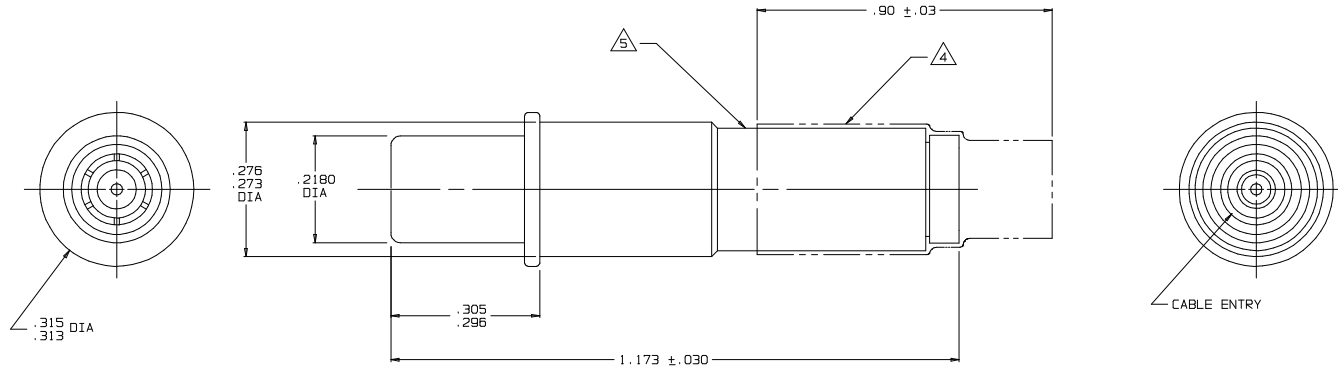


DATA CONTAINED IN THIS DOCUMENT IS PROPRIETARY TO TROMPETER ELECTRONICS, INC. AND SHALL NOT BE DISCLOSED, COPIED OR USED FOR PROCUREMENT OR MANUFACTURE WITHOUT EXPRESS WRITTEN PERMISSION.

REVISONS			3-0081		SH 1
REV	ED	DESCRIPTION	DWN	APPROVED	DATE
V	12605A	ADDED: -208, -223 AND ITEM 20; SEE ECD	DKC		

DASH NO	TWINAX CABLES ACCOMMODATED	A HEX	ASSEMBLE PER	DASH NO	TRIAx CABLES ACCOMMODATED	A HEX	ASSEMBLE PER
-201	M17-176-00002		TAI-132	-301	GC875GC1, GRUMMAN	.218	TAI-150
-202	TWC-78-1, TEI	.218					
-203	TWC-124-1A, TEI						
-204	10602, 10612, RAYCHEM						
-205	TWAC-78-1F2, TEI						
-208	2023927, MICRODOT	.218					
-217	GC875TM24H, GRUMMAN	.218					
-218	EPD22188B, RAYCHEM						
-221	10614, RAYCHEM OSA077-1, NORTHROP	.218					
-222	10613, RAYCHEM						
-223	HMS2-1149, HUGHES						

INCH	MM
.0010	0.03
.005	0.13
.030	0.76
.218	5.54
.257	6.53
.273	6.93
.276	7.01
.296	7.52
.305	7.75
.313	7.95
.315	8.00
.90	22.86
1.173	29.79



6. MATES WITH SPC8S

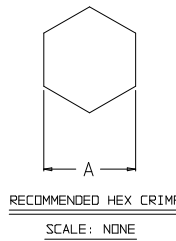
A NOT TO EXCEED .257 DIA AFTER HEX CRIMP

B DIA SHALL NOT EXCEED .276 OVER SEALING SLEEVE AFTER RECOVERY

3. SCOP PROOF CONTACT (SIZE 8) PIN FOR MIL-C-38999 SERIES I, III & IV MULTIPIN CONNECTORS (NOTE: -201 IS SIMILAR TO M39029/90-529)

2. FINISH: TFS-1B (.000050 GOLD)

1. ALL DIM ARE IN INCHES



QTY	DESCRIPTION	PART NUMBER	ITEM
TOL UNLESS SPECIFIED :XX ± :XXX ± .005 :XXXX ± .0010 ANGLES ±	TROMPETER ELECTRONICS, INC.	SPC8P	
DWN	DKC 1-12-99	MATERIAL	CODE IDENT
CHK		14949	DRAWING NO. 3-0081
ENGR			REV V
APPR		SCALE 6/1	DATE 2/21/93 SHEET 1 OF 2

NEXT ASSY