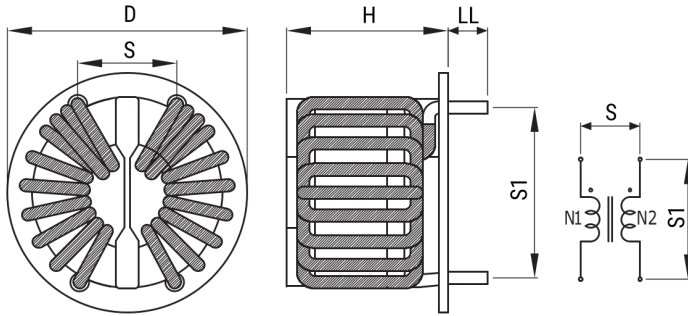


SC-10-E80JH

Aliases (UALSC10E80JH00)

KEMET, SC-JH, AC Line Filters, Common Mode, 8 mH



Click [here](#) for the 3D model.

Dimensions

D	53mm MAX
H	35mm MAX
LL	4.5mm +/-1.5mm
S	26mm NOM
S1	30mm NOM
Wire Size	1.4mm

Packaging Specifications

Packaging	Tray
Packaging Quantity	100
Component Weight	118.8 g

General Information

Series	SC-JH
Style	Through-Hole
RoHS	Yes
Notes	Lead Spacing (S/S1) Are For Reference Only.
Miscellaneous	Temperature Rise Maximum: 75 K.
Core	Mn-Zn Ferrite

Specifications

Voltage AC	250 VAC
Inductance	8 mH (10 kHz)
Current	10 A
Temperature Range	-25/+120°C
DC Resistance	40 mOhms