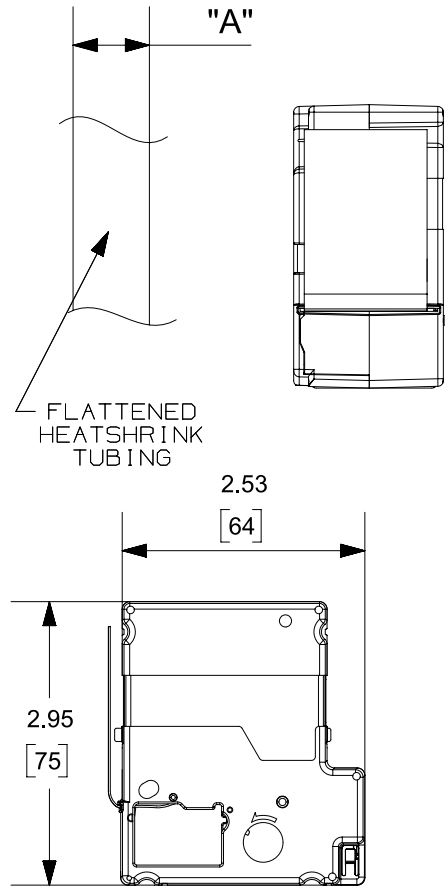


THIS COPY IS PROVIDED ON A RESTRICTED BASIS AND IS NOT TO BE USED IN ANY WAY DETRIMENTAL TO THE INTERESTS OF PANDUIT CORP.



CASSETTE PART NO.	TUBING COLOR	MATERIAL	Part Description	TUBING WIDTH "A" +/- 0.1[+/-2.6]	Diameter Range Min-Max	ROLL LENGTH
H000X025H1M	WHITE	GMHS31E	1/8" dia. 3:1 H.S. Polyolefin 22-16 AWG	.27 [6.8] REF	.055-.15 [1.4-3.8]	8.2' MIN 2.5 METER MIN
H000X025H2M	YELLOW					
H000X034H1M	WHITE	GMHS31ET	3/16" dia. 3:1 H.S. Polyolefin 18-12 AWG	.37 [9.3] REF	.075-.212 [1.9-5.4]	
H000X034H2M	YELLOW					
H000X044H1M	WHITE	GMHS31E	1/4" dia. 3:1 H.S. Polyolefin 16-8 AWG	.48 [12.3] REF	.095-.275 [2.4-7.0]	
H000X044H2M	YELLOW					
H000X064HPM	WHITE	GMHS21E	3/8" dia. 2:1 H.S. Polyolefin 8-2 AWG	.71 [18.0] REF	.221-.429 [5.6-10.9]	
H000X064HXM	YELLOW					
H000X084HPM	WHITE		1/2" dia. 2:1 H.S. Polyolefin 4-1 AWG	.87 [22.5] REF	.315-.539 [8.0-13.7]	
H000X084HXM	YELLOW					
H000X134HPM	WHITE		3/4" dia. 2:1 H.S. Polyolefin 1-250 MCM AWG	1.34 [34] REF	.433-.787 [11-20]	
H000X134HXM	YELLOW					

REV	DATE	BY	CHK	APR	DESCRIPTION	ECN
03	8/26/2021	JSUN	MSAD	BRJO	ADD 3:1 AND 2:1 SHRINK RATIO TO PART DESCRIPTION	080136/03
02	8/20/2021	JSUN	ALP	BRJO	ADDING 2:1 HST PART NUMBERS (GMHS21E); DIMENSION A TOLERANCE WAS +/-05 [+/-1.3]; ADD PART DESCRIPTION COLUMN; REMOVE 064H1M, 064H2M, 084H1M, 084H2M, 134H1M and 134H2M	080136/02
01	7/1/2020	JSUN	RGB	RGB	ADDING MATERIAL COLUMN	080136/01
0	4/21/2020	JSUN	RGB	RGB	DRAWING RELEASE.	080136/00

TITLE MP Printer Cassette, Continuous Heatshrink Tubing					
CUSTOMER DRAWING					
ITEM REVISION NAME 100743XS/03			PANDUIT		
DATASET FILE NAME 100743XS_DC/03					
UNLESS OTHERWISE SPECIFIED, DIMENSIONAL TOLERANCES ARE: IN [mm]					
.x ± .1 [2.54]		.xxx ± .025 [.635]		MATERIAL: SEE TABLE	
.xx ± .05 [1.27]		ANGLES ±		DRAWING NUMBER: 100743XS_DC	
DRAWN BY JSUN			DATE 4/21/2020		CHK RKB
SCALE NTS			THIRD ANGLE PROJECTION		
REV			DATE		SIZE A
BY			CHK		SIZE A
APR			DESCRIPTION		SIZE A
ECN			DESCRIPTION		SIZE A

D10100DA/20