

6

5

4

3

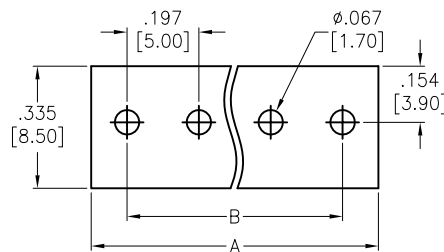
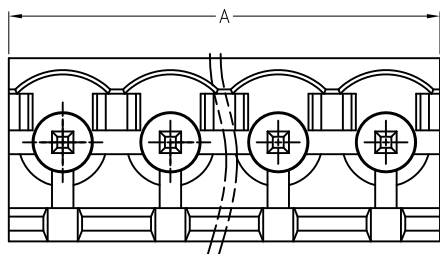
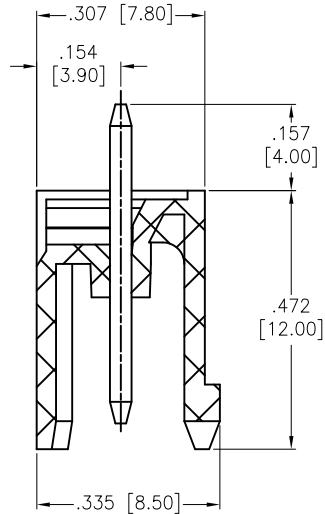
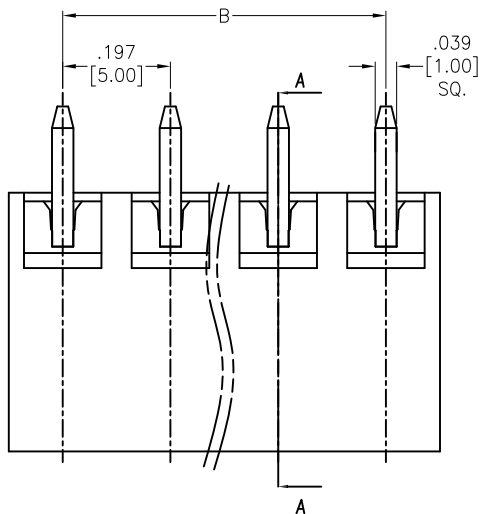
2

1

APPROVED: _____

DATE: _____ TITLE: _____

Rev	AWO #	Description	Date	Appr
-		RELEASED	11/7/13	
A		UPDATED DRAWING	9/25/18	HR/DH



RECOMMENDED PCB LAYOUT

Positions: 02 thru 24

A = .197 [5.00] x No. of Positions

B = .197 [5.00] x No. of Spaces

SPECIFICATIONS:

Material:
 Insulator: PA66, rated UL 94V-0
 Insulator color: Green
 Contact: Brass, Tin plated.
 Electrical:
 Operation voltage: 300 VAC max
 Current rating: 15 Amps
 Contact resistance: 20 mohms max
 Insulation resistance: 500 Mohms min @ 500 VDC
 Dielectric withstanding voltage: 2,000 VAC for 1 minute
 Temperature Rating:
 Operating temperature: -40°C to +105°C
 Environmental:
 Lead free, RoHS compliant.



UNLESS OTHERWISE SPECIFIED ALL DIMENSIONS ARE INCHES [MM] TOLERANCES: EXCEPT AS NOTED			
INCHES		HOLES	
.X ± .10	∅X ± .10		
.XX ± .020	∅XX ± .015		
.XXX ± .015	∅XXX ± .010		
APPROVALS		DATE	
DRAWN	AY	11/7/13	
CHECKED	NP	11/7/13	
APPROVED			

ADAM TECH
INTERCONNECTS
 909 Rahway Avenue,
 Union, NJ 07083
 Phone: 908-687-5000
 Fax: 908-687-5710

TITLE
EURO BLOCK, .197 [5.00] PITCH, VERTICAL

SIZE X	PART NO. EBPA-XX-C	REV. A
REF: S00067C	SCALE: NTS	SHEET 1 OF 1

6

5

4

3

2

1